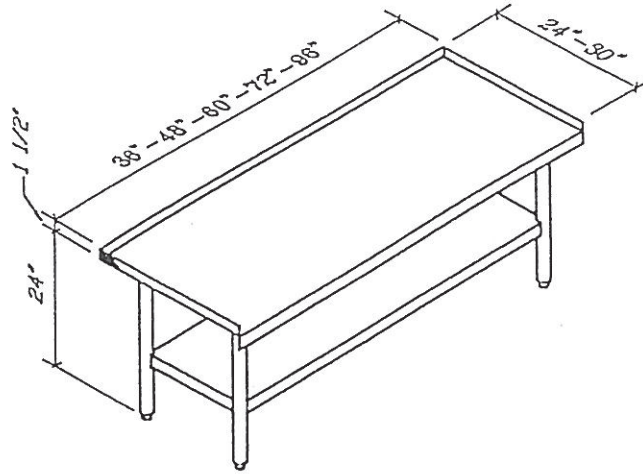


GRIDDLE STANDS



24" WORKING HEIGHT

MODEL	SIZE
EGS-2436	24" X 36"
EGS-2448	24" X 48"
EGS-2460	24" X 60"
EGS-2472	24" X 72"
EGS-2496	24" X 96"
EGS-3036	30" X 36"
EGS-3048	30" X 48"
EGS-3060	30" X 60"
EGS-3072	30" X 72"
EGS-3096	30" X 96"

TOP: Heavy gauge stainless steel
 UNDERSHELF: 18 gauge galvanized steel
 GUSSET: Socket type
 SIDES & BACK: Turned up 90° - 1-1/2". Corners to be welded and blended.
 SUPPORT: Hat channel
 LEGS & FEET: 1-5/8" O.D. galvanized legs and adjustable bullet feet.

Your Solutions Partner

