

# PATRIOT®

## FMGR-36/NG Specifications 36" Gas Range

Patriot's Gas Ranges are constructed of a stainless steel front, backriser, shelf and feet. Each 30,000 BTU burner has its own 12"x12" removable cast iron grate with standing pilot light and individual control knob for quick, instant lighting. The oven has a total BTU output of 30,000 BTU/hr. The interior of the oven is constructed of all steel with a porcelain oven liner. The oven thermostat adjusts from 250°F-550°F and is equipped with a flame failure safety device. 5" casters and 24.75" high backriser. ¾" rear NPT gas connection.



This item meets the sanitation standards imposed by the ETL, a division of the Intertek Group.

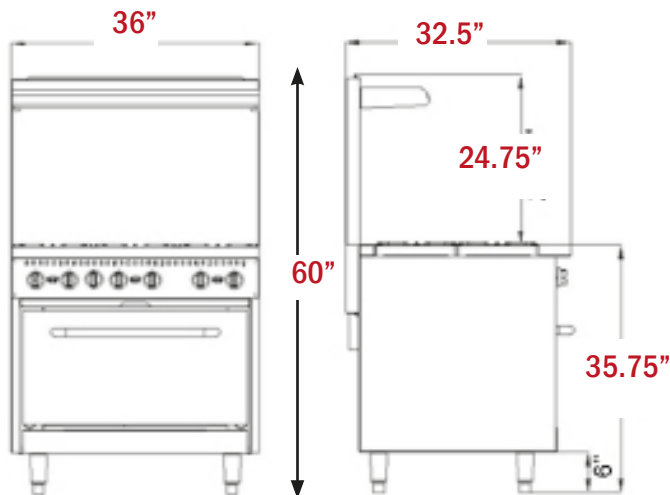


This item meets the electrical product safety standards imposed by the ETL, a division of the Intertek Group, for use in the United States and Canada.



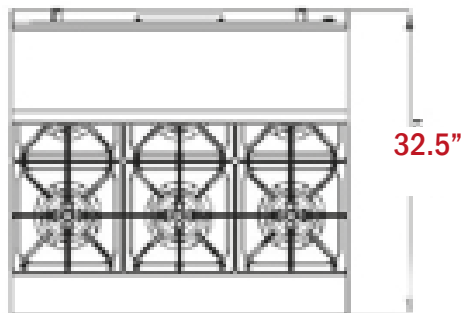
FMGR-36/NG

### Plan Views



FRONT VIEW

SIDE VIEW



TOP VIEW

### Features

- 30,000 BTU/hr total output
- Flame failure safety device
- Adjustable thermostat from 250°F-550°F
- Steel liner on door and sides with a porcelain oven liner
- Includes 2 removable and adjustable oven racks
- Cool to touch stainless steel oven door handle
- 30,000 BTU/hr top burners with lift-off heads
- 12" x 12" cast iron removable top grates
- Individual pilot light for each burner
- Spring loaded door with cool to touch s/s handle
- Removable crumb tray for easy cleaning
- 5" casters
- LPG conversion kit included

### Specifications

Model Number	FMGR-36/NG
Total BTU/hr	210,000 BTU
Overall Dimensions (in)	60"H x 36"W x 32.5"D
Oven Cavity Dimensions	14"H x 26.75"W x 26"D
Temperature Range	250°F - 550°F
Net Weight (lbs)	390 lbs
Gross Weight (lbs)	456 lbs
Fit Full Size Pan	Yes
Crumb Tray	1
Burners	6

PATRIOT warrants this product to be free of defects in materials and workmanship for period of 3 years from the date of original installation.