

PATRIOT®

Full Size Gas Convection Oven

FMCOF-54/NG
FMCOF-54/LPG

Patriot's Full Size Gas Convection Oven is ideal for any high volume restaurant or food service establishment. Constructed of stainless steel, this oven operates with a forced air, two speed fan motor system with a cool down feature. The interior of the oven has a 10 position rack guide and fits full size sheet pans. Electronic controls featuring a 60 minute timer and manual temperature knob. The double pane glass doors have an interlock switch that automatically turns the fan and burners off when they are opened. Includes steel legs with a powder black finish and casters.

Construction

- All stainless steel construction
- Double pane thermal glass windows on doors
- Steel legs with a powder black finish and casters
- Doors have an interlock switch that automatically turns the fan and burners off when open
- 3/4" rear NPT gas connection

Oven Features

- Oven interior measures 28.25" x 21.5" x 20"
- 1/4 HP two speed fan motor
- Cooking chamber is lined with porcelain enamel
- A 10 position guide rack with 1.5" spacing in between
- Includes 5 heavy duty adjustable chrome plated racks
- Seamless interior and corners for easy cleaning

Electronic Controls

- 120V, 60hz controls for oven
- Temperature range from 150°F - 550°F
- 60 minute continuous ring timer with manual shut off
- Temperature ready indicator light
- 6' Power cord with NEMA 5-15 Plug

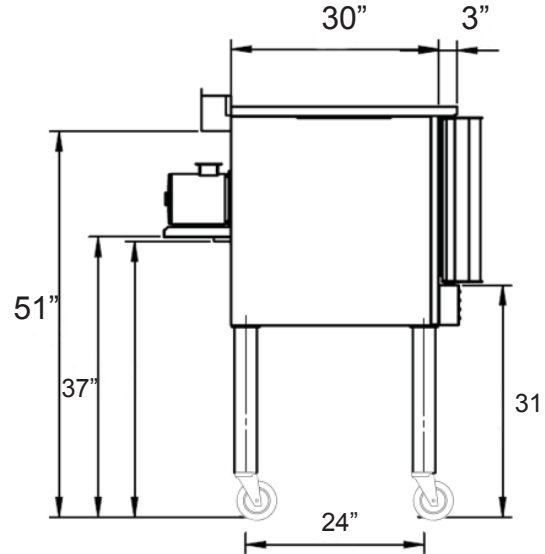
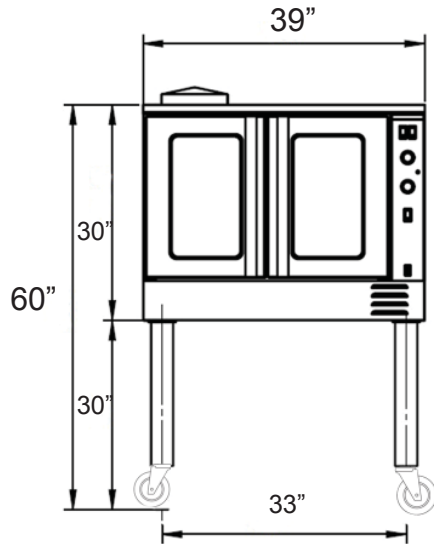
Legs

- 32" long Steel legs with a durable powder black coating
- Includes casters



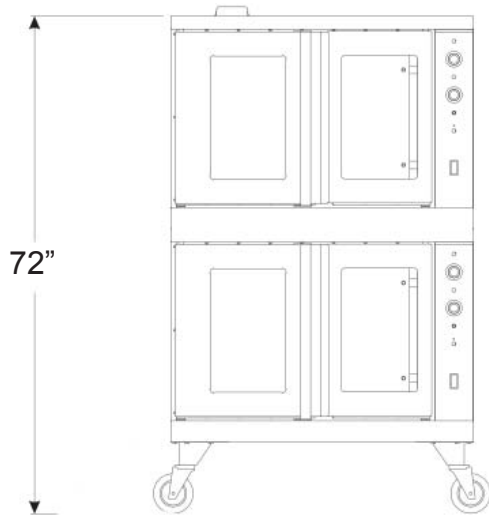
Patriot warrants this product to be free of defects in materials and workmanship for a period of 3 years from the date of original installation.

Plan View



Double Stack

- This oven can be double stacked to increase the amount of cooking space while keeping the same size footprint
- Stacking kit sold separately



Specifications

Model Number	Description	Total BTU	Gross Weight	Net Weight
FMCOF-54/NG	Full Size Gas Convection Oven NG	54,000	579 lbs	403 lbs
FMCOF-54/LPG	Full Size Gas Convection Oven LPG	54,000	579 lbs	403 lbs

Model Number	Overall Dimensions	Interior Dimensions	Racks	Volts*	Temperature Range
FMCOF-54/NG	30"D x 39"W x 60"H	28.25" x 21.5" x 20"	5	120V	150°F - 550°F
FMCOF-54/LPG	30"D x 39"W x 60"H	28.25" x 21.5" x 20"	5	120V	150°F - 550°F

*For electronic controls