

# ALFA POWER ATTACHMENTS

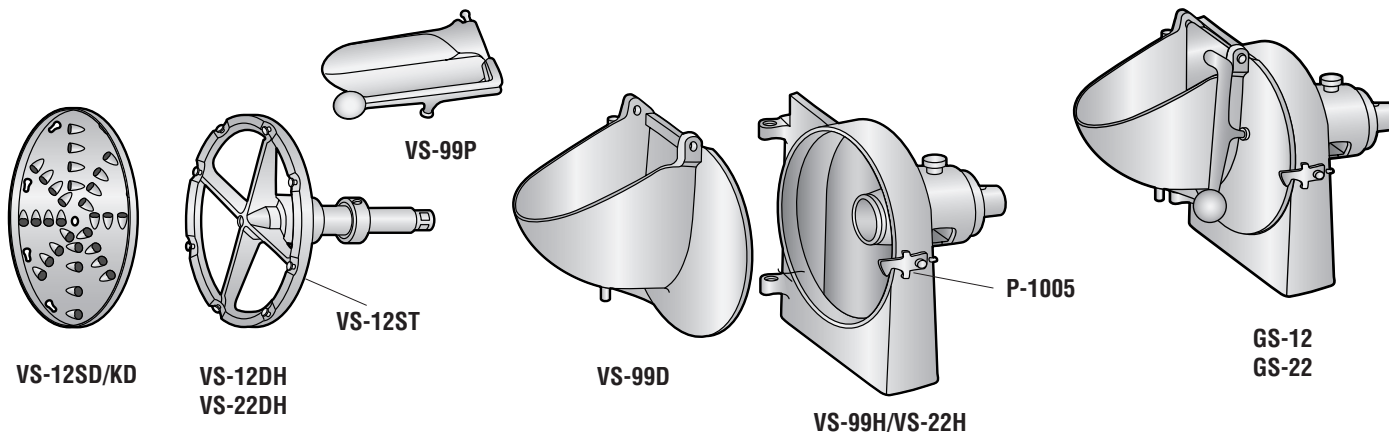
## GRATER / SHREDDER ATTACHMENTS FOR HOBART

**NOW AVAILABLE  
IN #22 HUB SIZE!**

**#12 and #22 Power Hubs for Mixers,  
Grinders, Food Cutters and Power Drives**



Precision machined of polished aluminum. Hopper door has safety latch. Unit is easily disassembled. Shredding discs are available in a variety of hole sizes (see below). All discs are stainless steel and easily installed and removed from the disc holder. Can be used with mixers, meat choppers, food cutters and power drives with #12 or #22 power hubs. NSF listed.



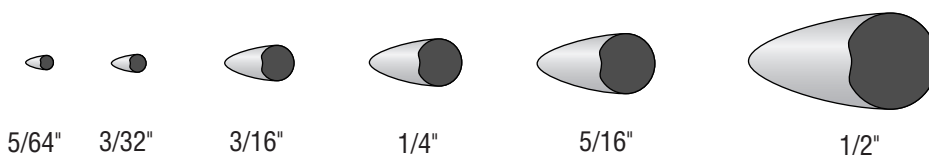
**WORK SAFE - ALWAYS USE A PUSHER WITH THESE UNITS**

ALFA #	HOBART #	DESCRIPTION	WEIGHT
GS-12	VS9	#12 Grater/Shredder Attachment Complete with 3/16" Disc	20 lbs.
GS-22	VS9-22	#22 Grater/Shredder Attachment Complete with 3/16" Disc	20 lbs.
VS-99P	69316	Pusher/Feed Plate (May not fit some Hobart Doors)	2 lbs.
VS-99D	295669	Door/Hopper with Pins (Some Hobart Pusher Plates may not fit)	4 lbs.
VS-99H	83486-1	#12 Back Housing with Brass Bushing and Safety Latch	9 lbs.
VS-22H	24634-1	#22 Back Housing with Brass Bushing and Safety Latch	9 lbs.
VS-12DH	ML-16225-Z	#12 Disc Holder (Can be replaced with VS-12KDS)	5 lbs.
VS-22DH	ML-16226-Z	#22 Disc Holder (Can be replaced with VS-22KDS)	5 lbs.
VS-12ST	N/A	Disc Holder Studs (May not fit Hobart Disc Holder)	0.1 lb.
P-1005	N/A	Door Latch for VS-99H/VS-22H (With adjusting Set Screw)	1 lb.
VS-12SD- (Size)	77045 + (Size)	SS Shredding Disc made in Taiwan (In sizes shown below)	1 lb.
VS-12GD	77049	SS Universal Grater Disc made in Taiwan	1 lb.
KD- (Size)	N/A	SS Shredding Disc made in Germany (In sizes shown below)	1 lb.
KD-GD	N/A	SS Universal Grater Disc made in Germany	1 lb.

Size 12 Hub is 9/16" square.

Size 22 Hub is 3/4" square.

**Stainless steel Shredder Disc hole sizes (not drawn to scale)**



SS Grater Disc



**For Hard  
Cheese only**

The above parts are sold by Alfa International as replacement parts for Hobart Mixers. Alfa is not affiliated with Hobart.

