



Excalibur® Products
 8250 Ferguson Avenue
 Sacramento, CA 95828
 Phone (800) 875-4254
 Fax (916) 381-4256
 www.ExcaliburDehydrator.com

Project Name: _____

Location: _____

Item #: _____ Qty: _____

Model: _____

#22 ELECTRIC MEAT GRINDER

Model: EPMG22

International Model: Add -50 (220V/50Hz/1Ph)

International Model: Add -60 (220V/60Hz/1Ph)



GRINDS UP TO 11-13 LBS. OF MEAT PER MINUTE

This powerful 750 Watt grinder makes meat processing quicker and easier. The removable meat tray holds a generous amount of meat to simplify processing. To meet just about every standard meat grinding need there is, Excalibur's EPMG22 Meat Grinder includes a full set of accessories:

- 1 Extra Coarse Grinding Plate
- 1 Coarse Grinding Plate
- 1 Medium/Fine Grinding Plate
- 1 Stainless Steel Grinding Knife
- 3 Sausage Stuffing Funnels
- 1 Snack Stick Funnel
- 1 Stuffing Star
- Plastic Pusher
- Meat Tray
- Downspout

TECHNICAL DATA

GRINDING PLATES DIAMETER	Extra Coarse 25/64in, 10mm Coarse 3/8in, 7mm Medium/Fine 3/16in, 4.5mm
VOLTAGE	120V/60Hz 220V/50Hz/1ph (intl) 220V/60Hz/1ph (intl)
GRINDER SPEED	110 +/-10%
GRIND CAPACITY	11-13 lbs Per Minute
POWER (HP)	1HP
POWER (Watts)	750

ELECTRIC

- 120v/60H) , NEMA 5-15P
 - 5-1/2 ft power cord and plug set
- Also available:
- 220v/50Hz or 220v/60Hz



An appropriate Int'l Cord Set and plug to be provided when specified on the order. If no Cord Set or Plug is specified, NEMA 5-15P is the default.

ADDITIONAL FEATURES

- Stainless steel motor housing
- Metal gears with roller bearings
- Downspout included



Intertek
 Certified to
 ANSI-NSF 8



Intertek
 Certified to
 ANSI UL 763

General WARRANTY (USA / CANADA)

One (1) year parts
 One (1) year on-site labor
 Administered by The Legacy Companies, 877.368.2797
 Warranty is limited to a period of one (1) year from the date of original installation or 15 months after shipment date from The Legacy Companies, whichever occurs first.

Product design and specifications are subject to modification by manufacturer without prior notice.

The built in performance enhancing functions ensure that given proper attention and preventative maintenance, each Excalibur® product will deliver years of trouble free, reliable, low maintenance, efficient operation.

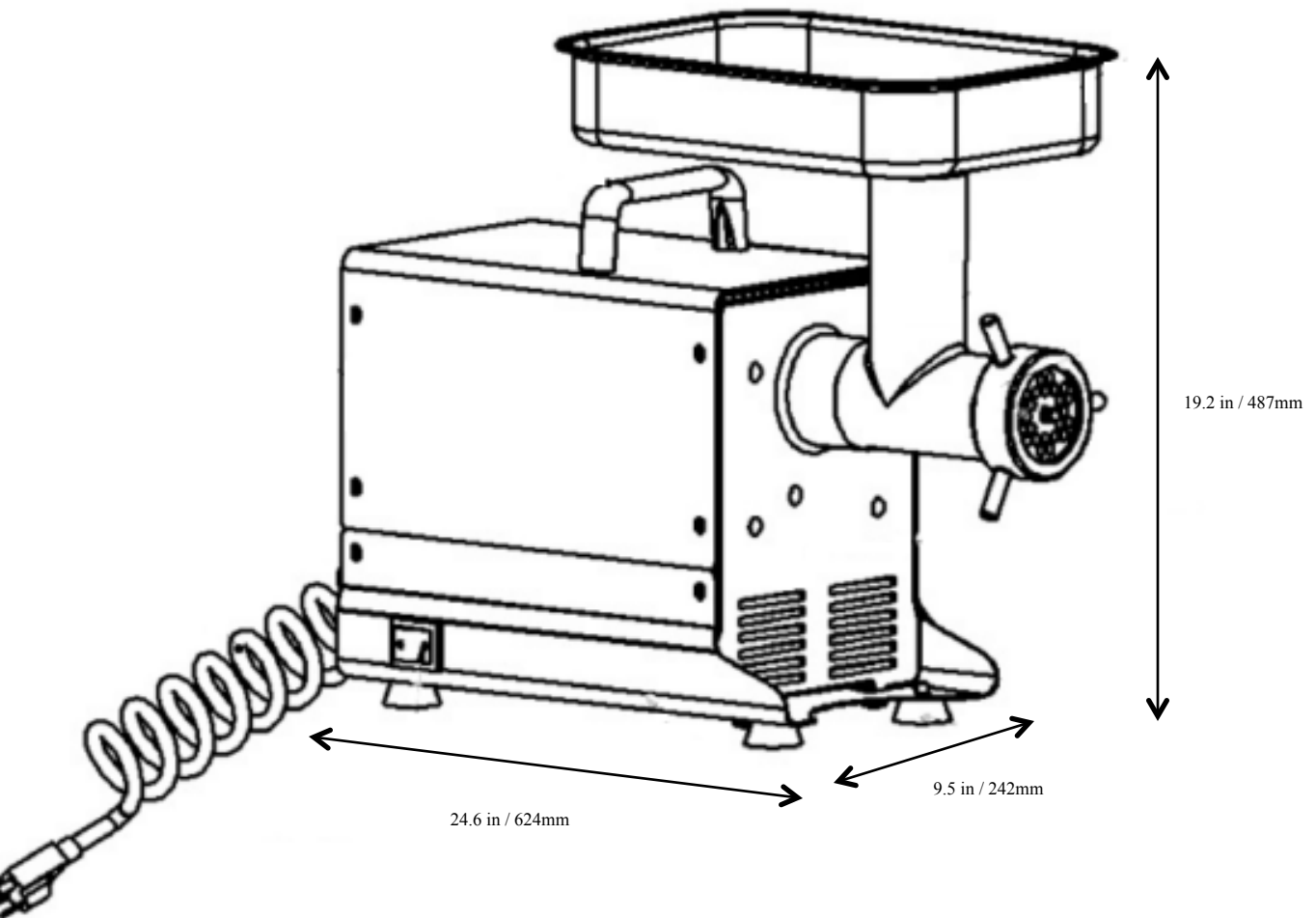
042717-WS



Excalibur® Products
8250 Ferguson Avenue
Sacramento, CA 95828
Phone (800) 875-4254
Fax (916) 381-4256
www.ExcaliburDehydrator.com

Project Name: _____
Location: _____
Item #: _____ Qty: _____
Model: _____

#22 ELECTRIC MEAT GRINDER



DIMENSIONS 24.6" x 9.5" x 19.2" / 624 x 242 x 487mm

SHIP DIMENSIONS 25.4" x 12" x 19.7" / 645 x 305 x 500mm

NET WEIGHT 61.29 lb / 27.8 kg

SHIP WEIGHT 65.70 lb / 29.8 kg

Product design and specifications are subject to modification by manufacturer without prior notice.

The built in performance enhancing functions ensure that given proper attention and preventative maintenance, each Excalibur® product will deliver years of trouble free, reliable, low maintenance, efficient operation.