



SENTINEL™

COMMERCIAL

Project Name:	
Location:	
Item:	Qty.:
Model:	

SMW1000D



SMW1000D

Dial Control Microwave

Commercial microwave oven. Including heavy duty metal handle and durable interlock system. Stainless steel body and cavity, cavity size 1.0 cubic foot. Dial Control. LED display. With UL, and ETL approvals. Voltage 120/60/1, 220/50/1, 220/60/1

FEATURE LIST

Model:	SMW1000D
Cavity Size:	1 cu. ft.
Electrical:	120/60/1, 220/50/1, 220/60/1
Power Output:	1000 Watts
Power Consumption:	1500 Watts
Power Levels:	1
Interior/Exterior:	Stainless Steel
Control Method:	Dial
Display:	LED Lighted Display
Approvals:	UL/ETL
Net/Shipping Weights:	40 lbs. / 42 lbs.
Dimensions:	20" (W) x 12" (H) x 14" (D)



Specifications subject to change without notice.

Approvals:

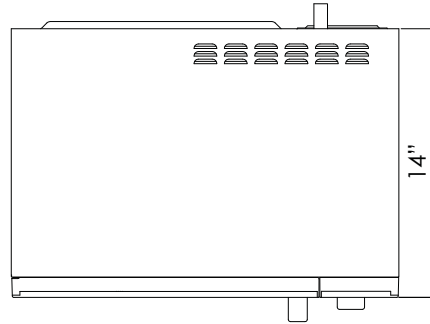


SENTINEL™

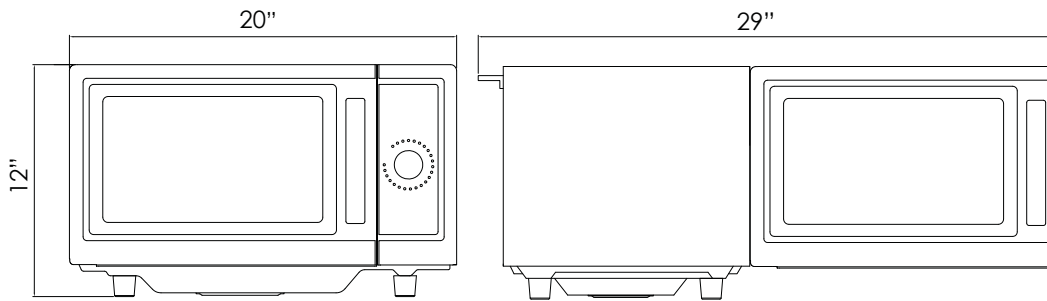
PLAN VIEW

SMW1000D

Dial Control Microwave



TOP VIEW



FRONT VIEW

SIDE VIEW(door open)

Dimensional Data

Model	Cavity Size	Electrical	Power Output	Power Consumption	Power Levels	Interior/ Exterior	Control Method	Display	Approvals	Net/ Shipping Weights	Dimensions
SMW1000D	1 cu. ft.	120/60/1, 220/50/1, 220/60/1	1000 Watts	1500 Watts	1	Stainless Steel	Dial	LED	UL/ETL	40 lbs. / 42 lbs.	20" (W) 12"(H) 14"(D)

Semi-commercial microwave oven. Including heavy duty metal handle and durable interlock system. Stainless steel body and cavity, cavity size 1.0 cubic foot. Digital

Dial Control. LED display. With UL, and ETL approvals. Voltage 120/60/1, 220/50/1, 220/60/1

