



Project Name:	
Location:	
Item:	Qty:
Model:	

BC120

ICE MAKER - SELF CONTAINED



FEATURES

ICE PRODUCTION

Air Temp 70°F (21°C) Water Temp 50°F (10°C)
 Daily Ice Production: 120 lbs (54.4kg)
 Energy Consumption 11.3Kw/100lb of ice produced
 Water Usage 22 gallon/100lb of ice produced

Air Temp 90°F (32°C) Water Temp 70°F (21°C)
 Daily Ice Production: 97 lbs (44kg)

Storage Bin holds 35lbs of ice with automatic overflow prevention
 Gravity Drain connection is required, along with a water supply line.

OPERATING REQUIREMENTS

Ambient Temperature Range 50° to 99°F (10° to 37°C)
 Water Temperature Range 40° to 90°F (4° to 32°C)
 Water Supply Line Connection 3/8" FPT
 Water Pressure Range
 Min PSI 15 Max PSI 75 (above 75 requires a regulator)
 Min Bar 1.0 Max Bar 5.5

FEATURES and CONSTRUCTION





Exterior Material: Stainless Steel with Black Trim
 Air Cooled Compressor
 Programmable, solid state, digital electronic control system.
 Built-In Self Cleaning Mode for use with nickel safe cleaning solution
 Includes: Scoop
 Tubing for Supply and Drain Lines
 NEMA 5-15 cord set for simple installation

*A Water filter is recommended for a more efficient operation with less required maintenance and cleaning.
 * 3rd Party Approvals: ANSI NSF 12, ANSI UL 563 & DOE2017

FEATURES

Self contained ice maker for freestanding or built in undercounter applications. Can produce up to 120 pounds of ice per day (under the right conditions). Includes an integrated 35 pound storage bin with lift up insulated plastic cover. Stainless steel construction provides durability to a unit that is low-maintenance and easy to clean. Front breathing design provides cooling air to the condensing unit. Vertical evaporator and proven ice making technology assures years of reliable ice production. The BC120 comes with a NEMA 5-15 cord set so it's installation only requires the hookup of a water supply and drain.

Berg's continuing commitment to quality products may mean a change in specification or pricing without notice.

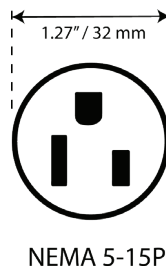
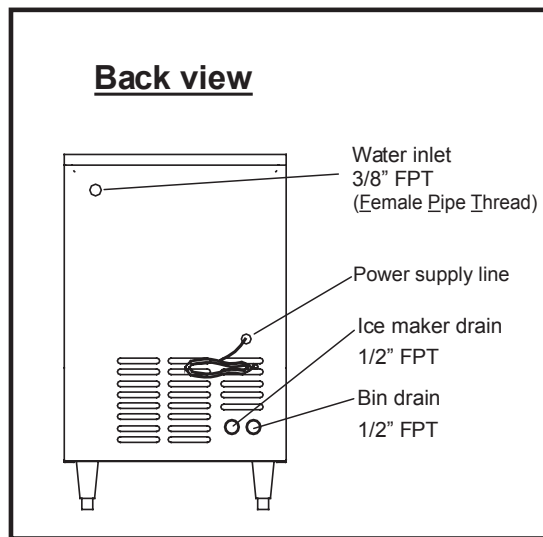
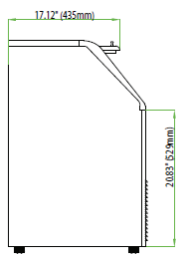
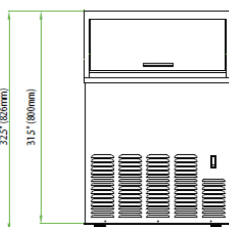
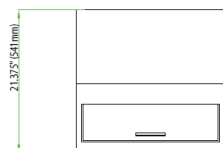
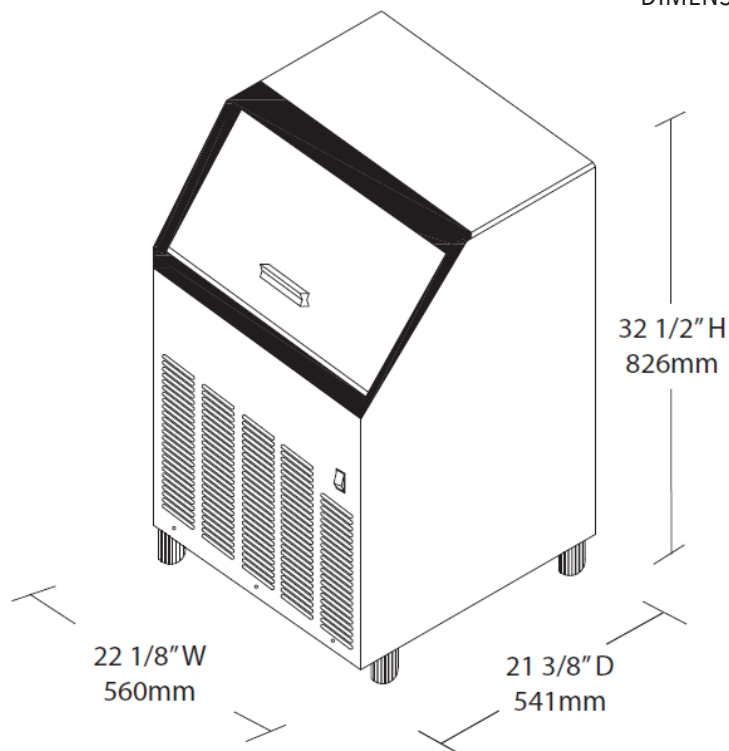
   	Specifications subject to change without notice.
	Approvals: ANSI-NSF 12, ANSI UL 563, DOE2017



BC120

ICE MAKER - SELF CONTAINED

DIMENSIONS



REFRIGERANT:

CFC & HCFC free R-134-A

ELECTRIC SERVICE:

120V/60Hz/1 Ph (NEMA 5-16P)

(220V/50 or 60Hz/1 Ph available as an option)



Ice Size: Full Slab

Inches: 7/8 x 7/8 x 7/8

mm: 22.2 x 22.2 x 22.2

Model	Dim (W"xD"xH")	Ice Type	Production Capacity	Amps	Ice Size (W"xD"xH")	Weight	Water Consumption (gal/100lb ice)
BC120	22.125 x 21.375 x 32/5 560 x 541 x 826mm	Full Slab	120 lb/54 kg PER DAY	11.8	7/8 x 7/8 x 7/8 22.2 x 22.2 x 22.2mm	110 lb 50 kg	22