



Project Name:	
Location:	
Item:	Qty:
Model:	

BC-600

## ICE MAKER - SELF CONTAINED



(Shown on bin, model BB-400, which is not included.)  
 Model BB-400 dimensions:  
 30" W x 31.5" D x 40" H  
 762mm W x 800mm D x 1016mm H

FEATURES	
Model:	BC-600
Description:	Modular Ice Maker
Voltage:	230/60/1 or 220/50/1
Amps:	18.9
Ice Type:	Slab Cube
Ice Cube Size:	.875" x 1" x .75" 22mm x 25mm x 19mm
Power Consumption:	9.4kWh / 100lbs of ice
Unit Weight:	155 lb / 70 kg
Unit Dimensions:	30" W x 24" D x 21" H 762mm W x 610mm D x 533mm H
Shipping Weight:	165 lb / 75 kg
Shipping Dimensions:	32" W x 26" D x 28" H 813mm W x 660mm D x 711mm H

### FEATURES

The BC-600 is an extremely reliable and efficient commercial ice maker that produces up to 700 pounds of ice per day. Stainless steel construction provides durability to a unit that is low-maintenance and easy to clean. The unit produces clear ice cubes that work great for applications in restaurants, bars, hotels, grocery stores, and more. Stackable with optional kit. This model is CE, NSF and UL approved for commercial use.

- Up to 700 lb (318 kg) daily ice production (based on 50/70° F)
- Produces clear ice cubes
- Stainless steel exterior
- Advanced electronic controls
- Easy to use automatic cleaning setting
- Air-cooled condenser
- Stackable with optional kit
- Designed for commercial use
- Easily mounted on ice bins (ice bin not included)
- Requires use of a drain. Water filter recommended.

Berg's continuing commitment to quality products may mean a change in specification or pricing without notice.

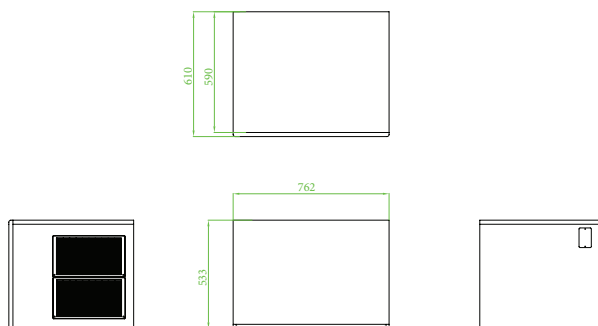
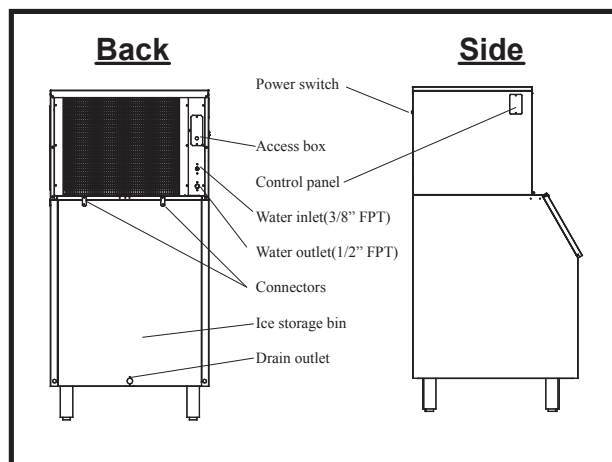
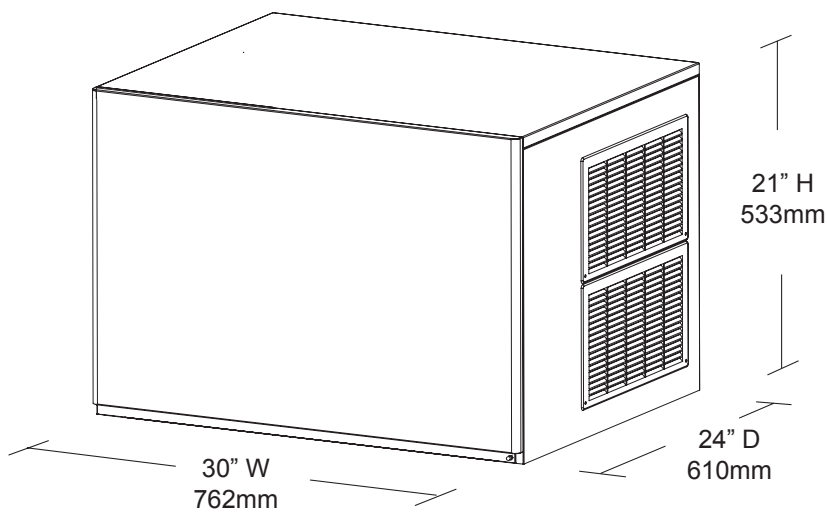
	Specifications subject to change without notice.
	Approvals: CE, UL, NSF approved



BC-600

ICE MAKER - SELF CONTAINED

DIMENSIONS



Model	Dim (W"xD"xH")	Ice Type	Capacity	Amps	Ice Size (W"xD"xH")	Weight	Water Consumption (gal/100lb ice)
BC-600	30 x 24 x 21 762x610x533mm	Slab Cube	700 lb/318 kg PER DAY	18.9	.875 x 1 x .75 22x25x19mm	155 lb 70 kg	16