



# COMMERCIAL MIXERS

# GEM110 10 Quart Mixer

Project Name:

Location:

Item:

Qty.:

Model:



**GEM110**  
10 Quart Mixer

## FEATURE LIST

|                |                              |
|----------------|------------------------------|
| Model:         | GEM110                       |
| Description:   | 10 Quart Mixer               |
| Voltage:       | 120/60/1, 220/50/1, 220/60/1 |
| Rated Power:   | 0.5 hp                       |
| Bowl Capacity: | 10 qt                        |
| Speed:         | 91/200/330 R/MIN             |
| Weight:        | 166 lb                       |

These all-purpose mixers use a planetary mixing action that consistently blends, mixes and aerates all ingredients with satisfactory results. The heat treated carbon steel gears deliver energy at three pre-selected fixed speeds. Each mixer comes standard with a stainless steel bowl, flat beater, spiral dough

hook, and wire whip. The stainless steel wire front bowl guard opens easily for adding ingredients. The bowl guard magnetic lock prevents the mixer from running if guard is opened or the bowl is lowered. The switches are moisture resistant. All units come with an overload switch which protects the motor.



Specifications subject to change without notice.

Approvals:

### GENERAL

3355 Enterprise Ave • Suite 160 • Ft. Lauderdale, FL 33331

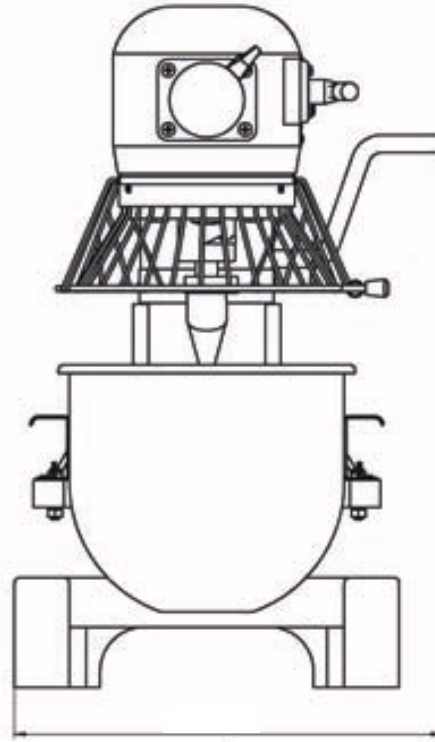
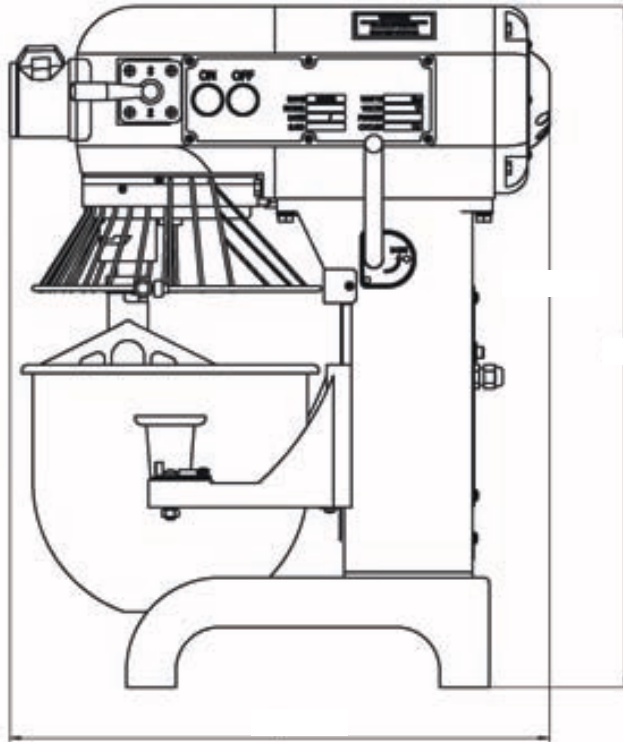
Tel: 954.202.7419 • Fax: 954.202.7337 • [www.generalfoodservice.com](http://www.generalfoodservice.com)

General Foodservice's continuing commitment to quality products may mean a change in specification or pricing without notice.



# PLAN VIEW

10 Quart Mixer



16.14in.

25in.

|        |       |                  |        |  |  |  |
|--------|-------|------------------|--------|--|--|--|
|        |       |                  |        |  |  |  |
| 0.5 hp | 10 qt | 91/200/330 R/MIN | 166 lb |  |  |  |

- Mixer has a 3 speed, 0.5 hp, totally enclosed and permanently lubricated, thermally protected motor. Electrical specs 120/60/1, 220/50/1, 220/60/1, 15amp. Speed 91/200/330R/min
- Heat treated carbon steel gears fully sealed allow durability and dependability with quiet operation.
- 3 Pre-selected, fixed speeds.
- 2 year parts & 1 year labor warranty

- Manual bowl lift is lever operated and self locking in top position.
- #12 Taper hub front port.
- Spiral Dough Hook, Flat batter beater, and wire whip.
- Bowl guard with magnetic lock prevents the unit from running if guard is open.
- Overload Switch on all mixers.
- Switches are moisture resistant.

**GENERAL**