



Hi-Power Blender Series

MX1000XT/MX1000XTP/MX1000XTS

Features

- Heavy-duty 3.5 peak input HP motor
- 45,000 RPM (bare motor speed)
- Great for smoothies, bar drinks, soups, salsas, sauces, desserts, dressings and more
- Simple High, Low, Off and Pulse paddle switches
- One-piece dishwasher-safe removable jar pad
- Sound enclosures available for quiet operation (SE500/SE1000)



MX1000XT





Xtreme Hi-Power Blender Series



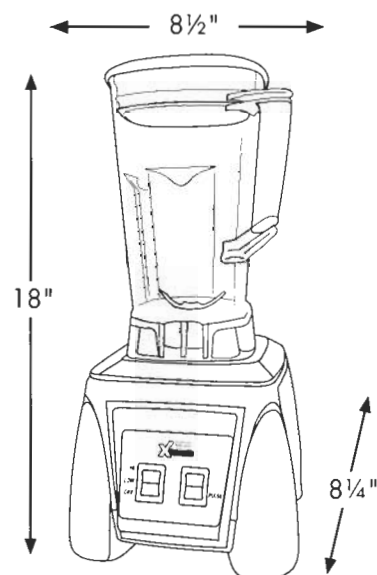
MX1000XT/MX1000XTP/MX1000XTS

Specifications

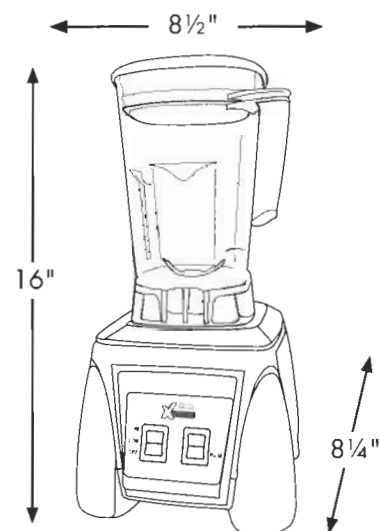
Item	Electrical	Listings	RPM (bare motor)	Dimensions (H" x W" x D")	Warranty
MX1000XT/ MX1000XTS	120 Volt, 13 Amp, 50/60 Hz	ETL,NSF	45,000	18"x8½"x8¼"	Limited 3 Year Motor and 2 Year Parts and Labor
MX1000XTP	120 Volt, 13 Amp, 50/60 Hz	ETL,NSF	45,000	16"x8½"x8¼"	Limited 3 Year Motor and 2 Year Parts and Labor

Ordering Information

Description	Catalog #	Std Pkg.	Ship Wt. (Lbs.)	Cubic Feet	UPC Code
Xtreme Hi-Power Blender with 64 oz. Polycarbonate Container	MX1000XT	1	15.0	0.92	040072006661
Xtreme Hi-Power Blender with 48 oz. Polycarbonate Container	MX1000XTP	1	15.0	0.92	040072006678
Xtreme Hi-Power Blender with 64 oz. Stainless Steel Container	MX1000XTS	1	16.0	0.92	040072006685
48 oz. Polycarbonate Container	CAC93	1	3.5	0.33	040072004575
64 oz. Polycarbonate Container	CAC89	1	3.5	0.34	040072002342
64 oz. Stainless Steel Container	CAC90	1	6.0	0.34	040072002359
Sound Enclosure for Xtreme Series 64 oz. Containers	SE1000	1	5.5	1.05	040072002366
Sound Enclosure for Xtreme Series 48 oz. Containers	SE500	1	5.0	0.95	040072007668



MX1000XT/MX1000XTS



MX1000XTP

Waring Commercial • 314 Ella T. Grasso Ave. • Torrington • Connecticut 06790
Tel. (800) 492-7464 • Fax (860) 496-9008 • www.waringproducts.com • ©2006 Waring