



Project Name:	
Location:	
Item:	Qty:
Model:	

BC360N & BC360NH

ICE MAKER - MODULAR



As Shown On Matching BB280N Bin  
(Sold Separately)

**FEATURES**

**ICE PRODUCTION**

Air Temp	Water Temp	BC360N	BC360NH
70°F (21°C)	50°F (10°C)	373 lbs (169kg)	360lbs (163kg)
90°F (32°C)	70°F (21°C)	288 lbs (131kg)	285 lbs (129kg)

Matching BB280N Ice Storage Bin is sold separately.  
Gravity Drain is required.

**OPERATING REQUIREMENTS**

Ambient Temp Range 45° to 99°F (7° to 37°C)  
 Water Temp Range 40° to 90°F (4° to 32°C)  
 Water Usage per 100lbs (45.4kg) of Ice 13.2 Gallons (60.6 L)  
 Water Supply Line Connection 3/8" FPT  
 Water Pressure Range  
 Min PSI 15 Max PSI 80 (above 80 requires a regulator)  
 Min Bar 1.0 Max Bar 5.5  
 Energy Consumption kWh/100 lb (45.4 kg) of ice with  
 ambient conditions of 90°F(32°C) Air /70°F(21°C) Water:  
 BC360N/NH: 6.1 kWh/100 lb

**FEATURES and CONSTRUCTION**

Exterior Material: Corrosion resistant stainless steel & plastic  
 Air Cooled Compressor  
 Automatic Cleaning Cycle  
 Hinged panel for easy service  
 New user-friendly controls  
 Screen displays ice maker status  
 Power for unit also illuminates LED light in storage bin (bin sold separately)  
 Comes with a NEMA 5-15 Cord Set  
 \* Water Filter Recommended to provide a higher quality ice cube

**FEATURES**

This modular ice maker produces up to 373 pounds of ice per day (under the right conditions). Stainless steel and plastic exterior construction provides durability to a unit that is low-maintenance and easy to clean. Vertical evaporator and proven ice making technology assures years of reliable ice production. These models can be stacked for even more ice production, if needed, at time of purchase or in the future. Comes with hinged front panel that swings open for easy servicing. New Solid state controls display ice maker status and alerts when the machine requires servicing.

These Modular Ice Makers are made to mate with the matching BB280N 22" wide ice storage bin.

Berg's continuing commitment to quality products may mean a change in specification or pricing without notice.



Specifications subject to change without notice.

Approvals: ANSI-NSF 12, ANSI UL 563, DOE2018 Compliant

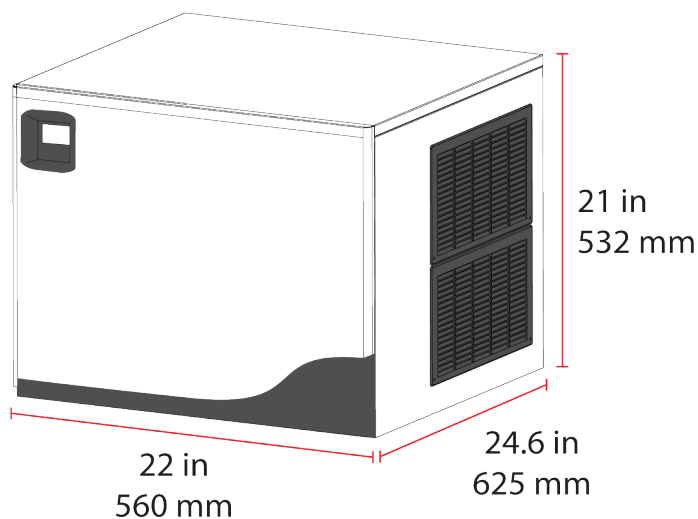
BC360N & BC360NH



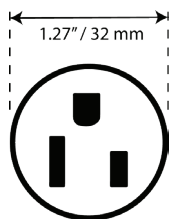
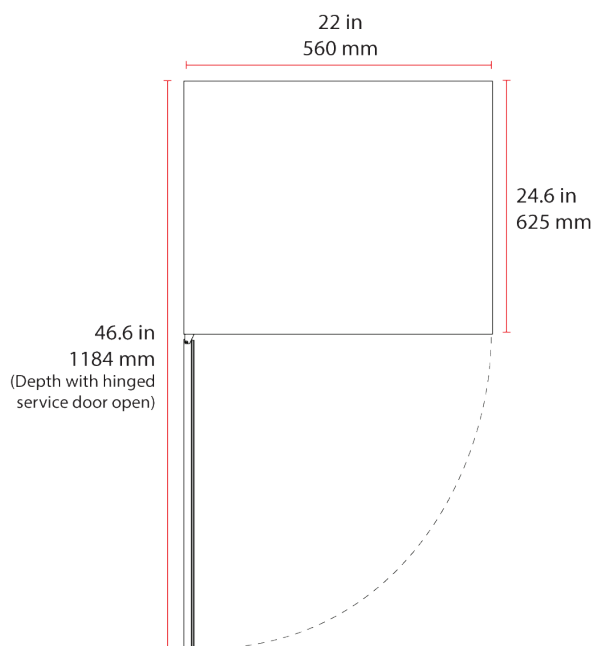
BC360N & BC360NH

ICE MAKER - MODULAR

BC360N & BC360NH



Top View



NEMA 5-15P

**REFRIGERANT**  
CFC & HCFC free R-404A

**ELECTRIC SERVICE**  
MIM360N/NH  
120V/60Hz/1 Ph (NEMA 5-15P)



**BC360N Ice Size: Full Slab**  
Inches: 7/8 x 7/8 x 7/8  
mm: 22 x 23 x 22



**BC360NH Ice Size: Half Slab**  
Inches: 7/8 x 7/8 x 3/8  
mm: 22 x 23 x 10

Model	Dim (W"xD"xH")	Ice Type	Production Capacity	Avg. Amp Draw	Ice Size (W"xD"xH")	Shipping Weight	Water Consumption (gal/100lb ice)
BC360N	22 x 24 x 21 560 x 625 x 532 mm	Full Slab	373 lb/169 kg PER DAY	6.4	7/8 x 7/8 x 7/8 22 x 23 x 22 mm	111.5 lb 50.5 kg	13.12
BC360NH	22 x 24 x 21 560 x 625 x 532 mm	Half Slab	360 lb/163 kg PER DAY	6.4	7/8 x 7/8 x 3/8 22 x 23 x 10 mm	111.5 lb 50.5 kg	13.12



Project Name:	
Location:	
Item:	Qty:
Model:	

BB280N & BB430N

## ILLUMINATED ICE MAKER STORAGE BINS



Bins shown with matching Berg Modular Ice Maker Heads (Sold Separately)

### FEATURES

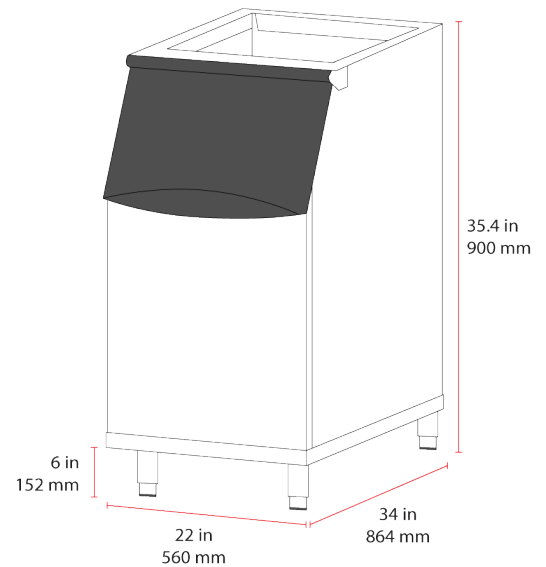
The BB280N and BB430N Ice Maker Storage Bins are designed to pair perfectly with Berg's line of 22" and 30" modular ice makers. Each bin features LED lighting (powered by ice maker unit) when it's access door is open. Gravity drain is required.

	BB280N	BB430N
In: External Dimensions W x D x H	22 x 34 x 35.4	30 x 34 x 35.4
mm: External Dimensions W x D x H	560 x 864 x 900	763 x 864 x 900
Internal Storage Capacity	9 Cu Ft	14 Cu Ft
Ice Storage Capacity (lbs - Actual/AHRI)	280 / 224	430 / 344
Insulation	2" Polyurethane Foam	2" Polyurethane Foam
Shipping Weight	99.5 lb (45 kg)	117 lb (53 kg)

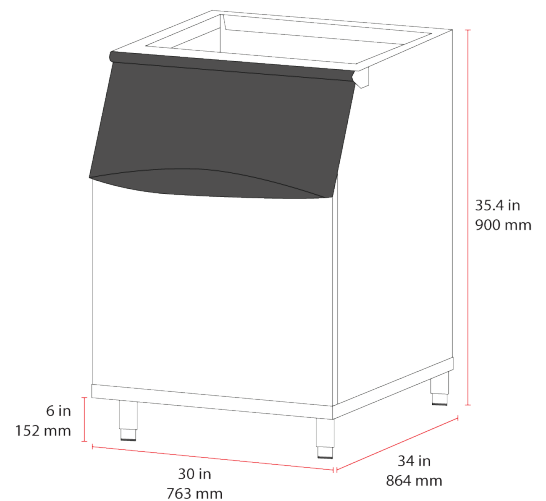
Berg's continuing commitment to quality products may mean a change in specification or pricing without notice.

### DIMENSIONS

BB280N - Compatible with BC360N & BC360NH ice maker models



BB430N - Compatible with BC370N/NH, BC500N/NH, BC650N/NH models



Specifications subject to change without notice.

Approvals: NSF 12