

Shelleymatic by Delfield

TT/TT2

Mobile Open Frame Tray And Rack Dispensers

Project _____
 Item _____
 Quantity _____
 CSI Section 11400
 Approved _____
 Date _____

TT/TT2

Mobile Open Frame Tray And Rack Dispensers

Models

- | | | | |
|-----------|--------------------------|------------|--------------------------|
| • TT-1014 | One stack, 11"x15" trays | • TT2-1014 | Two stack, 11"x15" trays |
| • TT-1216 | One stack, 12"x16" trays | • TT2-1216 | Two stack, 12"x16" trays |
| • TT-1221 | One stack, 12"x21" trays | • TT2-1221 | Two stack, 12"x21" trays |
| • TT-1418 | One stack, 14"x18" trays | • TT2-1418 | Two stack, 14"x18" trays |
| • TT-1422 | One stack, 14"x22" trays | • TT2-1422 | Two stack, 14"x22" trays |
| • TT-1622 | One stack, 16"x22" trays | • TT2-1622 | Two stack, 16"x22" trays |
| • TT-1826 | One stack, 18"x26" trays | • TT2-1826 | Two stack, 18"x26" trays |
| • TT-2020 | One stack, 20"x21" trays | • TT2-2020 | Two stack, 20"x21" trays |



TT-1422

Standard Features

- Tubing and base to be 16-gauge stainless steel
- Tubing and base to be integrally welded
- Base to be reinforced with 14-gauge stainless steel angles
- Non-marring gray corner bumpers
- (4) 4.00" diameter Polyurethane swivel casters (all locking)
- Dispenser platform carrier shall be 18-gauge stainless steel
- Self-leveling mechanisms shall be adjustable by adding and removing stainless steel extension springs located inside the elevator housing
- Each dispenser section holds approximately 50-60 trays (varies per tray style)
- One year parts and 90 day labor standard warranty

Options & Accessories

- Flange-mount feet in lieu of casters
- Napkin dispensers
- Six- or eight-hole silverware bins with plastic or stainless steel cylinders
- Wrap-around bumpers (adds 1.75" [4.4cm] to overall length and depth)
- Dust cover

Specifications

Framework shall be integrally welded 1.00" (2.5cm) O.D. 16-gauge stainless steel tubing welded to a 16-gauge stainless steel base. Frame shall have stainless steel horizontal support rods affixed to the tubing. Base shall be reinforced with full-length 14-gauge stainless steel angles.

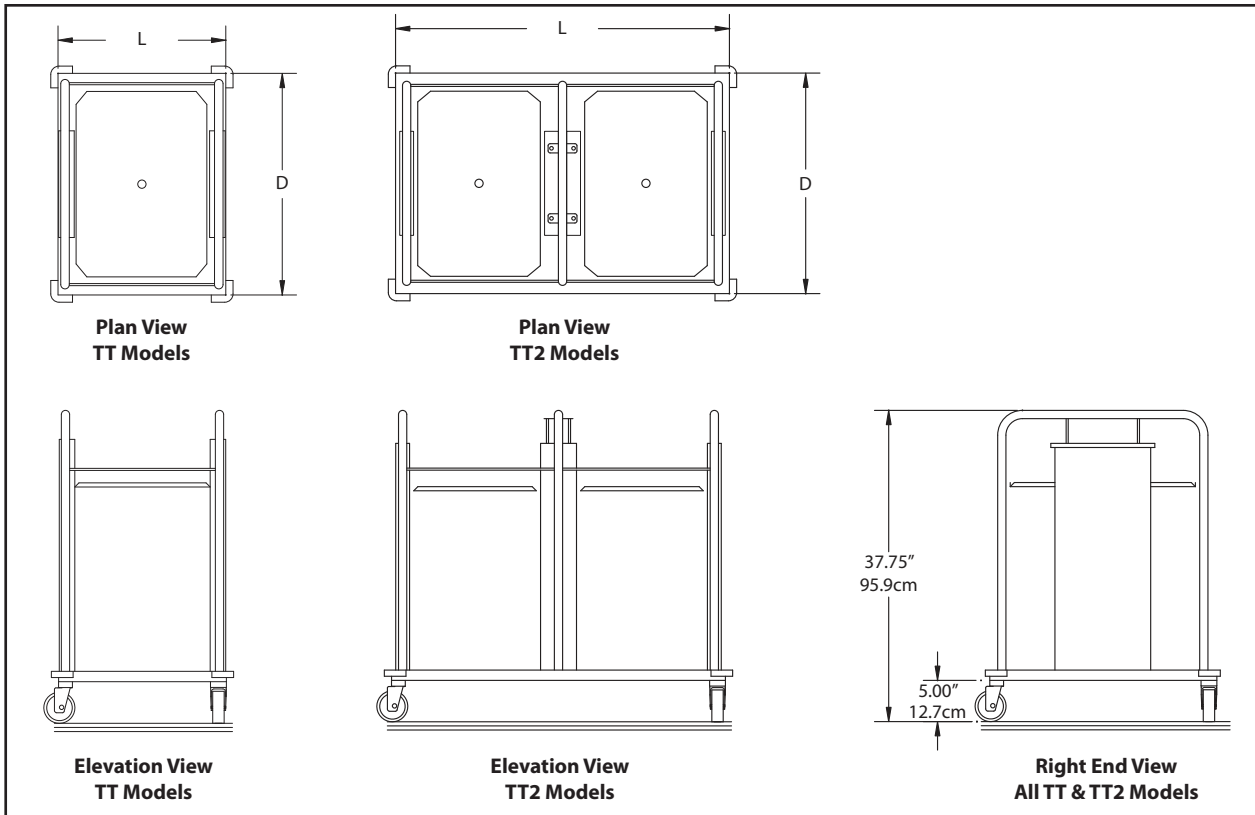
Castors: Unit shall have four 4.00" (10.2cm) diameter Polyurethane swivel casters (all locking) (5.00" [12.7cm] ride height) and non-marking gray bumpers at each corner.

Dispenser platform carries shall be 18-gauge stainless steel and shall be removable for cleaning. Each dispenser shall have 2 self-leveling mechanisms.

Self-leveling mechanisms shall be field adjustable by adding or removing stainless steel extension springs located inside the elevator housing.



Shelleymatic by Delfield



Specifications

Model	Length	Depth	Maximum Tray Size	Ship Weight
TT-1014	21.25" (54.0cm)	15.25" (38.7cm)	11" x 15" (27.9cm x 38.1cm)	102lbs/46kg
TT-1216	18.25" (46.4cm)	20.75" (52.7cm)	12" x 16" (30.5cm x 40.6cm)	102lbs/46kg
TT-1221	18.25" (46.4cm)	25.75" (65.4cm)	12" x 21" (30.5cm x 53.3cm)	105lbs/48kg
TT-1418	20.25" (51.4cm)	22.75" (57.8cm)	14" x 18" (35.6cm x 45.7cm)	102lbs/46kg
TT-1422	20.25" (51.4cm)	26.75" (67.9cm)	14" x 22" (35.6cm x 55.9cm)	105lbs/48kg
TT-1622	22.25" (56.5cm)	26.75" (67.9cm)	16" x 22" (40.6cm x 55.9cm)	106lbs/48kg
TT-1826	24.25" (61.6cm)	30.75" (78.1cm)	18" x 26" (45.7cm x 66.0cm)	111lbs/50kg
TT-2020	26.25" (66.7cm)	25.75" (65.4cm)	20" x 21" (50.8cm x 53.3cm)	111lbs/50kg
TT2-1014	21.25" (54.0cm)	26.75" (67.9cm)	11" x 15" (27.9cm x 38.1cm)	113lbs/51kg
TT2-1216	36.50" (92.7cm)	20.75" (52.7cm)	12" x 16" (30.5cm x 40.6cm)	165lbs/75kg
TT2-1221	36.50" (92.7cm)	25.75" (65.4cm)	12" x 21" (30.5cm x 53.3cm)	163lbs/74kg
TT2-1418	40.50" (102.9cm)	22.75" (57.8cm)	14" x 18" (35.6cm x 45.7cm)	165lbs/75kg
TT2-1422	40.50" (102.9cm)	26.75" (67.9cm)	14" x 22" (35.6cm x 55.9cm)	163lbs/74kg
TT2-1622	44.50" (113.0cm)	26.75" (67.9cm)	16" x 22" (40.6cm x 55.9cm)	170lbs/77kg
TT2-1826	48.50" (123.2cm)	30.75" (78.1cm)	18" x 26" (45.7cm x 66.0cm)	179lbs/81kg
TT2-2020	52.50" (133.4cm)	25.75" (65.4cm)	20" x 21" (50.8cm x 53.3cm)	179lbs/81kg

NOTES:

- Standard corner bumpers add 1.75" (4.4cm) to overall length and width.
- TT2 models dispense two separate stacks of trays.

Delfield reserves the right to make changes to the design or specifications without prior notice.

Mobile Open Frame Tray And Rack Dispensers

TT/TT2

980 S. Isabella Rd.
Mt. Pleasant, Michigan 48858

Phone: 800-733-8948 or 989-773-7981
Fax: 800-669-0619
www.delfield.com

Printed in the U.S.A.
5927
08/15

Manitowoc