



PROJECT	
ITEM #	
QUANTITY	DATE
APPROVAL	

UTSP

Mobile tublar frame tray & silver carts with pans

Short form specifications

Vertical frame shall be integrally-welded 16-gauge 1.00" (2.5cm) outside diameter stainless steel tubing, attached to a bottom frame of similar stainless steel tubing. Unit shall have (4) 4.00" (10.2cm) diameter polyolefin swivel casters (all locking), and a non-marking extruded vinyl sleeve bumper at each corner.

Each silverware bin shall be stainless steel, welded and polished, with a rectangular cutout to accept (4) 1/4-size 22-gauge stainless steel pans (provided). Model UTSP-1 has (1) silverware bin with (4) pans; model UTSP-2 has (2) silverware bins with (8) pans.

THE FOLLOWING APPLIES TO MODELS UTSP-1 & UTSP-2 ONLY:

Shelf shall be one-piece molded fiberglass. Color of shelf should be specified on original order.

THE FOLLOWING APPLIES TO MODELS UTSP-1SS & UTSP-2SS ONLY:

Shelf shall be 14-gauge stainless steel.

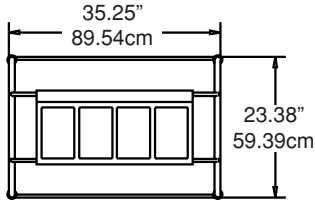
Optional Accessories & Modifications

- Heavy-duty casters (consult factory)
- Model ND napkin dispensers

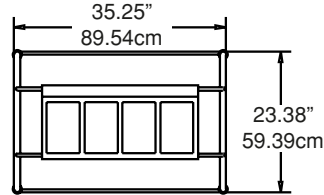


Model UTSP-1SS

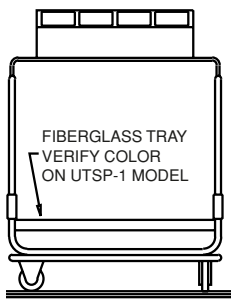




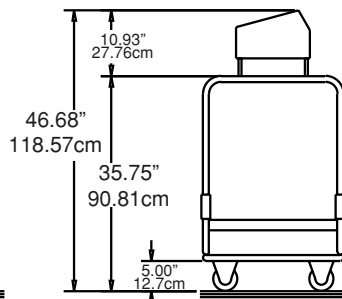
PLAN VIEW
MODELS UTSP-1 & UTSP-1SS



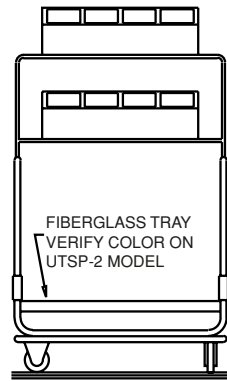
PLAN VIEW
MODELS UTSP-2 & UTSP-2SS



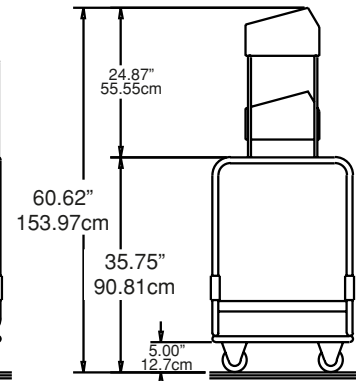
ELEVATION VIEW
MODELS UTSP-1 &
UTSP-1SS



RIGHT END VIEW
MODELS UTSP-1 & UTSP-1SS



ELEVATION VIEW
MODELS UTSP-2, & UTSP-2SS



RIGHT END VIEW
MODELS UTSP-2, & UTSP-2SS

MODEL NUMBER	SHELF DIMENSIONS (LxD)	SHELF CAPACITY (each)	SHIP WEIGHT
UTSP-1	34.25" x 22.37" 87.0cm x 56.8cm	200lbs 91kg	125lbs 57kg
UTSP-1SS	34.25" x 22.37" 87.0cm x 56.8cm	200lbs 91kg	130lbs 59kg
UTSP-2	34.25" x 22.37" 87.0cm x 56.8cm	200lbs 91kg	140lbs 64kg
UTSP-2SS	34.25" x 22.37" 87.0cm x 56.8cm	200lbs 91kg	145lbs 66kg