

FESTIVAL

Cotton Candy Machine

User Manual

1. Introduction

This cotton candy machine is designed for easy operation.

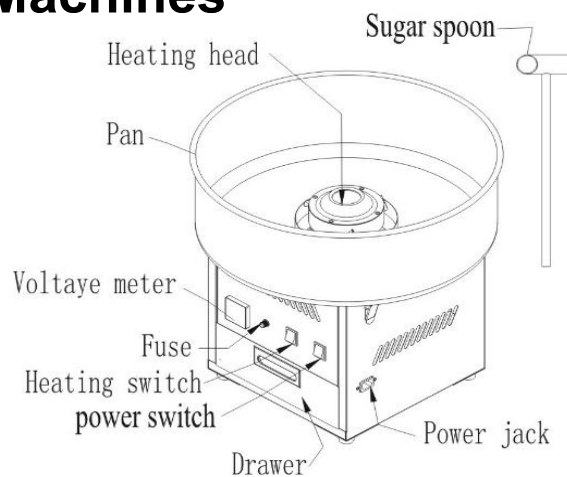
Granulated sugar is added to the machine as well as food coloring and flavors to produce your desired cotton candy.

2. All Model Specifications

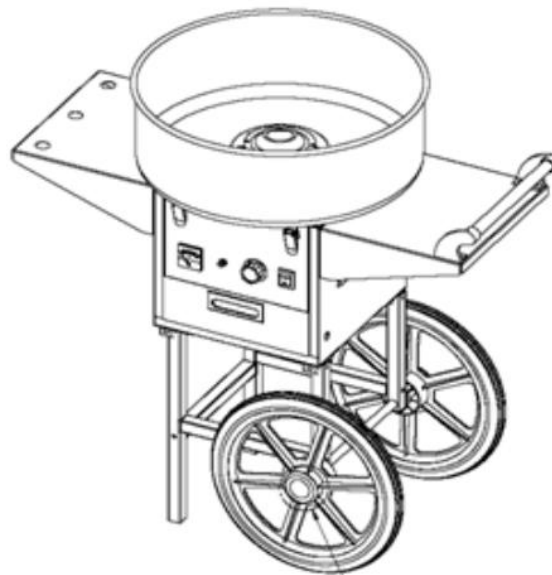
Item	390012	390013
Volts/ Frequency	110V/60HZ	110V/60HZ
Power	1080W	1080W
Yield	2 pcs / Min	2 pcs / Min

3. Structure of Machines

Item: 390012



Item: 390013



4. Before use

- Please read instruction book carefully before using. Familiarize yourself with the design and operation of the machine to ensure safe operation.
- After unpacking the machine, it is of utmost importance to clean all of the components with a damp cloth. Wipe the components dry with a soft cloth before assembly.
- Install the machine on a durable table or cart. Make sure the pan is not in contact with the heating head and fasten with 4 clamps.
- Check voltage before connecting the power plug.

5. Operating Instructions

- Turn on the power switch and keep the machine running for 1-2 minutes. Ensure that the machine is operating smoothly before continuing.
- Turn on the heating switch and let it warm up for 4-5 minutes.
- Add one spoonful of sugar with desired coloring and flavor to the center of the cotton candy heating head.
- Take a cone (with a slightly damp tip) and turn it along the perimeter of the stainless steel pan with your hand. After approximately 30 seconds you will have delicious cotton candy! Repeat the process for as long as you need to produce cotton candy.
- When finished, add 6-10 oz. of water to the heating head to clean. Do not touch the head as it is very hot. Power the machine off.
- Clean the pan with a damp cloth and dry the machine. The machine should be cleaned after every time use.

6. Attention

- DO NOT allow minors to use the machine.
- Keep the power cord and connector plug away from water or excessive heat. DO NOT use the machine if the cord or the plug is damaged.
- Please DO NOT move the machine while in operation.
- NEVER touch the heating head with your hands.
- Avoid prolonged usage of the machine. In order to prolong the life of the machine, the motor should rest for 20 minutes after every one hour of usage.
- Make sure the power switch is OFF when storing the machine. Please remove the pan and clean with water only. DO NOT flush the machine with water directly.

This manual provides information regarding the operation and maintenance of these products. We have made every effort to ensure the accuracy of the information in this manual. We reserve the right to change this product at any time without prior notice.