

36 E Series Heavy Duty Electric Broiler

Project _____
Item _____
Quantity _____
CSI Section 11400
Approved _____
Date _____

36 E Series Heavy Duty Electric Broiler

Models

- ER36

PHOTO
NOT
AVAILABLE

Standard Features

- Stainless steel front, sides, top, and splashwall
- Service and maintenance done from front with use of removable panels
- Six metal sheath elements, 1.16 kW each, half one each side of broiler
- Removable full width drip tray
- Pull out rack with lock position for broiling
- Two control switches (low medium and high settings, and pilot light) each controlling temperature over half of the broiler grid

Options & Accessories

- 208 volt or 240 volt, single phase for mounting on existing Garland 36E Series ranges
- Special mounting brackets for mounting on existing ranges
- High voltage configuration with three elements and one control only.

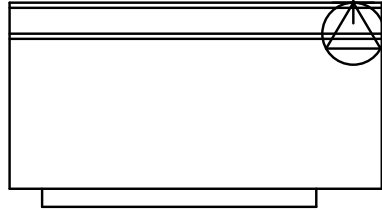
Specifications

Model ER36, range mounted broiler, with six metal sheath elements, 1.16 Kw each, with three over each half of the broiler rack. Large rack 26-1/2" (673mm) wide x 14" (356mm) deep, 5-1/8" (130mm) height clearance, moves on four ball race bearings. Broiler grid is rounded steel with flat or tilted broiling positions. Overall dimensions are 36" (914mm) wide x 18" (457mm) deep. Dual controls each control temperature on half of the broiler.

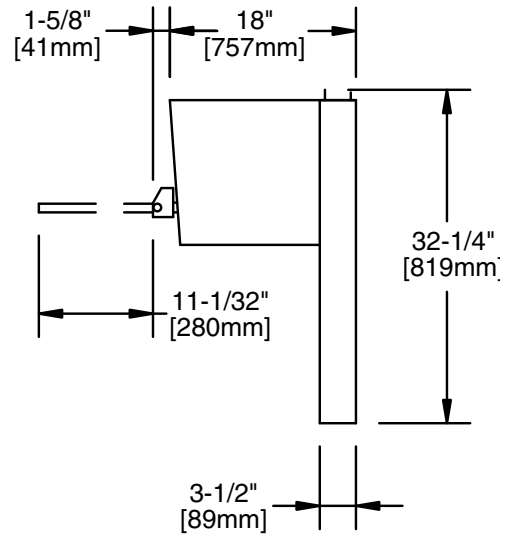
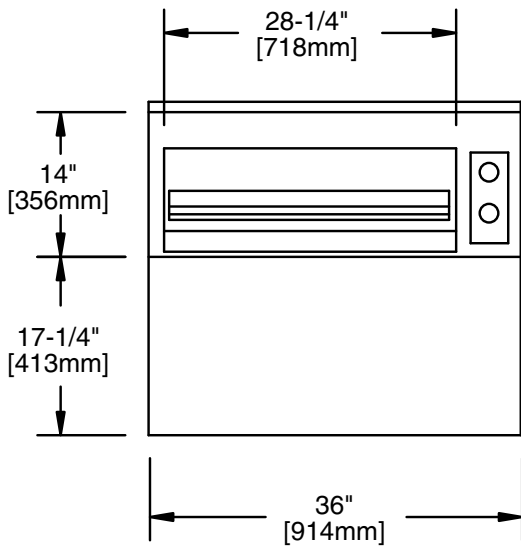


36 E Series Heavy Duty Electric Broiler

REAR ELECTRICAL 2-3/4" [70mm]



Garland products are not approved or authorized for home or residential use, but are intended for commercial applications only. Garland will not provide service, warranty, maintenance or support of any kind other than in commercial applications.



Loading Chart				
Model	Total kW Loading		Nominal Amps Per Line	
			1 Phase	
	240V	208V	240V	208V
ER36	7.0	7.0	29.5	34

Export Ratings available on request. Specify voltage and wiring required. 460 volt model available.

Combustible Wall Clearances		
Left Side	Right Side	Back
6" (152mm)	4-1/2" (114mm)	1/2" (13mm)

Welbilt reserves the right to make changes to the design or specifications without prior notice.