

# 36 E Series Heavy Duty Boil Section Top Range

Project \_\_\_\_\_  
Item \_\_\_\_\_  
Quantity \_\_\_\_\_  
CSI Section 11400  
Approved \_\_\_\_\_  
Date \_\_\_\_\_

## Models

- 36ER35
- 36ES35



Model 36ER35  
Four Boil Section Top Range

## Standard Features

- Stainless steel front and sides
- Stainless steel front rail
- Chrome plated, 4 position removable rack guides w/oven rack
- Electro-mechanical heavy-duty oven thermostat
- Two 18" (457mm) boiling plates, with two sections each, sections controlled by three-heat switches
- 3" (76mm) high stainless steel vent raiser
- Heat resistant, cool to touch oven door handle
- 6" (152mm) adjustable chrome plated legs (NSF)
- One Year limited parts & labor (USA & Canada)

## Options & Accessories

- Stainless steel main back (R&S models)
- Extra oven rack
- Set of (4) Polyurethane (nonmarking) swivel casters with front brakes.
- 6" (152mm) adjustable stainless steel legs
- High voltage 460V
- Marine equipment - hand rails, oven door latch, drip tray stop and deck fasteners

NOTE: Ranges supplied with casters must be installed with an approved restraining device.

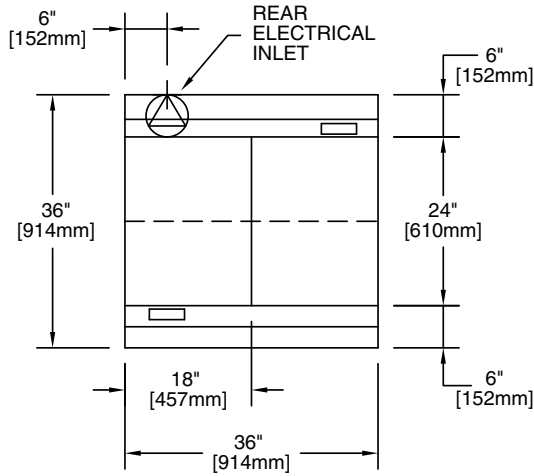
## Specifications

Heavy-duty electric range, Model 36ER35, with boiling plate top. Top consists of two 18" (457mm) x 24" (610mm) boiling plates with four heat zones, each controlled by three-heat switch. Full size oven is controlled by a heavy-duty electromechanical thermostat. Oven interior is 13.5" (343mm) high x 26.25" (667mm) wide x 29" (533mm) deep with removable four-position chrome plated rack guides and one oven rack, front and rear stainless steel grease troughs. Stainless steel front and sides. Circuit breakers or fuses provide electric circuit protection. Available with casters or for dais mount. Model 36ES35 has storage base in lieu of oven section.



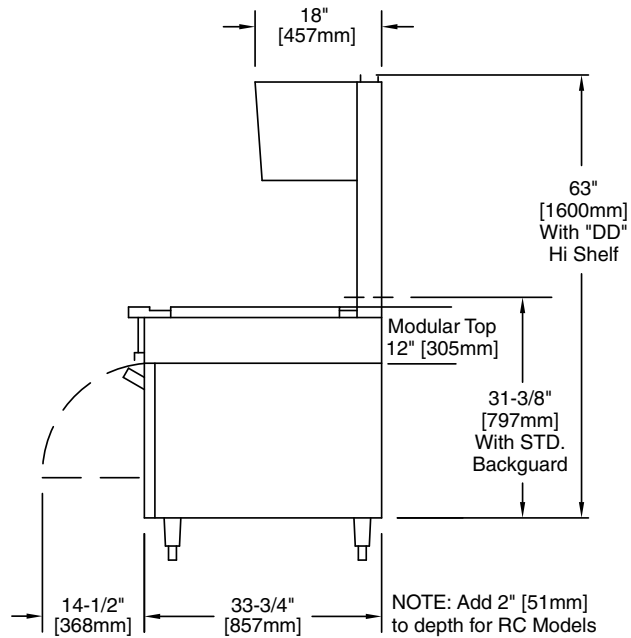
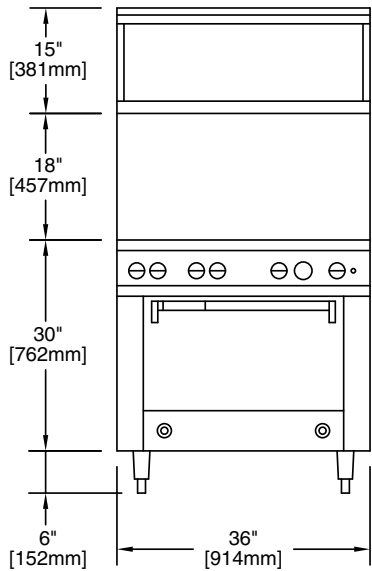
36 E Series Heavy Duty Boil Section Top Range

# 36 E Series Heavy Duty Boil Section Top Range



**Shipping Cubic Feet 51; modular 20**

Garland products are not approved or authorized for home or residential use, but are intended for commercial applications only. Garland will not provide service, warranty, maintenance or support of any kind other than in commercial applications.



MODEL	TOTAL kW	3-PHASE kW PER PHASE ALL VOLTAGES			NOMINAL AMPERES PER LINE											
		X-Y	Y-Z	X-Z	SINGLE PHASE			THREE PHASE								
					208V	240V	460V	208V			240V			460V		
					X	Y	Z	X	Y	Z	X	Y	Z	X	Y	Z
36ER35	18.5	6.5	6	6	89	78	40	53	53	51	46	46	44	24	24	23
36ES	12	0	6	6	58	51	26	29	29	51	25	25	44	13	13	23

CLEARANCES			
ENTRY		TO COMBUSTIBLE WALL	
CRATED	UNCRATED	SIDES	REAR*
41-1/4" (1048mm)	36-1/4" (921mm)	3" (76mm)	1/2" (13mm)

Welbilt reserves the right to make changes to the design or specifications without prior notice.