

Cuisine Series Heavy Duty Combination Top Range

Project _____
Item _____
Quantity _____
CSI Section 11400
Approved _____
Date _____

Models

- C836-14 • C0836-14M • C0836-14L
- C0836-14 • C836-14L • C0836-14LM



Model C386-14
Range with 2 Open burners & 18"
Even Heat Hot Top

Standard Features

- 18" (457mm) even heat hot top section, 32,500 BTUs
- Open Top burners 30,000 BTU each
- Full-range burner valve control
- One-piece cast iron top grates
- Stainless steel front and sides
- Stainless steel front rail w/ position adjustable bar
- 1-1/4" NPT front gas manifold
- Can be connected individually or in a battery
- 6" (152mm) H stainless steel stub back
- 6" (152mm) chrome steel adj. legs
- Stainless steel oven interior w/ removable porcelain bottom
- 40,000 BTU oven burner
- Chrome plated rack with four positions, 1 per oven
- Fully insulated oven interior
- 100% safety oven pilot
- Oven thermostat control - 150°-500°F (66°-260°C)

Options & Accessories

- Stainless steel back
- Range base convection oven (add RC)
- Porcelain oven interior in lieu of stainless steel interior - NC
- Single or double deck high shelf or back riser
- Modular unit with legs and shelf (suffix M)
- Modular unit w/o legs on Refrig. Base (change suffix M to PC)
- Stainless steel intermediate shelf for cabinet base
- Stainless steel door(s) for cabinet base units
- Continuous plate shelf, 48-72" for battery installations
- Gas shut-off valves - 3/4", 1", 1 1/4" NPT (Specify)
- Gas regulators 3/4" - 1/4" NPT (Specify)
- Gas flex hose w/ quick disconnect 3/4", 1", 1 1/4" (Specify)
- Stainless steel legs (set of four)
- Flanged feet set of four
- Set of (4) polyurethane non-marking swivel casters w/front brakes.
- Extra oven rack
- Rear Gas Connection; 3/4" NPT (max 250,000 BTU's) or 1-1/4" NPT
- Stainless steel burner box top interior

Specifications

U.S. Range Cuisine 36" (914mm) wide Heavy Duty Range Series. Model _____ with total BTU/hr rating of _____ when used with natural/propane gas. Stainless steel front and sides. 6" (152mm) legs with adjustable feet.

Ovens - One piece oven door. Stainless steel oven interior with a heavy-duty, "keep-cool" door handle. Standard oven comes with a thermostat with a temperature range from 150° (low) to 500°F (66°-260°C). One chrome plated oven rack for standard ovens and three for convection ovens.

Open Burners - 30,000 BTU/hr per burner with center pilot and a one piece, cast iron top grate over two open burners.

18" (457mm) Section Even Heat Hot Tops - 32,500 BTU/hr each burner with one per plate.

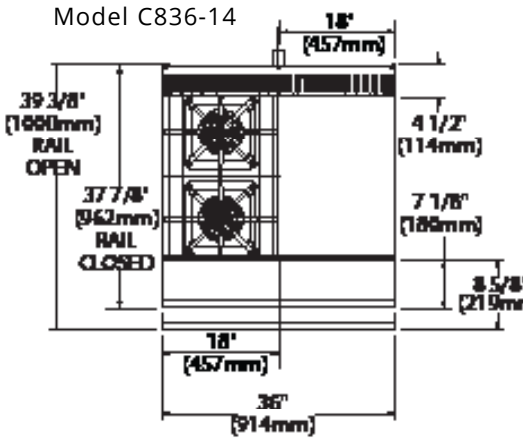
Note: Range-based convection oven models can be located in the middle of a battery, banked back-to-back with other equipment, and can be positioned against a wall

NOTE: Ranges supplied with casters must be installed with an approved restraining device.



Cuisine Series Heavy Duty Combination Top Range

Cuisine Series Heavy Duty Combination Top Range



Model C836-14

18" (457mm)

39 3/8" (1000mm) RAIL OPEN

4 1/2" (114mm)

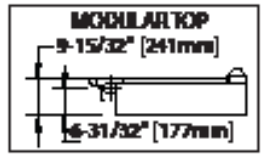
37 7/8" (962mm) RAIL CLOSED

7 1/8" (180mm)

8 5/8" (219mm)

18" (457mm)

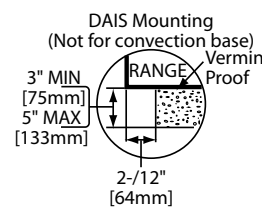
36" (914mm)



MODULAR TOP

9-15/32" (241mm)

6-31/32" (177mm)



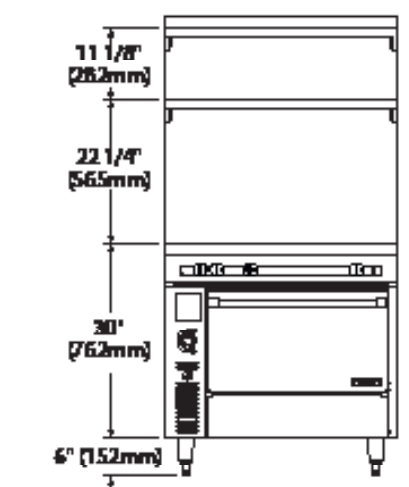
DAIS Mounting
(Not for convection base)

Vermin Proof

3" MIN (75mm)

5" MAX (133mm)

2-1/2" (64mm)

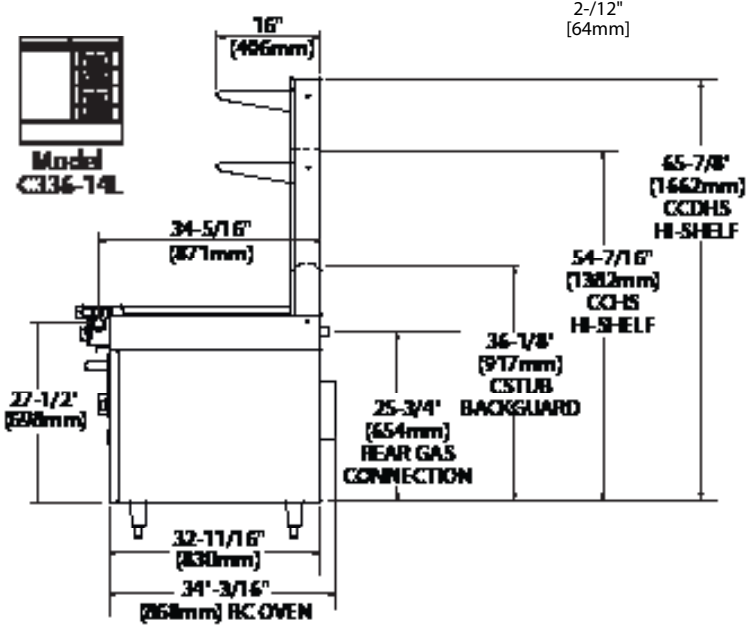


11 1/8" (282mm)

22 1/4" (565mm)

30" (762mm)

6" (152mm)



16" (406mm)

Model C836-14L

34-5/16" (871mm)

65-7/8" (1662mm) CC/DHS HI-SHELF

54-7/16" (1382mm) CC/HS HI-SHELF

36-1/8" (917mm) C/STUB

25-3/4" (654mm) BACKGUARD REAR GAS CONNECTION

27-1/2" (698mm)

32-11/16" (830mm)

34"-3/16" (861mm) RC OVEN

Model #	Description	Total BTU (NAT. Gas)	Individual Burner Ratings (BTU/hr)			
C836-14*	(1) EHHT(Right) & (2) Open Burners - Standard Oven	132,500	Burner	NAT.	Pro.	
C0836-14	(1) EHHT(Right) & (2) Open Burners - Cabinet	92,500	Open Burner	30,000	28,000	
C0836-14M	(1) EHHT(Right) & (2) Open Burners - Modular	92,500	18" Hot Top	32,500	32,500	
C386-14L	(1) EHHT(Left) & (2) Open Burners - Standard Oven	132,500	Std. Oven	40,000	35,000	
C0836-14L	(1) EHHT(Left) & (2) Open Burners - Cabinet	92,500	Conv. Oven	37,000	35,000	
C0836-14LM	(1) EHHT(Left) & (2) Open Burners - Modular	92,500	Interior Dimensions: In (mm)			
			Product	Height	Width	Depth
			Standard Oven	13-1/2(323)	26-1/4 (667)	29 (737)
			Convection Oven	13-1/2(323)	26-1/4 (667)	25 (635)
			Cabinet Base	20-1/2 (521)	32-1/4 (819)	31 (787)
			Gas Pressure	NAT.	PRO.	
			Minimum Supply	7" WC	11" WC	
			Manifold Operating Pressure	6" WC	10" WC	
			Gas Manifold 1-1/4" NPT			

EHHT = Even Heat Hot Top

* Add Suffix "RC" for Convection Oven Base 1/3 Hp motor 120V 60Hz 0.6 Amps c/w Nema 5-15P cord & plug

Combustible Wall Clearance	
Sides	Back
6" (152mm)	6" (152mm)

Welbilt reserves the right to make changes to the design or specifications without prior notice.