

Teppan Yaki Electric Griddle

Project _____
Item _____
Quantity _____
CSI Section 11400
Approved _____
Date _____

Models

- E22-36-36GMX • E22-36-48GMX • E22-36-60GMX
- E22-36-45GMX • E22-36-56GMX • E22-36-72GMX



E22-36-48GMX Top View
Shown with optional flange edge



E22-36-48GMX Front View
Shown with optional flange edge

Standard Features

- Stainless steel front and sides
- 11" (279mm) x 34" (834mm) heated cooking zone
- 3/4" (19mm) thick griddle plate.
- Six sizes available
- 208 or 240 Volts single or 3 phase, specify which is required
- Electronic thermostat up to 500°F (260°C)
- 4" (102mm) stainless steel sanitary legs

Options & Accessories

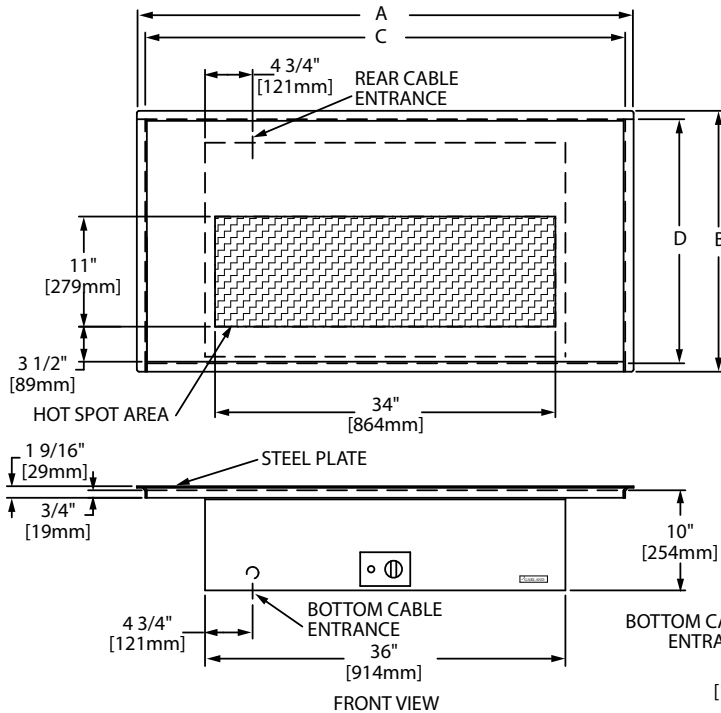
- Stainless steel main back
- 1" (25mm) flange edge for easier drop in installation.

Specifications

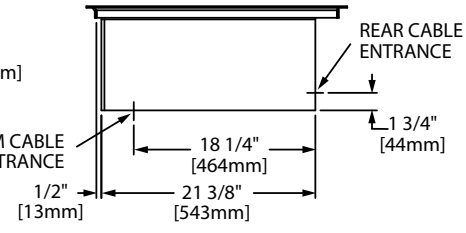
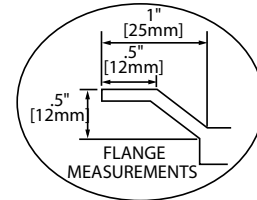
Garland's E22-36X Series Teppan Yaki Electric Griddles come in 6 models. All units have 11" (279mm) x 34" (864mm) heated cooking zone, stainless steel front panels and sides. 208 or 240 Volts single or three phase, electronic thermostat. Standard with a flat straight griddle plate edge or optional 1" (25mm) flange.



Teppan Yaki Electric Griddle



Garland products are not approved or Authorized for home or residential use, but are intended for commercial applications only. Garland will not provide service, warranty, maintenance or support of any kind other than in commercial applications.



Suggested Mountings (Not to Scale)

Total kW Loading	kW Loading Per Phase							Nominal Amps Per Phase							
	240V		240V			208V		Single Phase		Three Phase					
			X-Y	Y-Z	X-Z	X-Y	Y-Z	X-Z	240V	208V	X	Y	Z	X	Y
6.7	6.7	3.35	---	3.35	3.35	---	3.35	27.92	32.21	24.22	13.96	13.96	27.95	16.11	16.11

Model	Griddle Size With Flange		Griddle Size Less Flange		Shipping Wt lb/kg
	Width (A)	Depth (B)	Width (C)	Depth (D)	
E22-36-36GMX	37-5/8" (957mm)	26-9/16" (675mm)	35-13/16" (910mm)	24-1/4" (616mm)	330/150
E22-36-45GMX	46-15/16" (1192mm)	28-1/4" (718mm)	45-1/8" (1146mm)	26-15/16" (685mm)	340/154
E22-36-48GMX	49-5/8" (1260mm)	26-9/16" (675mm)	47-13/16" (1215mm)	24-1/4" (616mm)	350/159
E22-36-56GMX	58-3/16" (1478mm)	28-1/4" (718mm)	56-3/8" (1432mm)	26-15/16" (685mm)	385/175
E22-36-60GMX	61-5/8" (1565mm)	26-9/16" (675mm)	59-13/16" (1520mm)	24-1/4" (616mm)	385/175
E22-36-72GMX	73-5/8" (1870mm)	26-9/16" (675mm)	71-13/16" (1824mm)	24-1/4" (616mm)	400/182

Body Side Minimum Installation Clearances: In(mm)		
Left & Right Sides	Rear	Type of Floor Base
1/2" (12.5)	1/2" (12.5)	0" (0) from Combustible

The E22-36-36GMX is for installation in non-combustible locations only. All others should be installed with the above minimum clearances from combustible material.

Welbilt reserves the right to make changes to the design or specifications without prior notice.