

Designer Series Electric Hot Plate

Project _____
Item _____
Quantity _____
CSI Section 11400
Approved _____
Date _____

Designer Series Electric Hot Plate

Models

- ED-15H
- ED-15HSE
- EDU-15HSE



Model ED-15H

Standard Features

- Stainless steel front and sides
- 4" (102mm) Sanitary legs
- Easy clean design with recessed protected controls.
- Heat-On indicator lamps
- Two models configurations: ED-15H with two 8" (203mm) coil elements and suffix -15HSE models with two 8" (203mm) sealed solid elements
- "CE" approval only on model EDU-15HSE
- One-Year limited parts & labor warranty (USA & Canada only)

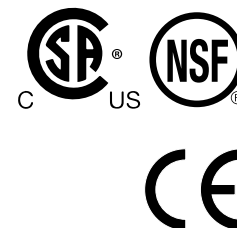
Options & Accessories

- Stainless steel back and bottom

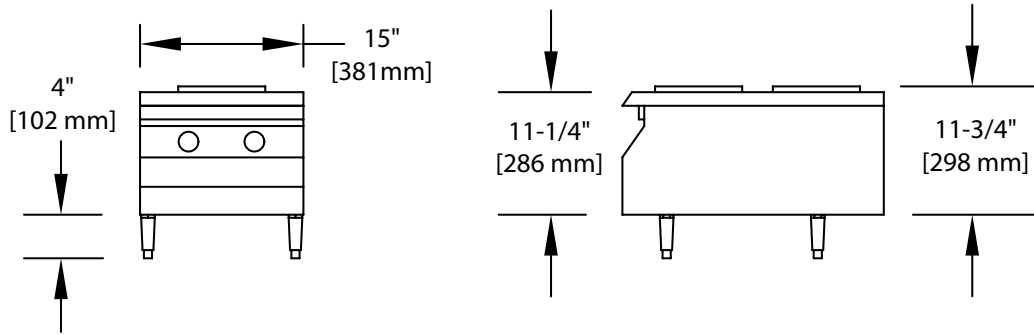
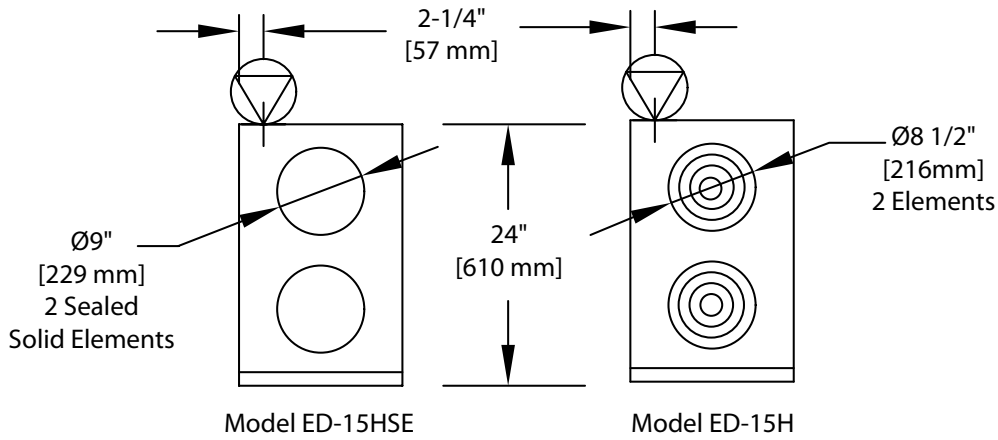
Note : Stands are available see form # CS24/CSD

Specifications

Electric designer series hot plates available in two different model configurations. Model ED-15H has two high speed 8 1/2" (216mm) diameter coil elements, with easily removed porcelain enameled bowls and Models with suffix -15HSE have two 9" (229mm) sealed solid elements, with an energy saving feature automatically cycling down when not in use. All models have a six position switch for each element. Designed as stand alone or to be banked with other ED series equipment. 15" (381mm) wide, x 24" (610mm) deep x 11.25" (286mm) high, easy clean design stainless steel front and sides, recessed top and 4" (102mm) stainless steel legs.



Designer Series Electric Hot Plate



Garland products are not approved or authorized for home or residential use, but are intended for commercial applications only. Garland will not provide service, warranty, maintenance or support of any kind other than in commercial applications.

Models	Total kW Load				Nominal Amperes Per Line								
					North America				Export				
	North America		Export		Single Phase		Hi Line -3 Phase		Single Phase		Hi Line - 2 or -3 Phase		
208V	240V	220V/ 380V	240V/ 415V	208V	240V	208V	240V	208V	240V	220V/ 380V	240V/ 415V	220V/ 380V	240V/ 415V
ED-15H	4.2	4.2	4.2	4.2	21	18	18	16	20	18	10	9	
ED-15HSE	5.2	5.2	5.2	5.2	25	22	22	19	24	22	12	11	
EDU-15HSE	5.2	5.2	5.2	5.2	25	22	22	19	24	22	12	11	

Model	Overall Dimensions			Cu. Ft.	Shipping Wt. Lb/kg
	Height	Width	Depth		
ED-15H	11-1/4" (286mm)	15" (381mm)	24" (610mm)	5	46/21
ED-15HSE	11-1/4" (286mm)	15" (381mm)	24" (610mm)	5	50/23

Installation Clearances	
Side	Rear
1.5" (38mm)	1.5" (38mm)

Welbilt reserves the right to make changes to the design or specifications without prior notice.