

Project _____
Item _____
Quantity _____
CSI Section 11400
Approved _____
Date _____

Designer Series Electric Hot Plate

Designer Series Electric Hot Plate

Models

- ED-15THSE



Model ED-15THSE

Standard Features

- Stainless steel front and sides
- Two 7-1/2" (192 mm) diameter sealed elements
- Each element rated 2000 watts
- Each element controlled by a switch with six heat positions that automatically cycles down to a low heat when left unused
- Heat-On indicating lamps
- 4" (102mm) stainless steel legs
- One-year limited parts & labor warranty (USA & Canada only)

Options & Accessories

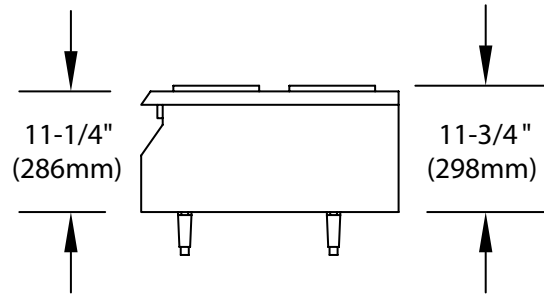
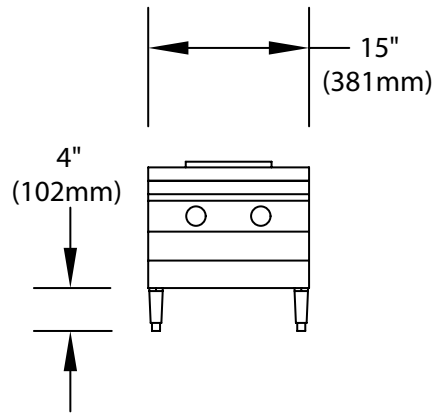
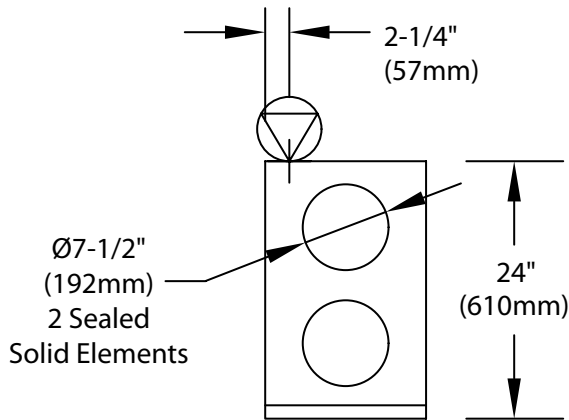
- Stainless steel back and bottom
- Note : Stand is available see form # CS24/CSD

Specifications

Dependable 7-1/2" (192 mm) diameter sealed solid element hot plate and recessed top ensure quicker clean-ups. Each plate element is controlled by a switch with six heat positions. Elements are protected with a high limit which automatically reduces power to prevent over heating.



Designer Series Electric Hot Plate



Garland products are not approved or authorized for home or residential use, but are intended for commercial applications only. Garland will not provide service, warranty, maintenance or support of any kind other than in commercial applications.

NOTE: - All 208V 1 phase 60 hz models will be equipped with a 4-ft (1219mm) power cord and NEMA L6-30P plug (HUBBELL HBL2621 or equivalent)

| Total kW Load | | kW Load Per Phase | | | | | | Nominal Amperes Per Line | | | | | | | | |
|---------------|------|-------------------|-----|-----|------|-----|-----|--------------------------|------|-----|---------|------|-----|-----|------|--|
| | | | | | | | | Single Phase | | | 3-Phase | | | | | |
| 208V | 240V | 208V | | | 240V | | | 208 | 240 | 208 | | | 240 | | | |
| | | X-Y | Y-Z | X-Z | X-Y | Y-Z | X-Z | | | X | Y | Z | X | Y | Z | |
| 4.0 | 4.0 | | 2.0 | 2.0 | | 2.0 | 2.0 | 19.2 | 16.7 | 9.5 | 9.5 | 16.7 | 8.3 | 8.3 | 14.4 | |

FOR VOLTAGE OPTIONS OUTSIDE NORTH AMERICA, PLEASE CONTACT THE FACTORY

| Overall Dimensions | | | Clearances | | | | Cu. Ft. | Shipping Weight |
|--------------------|----------------|----------------|------------------|------------------|--------------------|----------------|---------|------------------|
| | | | Installation | | Entry | | | |
| H | W | D | Sides | Rear | Crated | Uncrated | | |
| 11-1/4" (286mm) | 15" (381mm) | 24" (610mm) | 1-1/2" (38mm) | 1-1/2" (38mm) | 18-1/2" (470mm) | 15" (381mm) | 5 | 50lbs. (23kg) |

Welbilt reserves the right to make changes to the design or specifications without prior notice.