

Project \_\_\_\_\_  
Item \_\_\_\_\_  
Quantity \_\_\_\_\_  
CSI Section 11400  
Approved \_\_\_\_\_  
Date \_\_\_\_\_

# Gas Stock Pot Range

Gas Stock Pot Range

## Models

- G20-SP
- G20-SPH



Model G20-SP  
(stock pot not included)

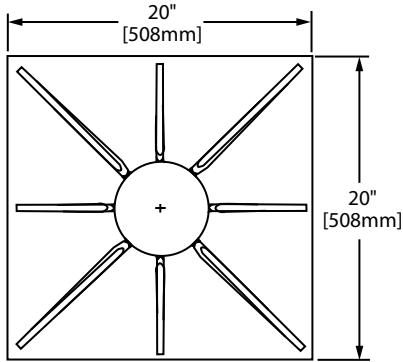
## Standard Features

- Heavy Duty modular construction
- Stainless Steel finish, legs, front and two sides.
- Adjustable 1-3/8" (35mm) high zinc plated leveling feet
- Removable valve control panel
- Removable drip tray
- One piece cast iron top grate with raised full ribs for stable pots
- Four Spectro-Heat Burners
- Infinite setting valve between Low (12,000 BTU), Medium (35,500 BTU) and High (60,000 BTU) positions for instant heat adjustment
- Pressure regulator - not supplied for use with manufacture gas
- 100% positive "H" safety pilot, to shut off gas if pilot flame goes out, Model G20-SPH

## Specifications

Gas stock pot range, with heavy duty modular construction, removable easy clean drip tray and one piece cast iron top grate with full width ribs. 20" (508mm) wide x 20" (508mm) deep x 24" (610mm) high, stainless steel legs, front and two sides, stainless steel removable valve control panel and 1-3/8" (35mm) high zinc plated leveling feet. Four spectro-heat burners and infinite valve settings allow for versatility of heat, 60,000 BTU maximum output. Constant shielding pilot for automatic lighting, 100% positive type "H" safety pilot available to shut off gas if pilot goes out, Model G20-SPH.

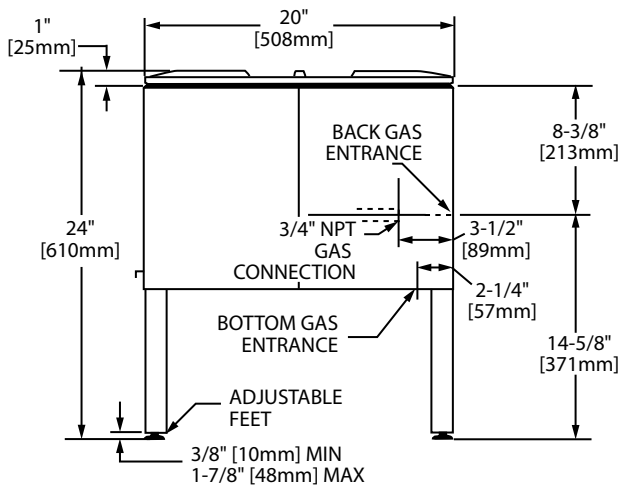
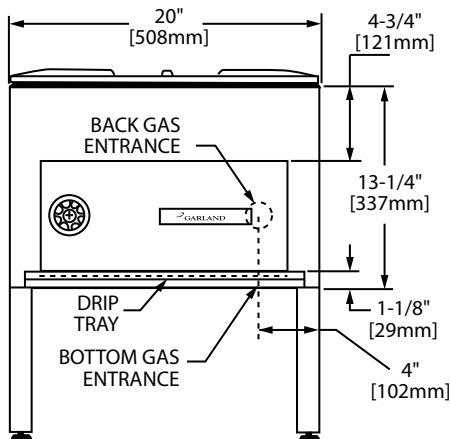




Gas input ratings are show for natural gas installations up to 2000 Feet (610m) above sea level. BTU input ratings must be derated for high altitude installations. Specify altitude of project if over 2000 feet (610m).

A Satisfactory power ventilator properly adapted for the range may be used.

NOTE: Many local codes exist, and it is the responsibility of the Owner and the Installer to comply with those codes.



# Gas Stock Pot Range

| Model   | Dimensions  |             |             | Input Natural & Propane Gas BTU | Cu Ft | Shipping Weight Lb/Kg |
|---------|-------------|-------------|-------------|---------------------------------|-------|-----------------------|
|         | Width       | Depth       | Height      |                                 |       |                       |
| G20-SP  | 20" (508mm) | 20" (508mm) | 24" (610mm) | 60,000                          | 11    | 110/50                |
| G20-SPH | 20" (508mm) | 20" (508mm) | 24" (610mm) | 60,000                          | 11    | 110/50                |

| Model   | Supply Operating Pressure |                    | Manifold Operating Pressure |                  | Gas Inlet NPT |
|---------|---------------------------|--------------------|-----------------------------|------------------|---------------|
|         | Natural                   | Propane            | Natural                     | Propane          |               |
| G20-SP  | 7" WC (17.5 mbar)         | 11" WC (27.5 mbar) | 4" WC (10 mbar)             | 10" WC (24 mbar) | 3/4"          |
| G20-SPH | 7" WC (17.5 mbar)         | 11" WC (27.5 mbar) | 4" WC (10 mbar)             | 10" WC (24 mbar) | 3/4"          |

For other gases specify type, caloric value, specific gravity and pressure at appliance.

Pressure regulator not supplied for use with manufactured gas.

| Combustible Wall Clearances |            |
|-----------------------------|------------|
| Sides                       | Back       |
| 6" (152mm)                  | 6" (152mm) |

Garland products are not approved or authorized for home or residential use, but are intended for commercial applications only. Garland will not provide service, warranty, maintenance or support of any kind other than in commercial applications.

Welbilt reserves the right to make changes to the design or specifications without prior notice.