

# G Series Gas Range Match Broiler

Project \_\_\_\_\_  
Item \_\_\_\_\_  
Quantity \_\_\_\_\_  
CSI Section 11400  
Approved \_\_\_\_\_  
Date \_\_\_\_\_

## Models

- G18-BRL
- G24-BRL
- G30-BRL
- G36-BRL
- G48-BRL



G24-BRL  
With 4" Legs For Counter Mount

## Standard Features

- Stainless steel front, sides, front rail, grease hopper and side splash
- Stainless steel low profile backguard
- Counter mount or range matched to Garland G series ranges (when combined with optional stand or cabinet base)
- Exclusive lift off hopper top
- Removable broiling grates in 6" (152mm) wide sections.
- Dual-sided cast iron broiler racks, with 1/2" (13mm) rounded bar (broad) and diamond (fine) patterns on opposite sides, in of 6" (152mm) wide sections.
- Heavy duty ceramic briquettes
- 4" (102mm) sanitary legs for counter mount installations
- Simple set Hi-Lo valves
- Piezo Spark Pilot Ignition
- Gas Pressure Regulator
- 3/4" N.P.T. rear gas connection
- 15,000 BTU cast iron burners for every 6" (152mm) of broiler width.
- Natural or Propane gas, specify when ordering

## Options & Accessories

- Diamond branding rack in lieu of standard rack
- Stainless steel splatter guard 18" (457mm) to 48" (1219mm), specify width
- Nickel plated wire type holding shelves which attach to splatter guards, available in 18" (457mm), 24" (610 mm) & 36" (914mm)  
Note: Stands and floor bases available see form BRL-STD

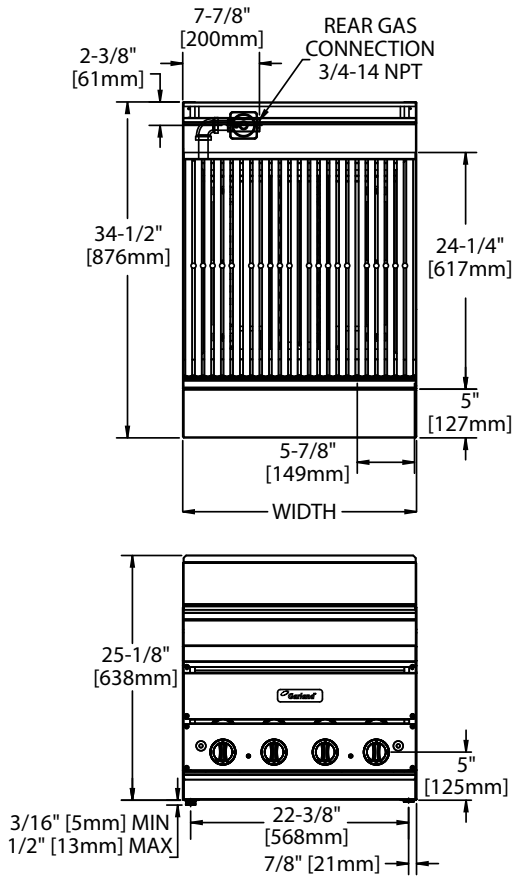
## Specifications

Range mount gas infra-red salamander broiler. Two 20,000 BTU (5.86 kw) atmospheric burners, each with a Hi-Lo valve. Fixed position, roll-in, roll out broiling rack with flat or tilt positions. 34" (864mm) wide x 19 3/8" (492mm) deep x 73 11/16" (1872mm) high when mounted on a range. Refer to drawing for detail specifications. 40,000 BTU (11.72 kw) total. Natural or propane gas. Available as counter top or wall mounted models - CFIR36CM.



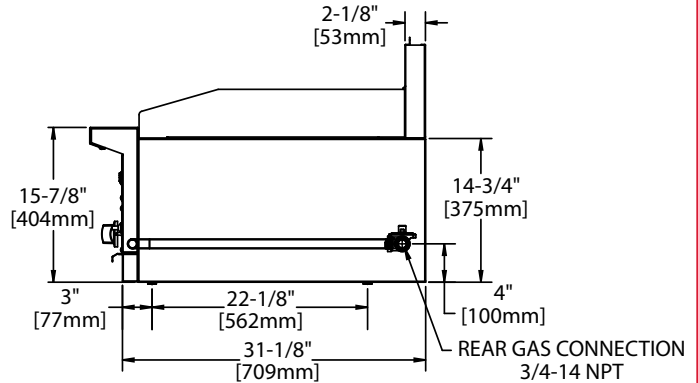
G Series Gas Range Match Broiler

# G Series Gas Range Match Broiler



Garland products are not approved or authorized for home or residential use, but are intended for commercial applications only. Garland will not provide service, warranty, maintenance or support of any kind other than in commercial applications.

When ordering specify gas type, natural or propane and elevation if over 2,000 ft (610m).



| MODEL   | Exterior Dimensions |              |                 | Total Input Rating (Natural Gas) |      | Shipping |         |
|---------|---------------------|--------------|-----------------|----------------------------------|------|----------|---------|
|         | Height w/O Legs     | Width        | Depth           | BTU                              | kW   | Cu Ft    | lb/Kg   |
| G18-BRL | 25-1/8" (638mm)     | 18" (457mm)  | 34-1/2" (876mm) | 45,000                           | 13.2 | 21       | 190/86  |
| G24-BRL | 25-1/8" (638mm)     | 24" (610mm)  | 34-1/2" (876mm) | 60,000                           | 17.6 | 21       | 240/109 |
| G30-BRL | 25-1/8" (638mm)     | 30" (762mm)  | 34-1/2" (876mm) | 75,000                           | 22   | 29.5     | 290/131 |
| G36-BRL | 25-1/8" (638mm)     | 36" (914mm)  | 34-1/2" (876mm) | 90,000                           | 26.4 | 29.5     | 340/154 |
| G48-BRL | 25-1/8" (638mm)     | 48" (1219mm) | 34-1/2" (876mm) | 120,000                          | 35.2 | 37       | 375/170 |

| MODEL      | Installation Clearances<br>Noncombustible Surfaces Only |      | Manifold Operating Pressure "wc/mbar |         | Gas Inlet |
|------------|---|------|--------------------------------------|---------|-----------|
|            | Sides   | Rear | Natural                              | Propane |           |
| All Models | 0"  | 0"   | 4.5/11                               | 10/24.9 | 3/4"      |

Welbilt reserves the right to make changes to the design or specifications without prior notice.