

Designer Series Gas Griddles

Project _____
Item _____
Quantity _____
CSI Section 11400
Approved _____
Date _____

Models

- GD-15G • GD-24G • GD-36G
- GD-15GTH • GD-24GTH • GD-36GTH
- GD-15GFF • GD-24GFF • GD-36GFF



Model GD-24G

Standard Features

- "CE" approved models have suffix FF and are equipped with Flame-Failure protection, Flame Failure protection is not available on thermostat controlled (GTH) models
- Stainless steel front and sides
- 4" (102mm) Sanitary legs
- Easy clean design
- 18" (457mm) deep cooking surface
- 1/2" (13mm) thick polished steel griddle with 2-5/8" (67mm) welded splash guard on sides and rear of plate
- Piezo spark ignition
- Rear gas connection w/pressure regulator
- Hi-Lo Valve control, models have suffix G
- Thermostat control models have suffix GTH
- Natural or propane gas
- 20,000, 40,000 or 60,000 BTU total input

Options & Accessories

- Stainless steel back and bottom
 - Fully grooved griddle, add suffix U (i.e. GD-15GU) or grooved sections, add U1 for 12"(305mm) on left side and U2 for 24" (610mm) on left side
- Note : Stands are available see form # CS24/CSD

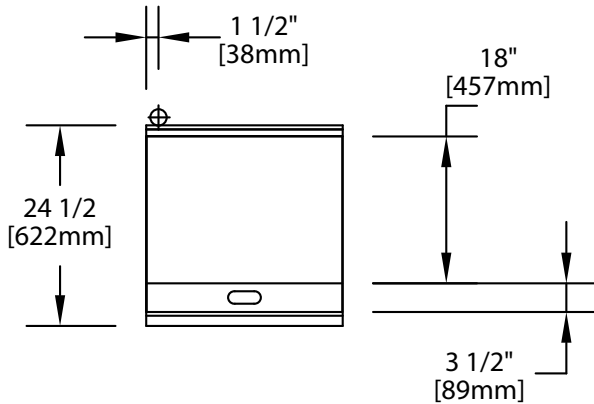
Specifications

Gas designer series griddles in three widths: models GD-15G(GTH), 15" (381mm) wide; GD-24G(GTH), 24"(610mm) wide and GD-36G(GTH), 36" (914mm) wide. Designed as free standing or to be banked with other GD series equipment. 24" (610mm) deep x 15" (381mm) high, easy clean design with stainless steel front and sides, fully grooved or grooved section griddle available. Griddles valve (G) or thermostat (GTH) controlled, piezo spark ignition, natural or propane gas, input ratings of 20,000, 40,000 and 60,000 BTU. "CE" approved models have suffix FF and are equipped with Flame-Failure protection. Flame Failure protection is not available on thermostat controlled (GTH) models.



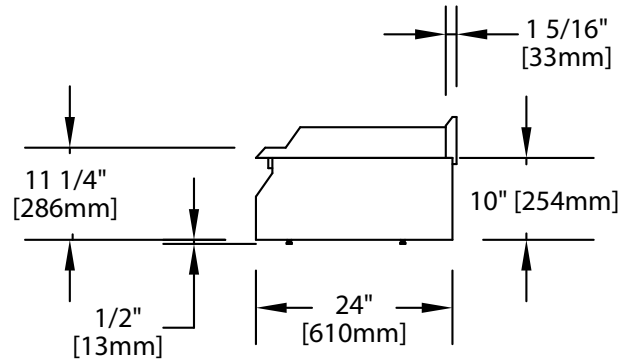
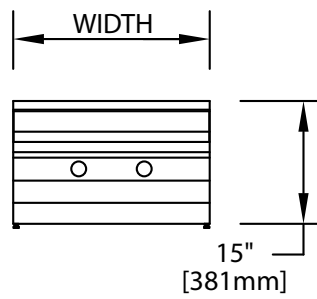
Designer Series Gas Griddles

Designer Series Gas Griddles



Gas Input ratings shown here are for installations up to 2,000 ft. (610m) above sea level. Specify altitudes over 2,000 ft.

Garland products are not approved or authorized for home or residential use, but are intended for commercial applications only. Garland will not provide service, warranty, maintenance or support of any kind other than in commercial applications.



Model	Over All Dimensions			Total Input BTU/Kw	CU. Ft.	Ship Wt Lb/kg
	Width	Height	Depth			
GD-15G (FF), GD-15GTH	15" (381mm)	15" (381mm)	24" (610mm)	20,000/5.86	5	85/39
GD-24G (FF), GD-24GTH	24" (610mm)	15" (381mm)	24" (610mm)	40,000/11.72	8	146/66
GD-36G (FF), GD-36GTH	36" (914mm)	15" (381mm)	24" (610mm)	60,000/17.58	1	200/91

Clearances To Combustible Wall		Floor or Base
Sides	Back	
6" (152mm)	6" (152mm)	Combustible

Manifold Inlet Size NPT	Manifold Operating Pressure			
	Natural		Propane	
	"WC	mbar	"WC	mbar
3/4"	4.0	10	10	24.9

Welbilt reserves the right to make changes to the design or specifications without prior notice.