

# Designer Series Gas Broilers

Project \_\_\_\_\_  
Item \_\_\_\_\_  
Quantity \_\_\_\_\_  
CSI Section 11400  
Approved \_\_\_\_\_  
Date \_\_\_\_\_

## Models

- GD-18RB      • GD-24RB      • GD-30RB      • GD-36RB
- GD-18RBFF    • GD-24RBFF    • GD-30RBFF    • GD-36RBFF



Model GD-24RB

## Standard Features

- Standard Features:
- Stainless steel front and sides
- 4" (102mm) Sanitary legs
- Easy clean design
- 18" (457mm) deep cooking surface
- Cast iron radiants
- Piezo spark ignition
- Hi-Lo control valve
- Rear gas connection w/pressure regulator
- Natural or propane gas
- 45,000, 60,000, 75,000 or 90,000 BTU total input
- "CE" approved models are equipped with Flame-Failure protection and have suffix "FF"

## Options & Accessories

- Stainless steel back and bottom
- Removable stainless steel 3-piece broiler splatter guard specify width. Shield will add 10" height around top section of broiler.

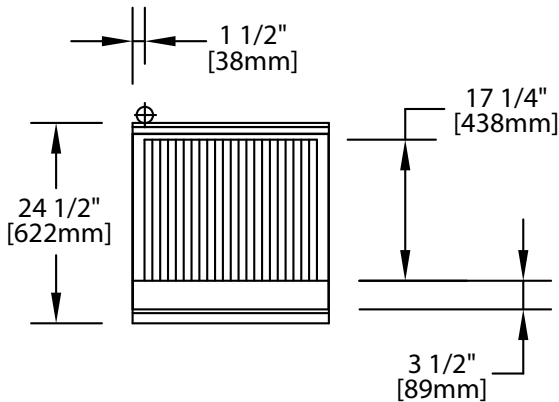
Note: Stands are available see form # CS24/CSD

## Specifications

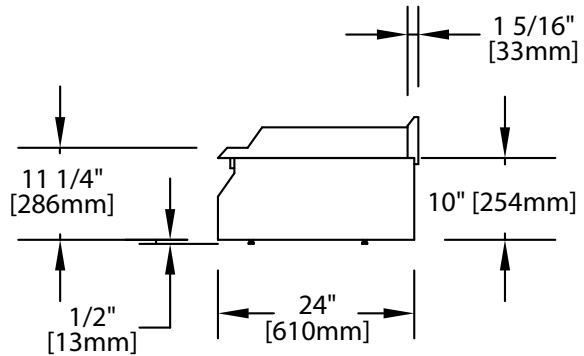
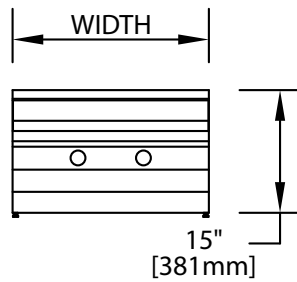
Gas designer series broilers in four widths; models GD-18RB 18" (460mm) wide GD-24RB 24"(610mm) wide GD-30RB 30" (760mm wide) and GD-36RB 36" (914mm) wide. Designed as free standing or to be banked with other GD series equipment. 24" (610mm) deep x 15" (381mm) high, easy clean design with stainless steel front and sides, cast iron radiants, and optional broiler splatter shield. Hi-Lo valve controlled, piezo spark ignition, natural or propane gas, 45,000, 60,000, 75,000 and 90,000 BTU. "CE" approved models are equipped with Flame-Failure protection and have suffix "FF".



# Designer Series Gas Broilers



Gas Input ratings shown here are for installations up to 2,000 ft. (610m) above sea level. Specify altitudes over 2,000 ft.  
 Garland products are not approved or authorized for home or residential use, but are intended for commercial applications only. Garland will not provide service, warranty, maintenance or support of any kind other than in commercial applications.



Model	Over All Dimensions			Total Input BTU/Kw	CU. Ft.	Ship Wt Lb/kg
	Width	Height	Depth			
GD-18RB(FF)	18" (460mm)	15" (381mm)	24" (610mm)	45,000/13.19	8	110/50
GD-24RB(FF)	24" (610mm)	15" (381mm)	24" (610mm)	60,000/17.58	8	150/88
GD-30RB(FF)	30" (760mm)	15" (381mm)	24" (610mm)	75,000/21.98	9	200/91
GD-36RB(FF)	36" (914mm)	15" (381mm)	24" (610mm)	90,000/26.37	11	240/109

Non Combustible Installation only		Floor or Base
Sides	Back	
0"	0"	Non Combustible

Manifold Inlet Size NPT	Manifold Operating Pressure			
	Natural		Propane	
	"WC	mbar	"WC	mbar
3/4"	4.0	10	10	24.9

Welbilt reserves the right to make changes to the design or specifications without prior notice.