

Project \_\_\_\_\_  
Item \_\_\_\_\_  
Quantity \_\_\_\_\_  
CSI Section 11400  
Approved \_\_\_\_\_  
Date \_\_\_\_\_

# Garland HEMST Series Equipment Stands

Garland HEMST Series Equipment Stands

## Models

- HEMST-24 for HEEGM24CL(CE)
- HEMST-48 for HEEGM48CL(CE)
- HEMST-36 for HEEGM36CL(CE)
- HEMST-60 for HEEGM60CL(CE)



HEMST-36  
(shown with optional casters)

## Standard Features

- Stainless steel construction, including 2" (51mm) square tube legs.
- Stand height is 21" (533mm), resulting in 36" (900mm) cooking height when used for HEEGM series charbroilers.
- Available in 24" (610mm), 34" (864mm), 48" (1219mm) and 58" (610-1473 mm) widths
- Intermediate shelf
- 2" (51mm) square tubing legs
- Bullet feet

## Options & Accessories

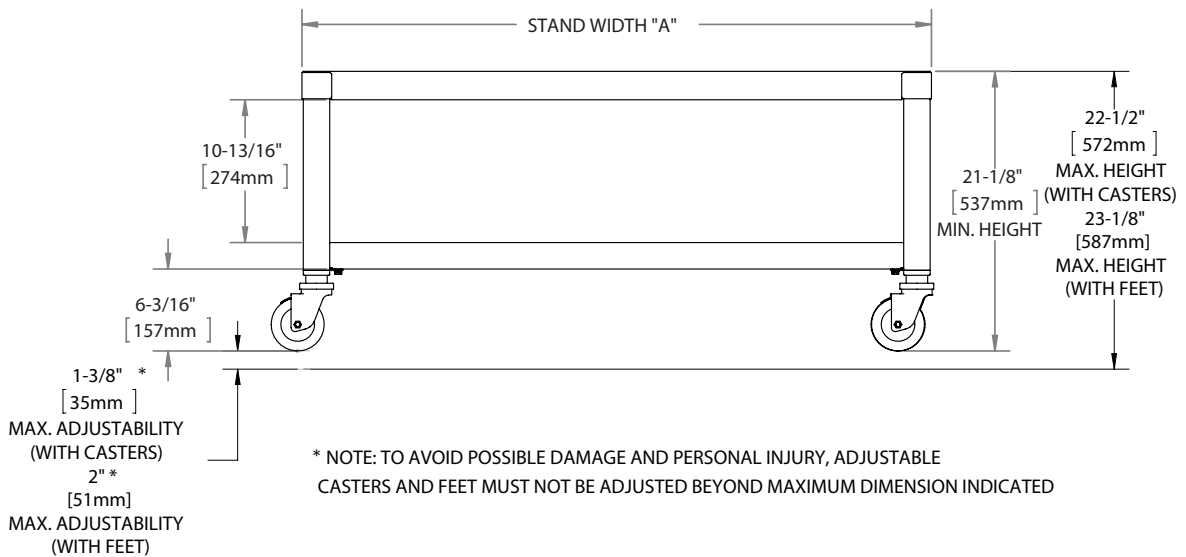
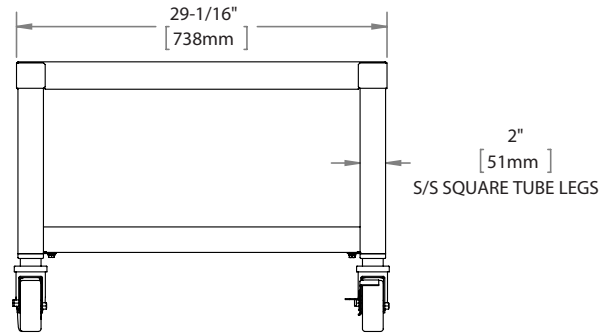
- Adjustable swivel castes (2 locking & 2 non-locking)

## Specifications

Shall be Garland HEMST series countertop equipment stand for use with the High Efficiency (HEEGM) Char-Broiler. Model \_\_\_\_\_ with standard stainless steel finish. Unit to have intermediate shelf.



# Garland HEMST Series Equipment Stands



Many local codes exist and it is the responsibility of the owner and installer to comply with those codes.

Garland/U.S. Range products are not approved or authorized for home or residential use, but are intended for commercial applications only. Garland/U.S. Range will not provide service, warranty, maintenance or support of any kind other than in commercial applications.

| Model Number | Standard Width "A" inch (mm) | Shipping Dimensions (inch/ mm) |         |          | Cu. Ft. | Ship Wt. lbs/kg |
|--------------|------------------------------|--------------------------------|---------|----------|---------|-----------------|
|              |                              | Width                          | Depth   | Height   |         |                 |
| HEMST-24     | 23-5/8" (600)                | 33/ 838                        | 26/ 667 | 9/ 229   | 4.5     | 66/30           |
| HEMST-36     | 33-5/8" (854)                | 36/ 921                        | 36/ 914 | 9/ 229   | 6.8     | 100/45.5        |
| HEMST-48     | 47-5/8" (1209)               | 49/ 1245                       | 36/ 914 | 9/ 229   | 9.2     | 166/75          |
| HEMST-60     | 57-5/8" (1463)               | 65/ 1651                       | 32/ 806 | 7.5/ 191 | 9.0     | 200/91          |

Welbilt reserves the right to make changes to the design or specifications without prior notice.