

Project \_\_\_\_\_  
Item \_\_\_\_\_  
Quantity \_\_\_\_\_  
CSI Section 11400  
Approved \_\_\_\_\_  
Date \_\_\_\_\_

# Garland HEMST Series Equipment Stands

Garland HEMST Series Equipment Stands

## Models

- HEMST-24 for HEEGM24CL(CE)
- HEMST-48 for HEEGM48CL(CE)
- HEMST-36 for HEEGM36CL(CE)
- HEMST-60 for HEEGM60CL(CE)



HEMST-36  
(shown with optional casters)

## Standard Features

- Stainless steel construction, including 2" (51mm) square tube legs.
- Stand height is 21" (533mm), resulting in 36" (900mm) cooking height when used for HEEGM series charbroilers.
- Available in 24" (610mm), 34" (864mm), 48" (1219mm) and 58" (610-1473 mm) widths
- Intermediate shelf
- 2" (51mm) square tubing legs
- Bullet feet

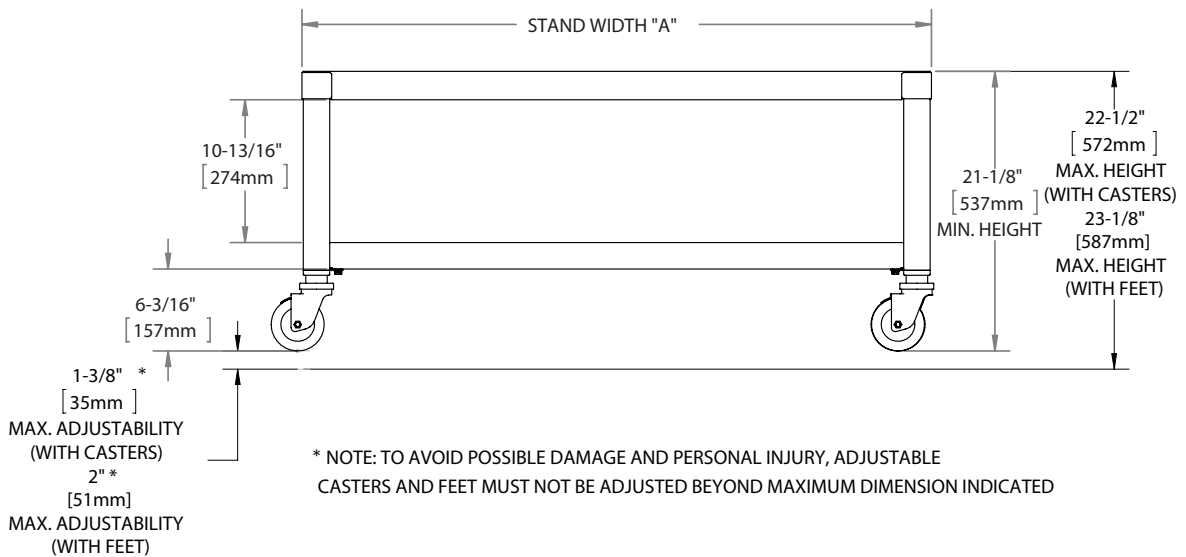
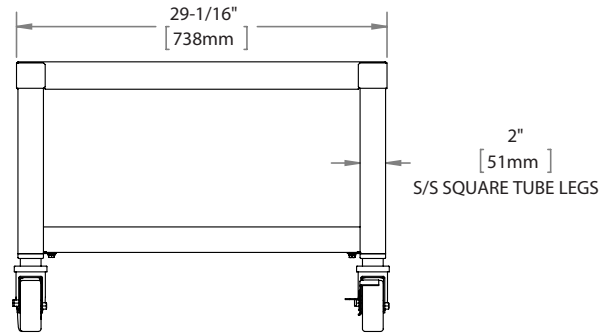
## Options & Accessories

- Adjustable swivel castes (2 locking & 2 non-locking)

## Specifications

Shall be Garland HEMST series countertop equipment stand for use with the High Efficiency (HEEGM) Char-Broiler. Model \_\_\_\_\_ with standard stainless steel finish. Unit to have intermediate shelf.





Many local codes exist and it is the responsibility of the owner and installer to comply with those codes.

Garland/U.S. Range products are not approved or authorized for home or residential use, but are intended for commercial applications only. Garland/U.S. Range will not provide service, warranty, maintenance or support of any kind other than in commercial applications.

Model Number	Standard Width "A" inch (mm)	Shipping Dimensions (inch/ mm)			Cu. Ft.	Ship Wt. lbs/kg
		Width	Depth	Height		
HEMST-24	23-5/8" (600)	33/ 838	26/ 667	9/ 229	4.5	66/30
HEMST-36	33-5/8" (854)	36/ 921	36/ 914	9/ 229	6.8	100/45.5
HEMST-48	47-5/8" (1209)	49/ 1245	36/ 914	9/ 229	9.2	166/75
HEMST-60	57-5/8" (1463)	65/ 1651	32/ 806	7.5/ 191	9.0	200/91

Welbilt reserves the right to make changes to the design or specifications without prior notice.