

Project _____
Item _____
Quantity _____
CSI Section 11400
Approved _____
Date _____

Garland HEMST Series Equipment Stands

Garland HEMST Series Equipment Stands

Models

- HEMST-24 for HEEGM24CL(CE)
- HEMST-48 for HEEGM48CL(CE)
- HEMST-36 for HEEGM36CL(CE)
- HEMST-60 for HEEGM60CL(CE)



HEMST-36
(shown with optional casters)

Standard Features

- Stainless steel construction, including 2" (51mm) square tube legs.
- Stand height is 21" (533mm), resulting in 36" (900mm) cooking height when used for HEEGM series charbroilers.
- Available in 24" (610mm), 34" (864mm), 48" (1219mm) and 58" (610-1473 mm) widths
- Intermediate shelf
- 2" (51mm) square tubing legs
- Bullet feet

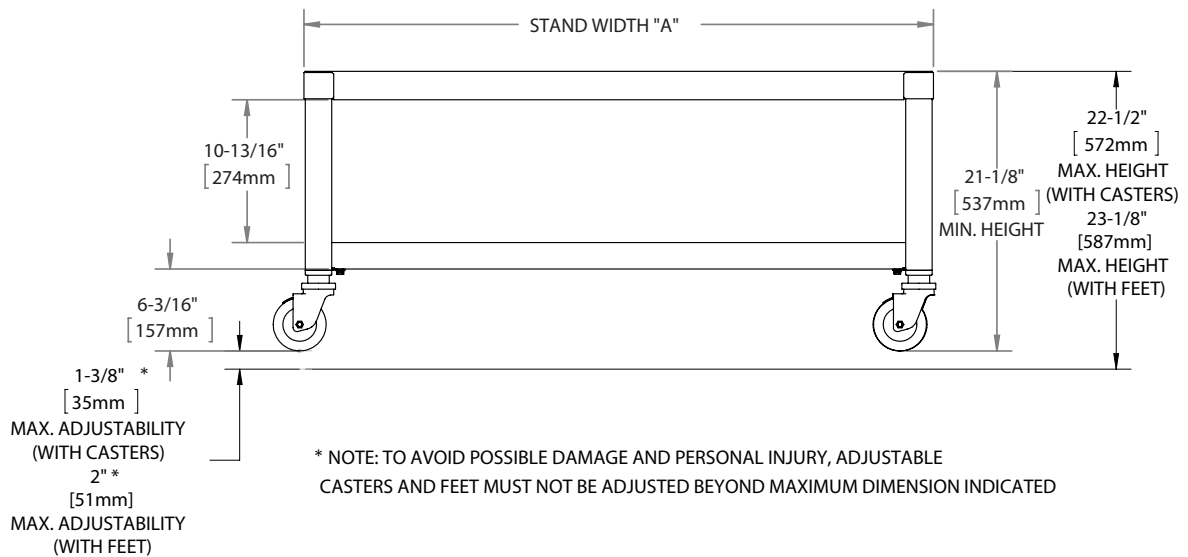
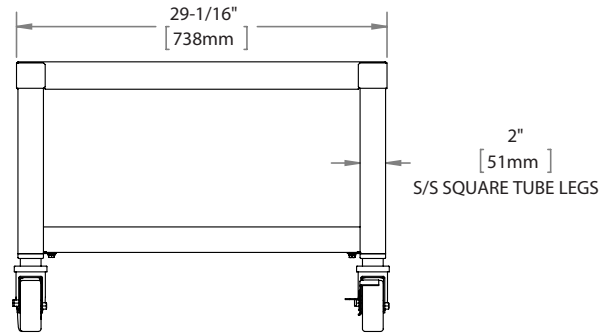
Options & Accessories

- Adjustable swivel castes (2 locking & 2 non-locking)

Specifications

Shall be Garland HEMST series countertop equipment stand for use with the High Efficiency (HEEGM) Char-Broiler. Model _____ with standard stainless steel finish. Unit to have intermediate shelf.





Many local codes exist and it is the responsibility of the owner and installer to comply with those codes.

Garland/U.S. Range products are not approved or authorized for home or residential use, but are intended for commercial applications only. Garland/U.S. Range will not provide service, warranty, maintenance or support of any kind other than in commercial applications.

Model Number	Standard Width "A" inch (mm)	Shipping Dimensions (inch/ mm)			Cu. Ft.	Ship Wt. lbs/kg
		Width	Depth	Height		
HEMST-24	23-5/8" (600)	33/ 838	26/ 667	9/ 229	4.5	66/30
HEMST-36	33-5/8" (854)	36/ 921	36/ 914	9/ 229	6.8	100/45.5
HEMST-48	47-5/8" (1209)	49/ 1245	36/ 914	9/ 229	9.2	166/75
HEMST-60	57-5/8" (1463)	65/ 1651	32/ 806	7.5/ 191	9.0	200/91

Welbilt reserves the right to make changes to the design or specifications without prior notice.