

Project _____
Item _____
Quantity _____
CSI Section 11400
Approved _____
Date _____

Master Series High-Shelves

Master Series High-Shelves

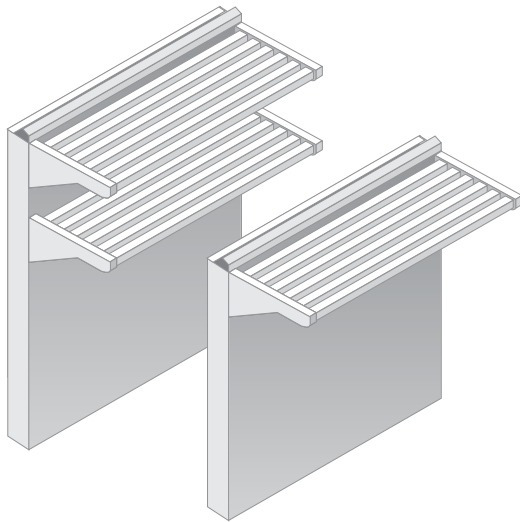
Models

Double Deck High-Shelves

- | | | | | |
|---------|---------|---------|---------|---------|
| • M17DD | • M24DD | • M29DD | • M34DD | • M41DD |
| • M46DD | • M48DD | • M51DD | • M58DD | • M68DD |

Single Deck High-Shelf

- | | | | | |
|---------|---------|---------|---------|---------|
| • M17SD | • M24SD | • M29SD | • M34SD | • M41SD |
| • M46SD | • M48SD | • M51SD | • M58SD | • M68SD |



Standard Features

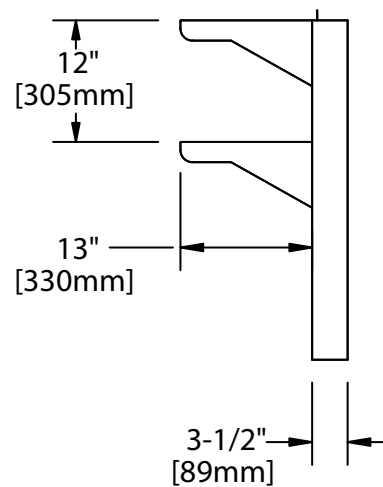
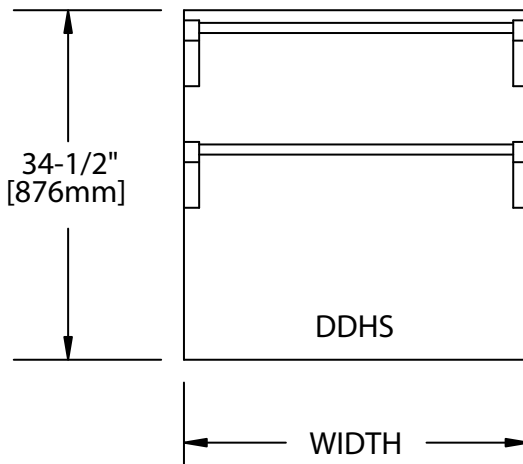
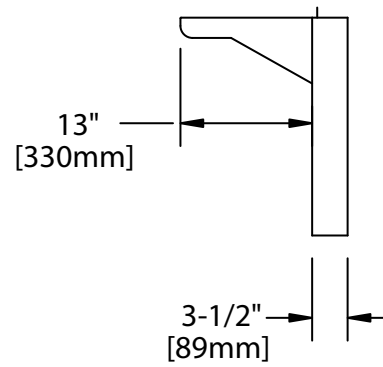
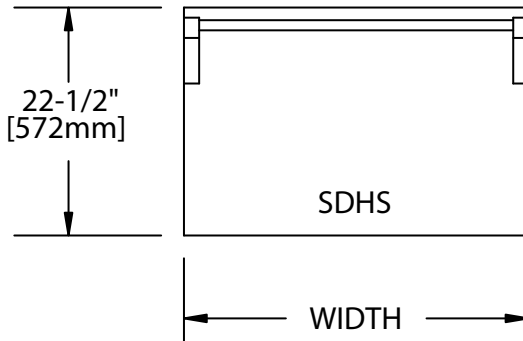
- Stainless steel front and both sides are standard
- Provides recommended emit venting for safe & efficient operation of all Master Series ranges attachments, open broilers and fryers.
- Designed for easy and precise attachment to all Master Series ranges and equipment
- Available optional stainless steel main back
- Available in range of ten, (10), standard sizes up to a maximum of 68 inches, (1728mm)

Specifications

Double and Single Deck High Shelves are precisiondesigned to install with all Master Series ranges, and attachments up to a maximum width of 68 inches, (1728mm), (other sizes can be special-ordered). Shelves constructed of 1" (25mm) square tubing with 1" (25mm) spaces between each tube, provide convenient storage for condiments and cooking utensils.

Master Series High-Shelves

DDHS = Double Deck High Shelf
 SDHS = Single Deck High Shelf



Welbilt reserves the right to make changes to the design or specifications without prior notice.