

Master Series High-Shelves

Project _____
Item _____
Quantity _____
CSI Section 11400
Approved _____
Date _____

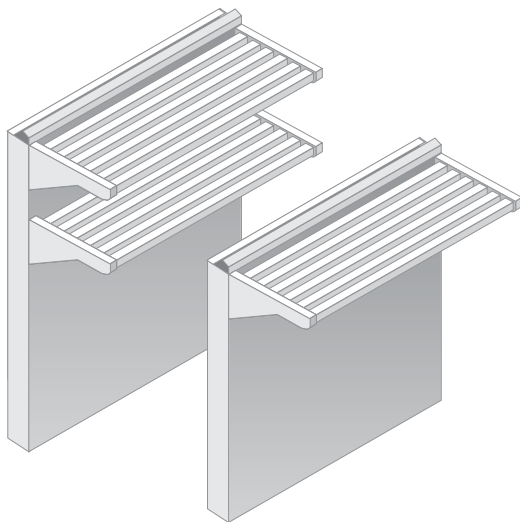
Models

Double Deck High-Shelves

- M17DD • M24DD • M29DD • M34DD • M41DD
- M46DD • M48DD • M51DD • M58DD • M68DD

Single Deck High-Shelf

- M17SD • M24SD • M29SD • M34SD • M41SD
- M46SD • M48SD • M51SD • M58SD • M68SD



Standard Features

- Stainless steel front and both sides are standard
- Provides recommended emit venting for safe & efficient operation of all Master Series ranges attachments, open broilers and fryers.
- Designed for easy and precise attachment to all Master Series ranges and equipment
- Available optional stainless steel main back
- Available in range of ten, (10), standard sizes up to a maximum of 68 inches, (1728mm)

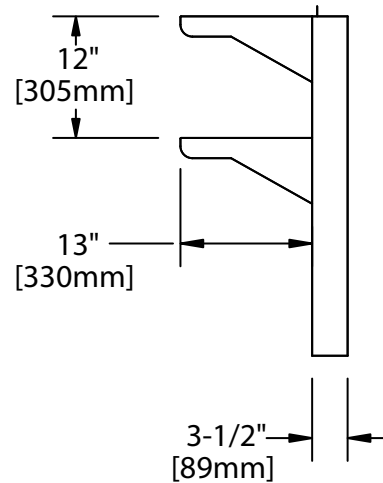
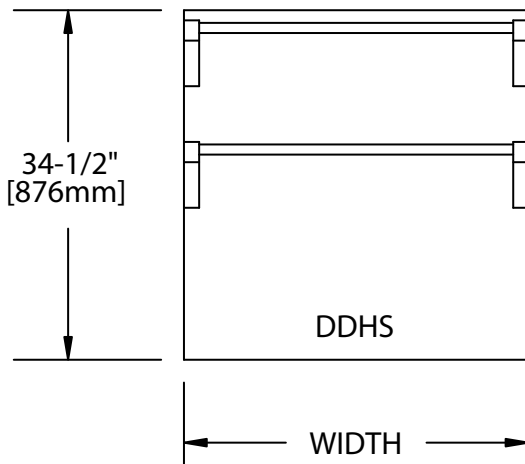
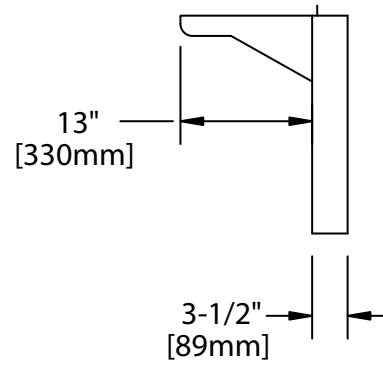
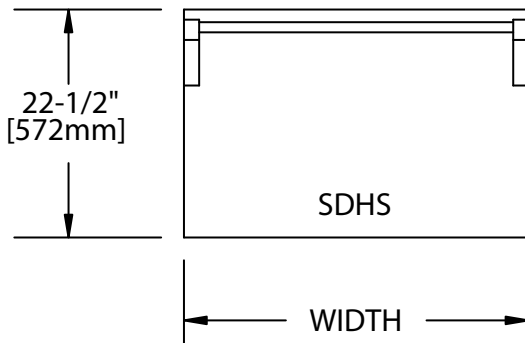
Specifications

Double and Single Deck High Shelves are precisiondesigned to install with all Master Series ranges, and attachments up to a maximum width of 68 inches, (1728mm), (other sizes can be special-ordered). Shelves constructed of 1" (25mm) square tubing with 1" (25mm) spaces between each tube, provide convenient storage for condiments and cooking utensils.

Master Series High-Shelves

Master Series High-Shelves

DDHS = Double Deck High Shelf
 SDHS = Single Deck High Shelf



Welbilt reserves the right to make changes to the design or specifications without prior notice.