



# Master Series Front-Fired Hot Top Range Attachment

Item: \_\_\_\_\_  
 Quantity: \_\_\_\_\_  
 Project: \_\_\_\_\_  
 Approval: \_\_\_\_\_  
 Date: \_\_\_\_\_

Master Series Front-Fired Hot Top Range Attachment

### Models:

- MST5S       MST5S-E       MST5T       MST5T-E

### 17" Front-Fired Hot Top Range Attachment

PHOTO NOT AVAILABLE

### Standard Features:

- Stainless steel front and sides
- Stainless steel door on storage base
- 6" (152mm) chrome steel adj. legs
- 7-1/2" (191mm) stainless steel front rail
- Extra heavy cast iron top sections
- Removable cast iron ring; and lid
- Stainless steel burner box bottom
- Storage base interior of aluminized steel
- Heavy gauge aluminized steel radiation baffle system
- Three individually controlled jet burners 40,000 BTU (11.71 Kw) total, 30,000 BTU (8.78kW) for CSA approved propane models.
- Electric Spark ignition on all pilots Suffix -E models
- Sentry total flame failure protection for all burners,

### Optional Features:

- Stainless steel main back
- Stainless steel common front rail up to 102" (2591mm) wide (two or more units in a battery)
- End cap and cover (NC, Specify)

- Gas regulator 3/4" or 1-1/4"
- Gas shut off valve; 3/4", 1" or 1-1/4" NPT
- Gas flex hose & quick disconnect (3/4", 1" or 1-1/4" NPT x 5') w/ restraining device, please specify
- Rear gas connection 3/4", 1" or 1-1/4", external left or right side mount, stainless steel 5-1/4" (133mm) x 4-1/4" (108mm) enclosure gas line, adds 5-1/4" (133mm) to width
- Polyurethane non-marking swivel casters (4) w/front brakes
- 6" (152mm) stainless steel adj. legs
- Modular stand, (T model)
- Dais base (W/O legs, S model)
- Storage base shelf of aluminized or stainless steel
- Stainless steel tubular high shelf, single or double deck
- Stainless steel backguard: 10" (354mm), 17" (432mm) or 33" (838mm) H
- 230 volt, 50 cycle components, electric ignition (export)

### Specifications:

Heavy-duty gas range attachment with storage base, Model MST5S. One front-fired spectro-heat hot top. 17" (432mm) wide x 38" (965mm) deep, including 7-1/2" (191mm) deep stainless steel front rail. Stainless steel front and sides. 40,000 BTU (11.71 kW) total. Natural or propane gas. Sentry total flame failure protection for all burners. Also available with modular top, suffix T.



NOTE: Attachments supplied with casters must be installed with an approved restraining device.



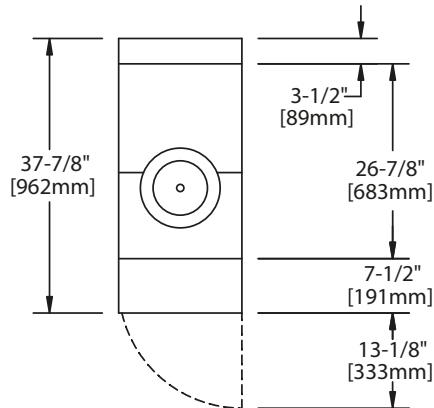
Product	Width: In(mm)	Depth: In(mm)	Height: In(mm) (w/ NSF Legs)	Height: In(mm) (w/o NSF Legs)	Storage Base Interior: in(mm)		
					Width	Depth	Height
MST5S	17(432)	38(965)	36-3/8(924)	30-3/8(772)	14(356)	32-1/2(826)	20-1/2(519)
MST5T	17(432)	38(965)	36-3/8(924) w/stand	9-1/2 (241) w/o stand*	N/A	N/A	N/A

\*Modular top has 1-1/2" seating flanges.

Total INPUT-BTU/hr	MST5S	MST5T
Top Section (Natural): CSA and CE Approved Models	40,000 (11.71 kW)	40,000 (11.71 kW)
Top Section (Propane): CSA Approved Models	30,000 (8.78 kW)	30,000 (8.78 kW)
Top Section (Propane): CE Approved Models	40,000 (11.71 kW)	40,000 (11.71 kW)

S=Range w/Storage Base T=Modular Top

INSTALLATION NOTES			Shipping Wt: (Lb/Kg) – CuFt
Combustible Wall Clearances <sup>1</sup>	Entry Clearances	Operating Pressure	MST5S 230/1051 – 26 MST5T 1138/63 – 9
Sides: 14" (356mm) Back: 6" (152mm)	Crated: 22 1/4" (565mm) Uncrated: 17-1/4" (438mm)	Natural: 6" WC (15mbar) Propane: 10" WC (25mbar)	



<sup>1</sup>NOTE: Installation clearance reductions are applicable only where local codes permit.

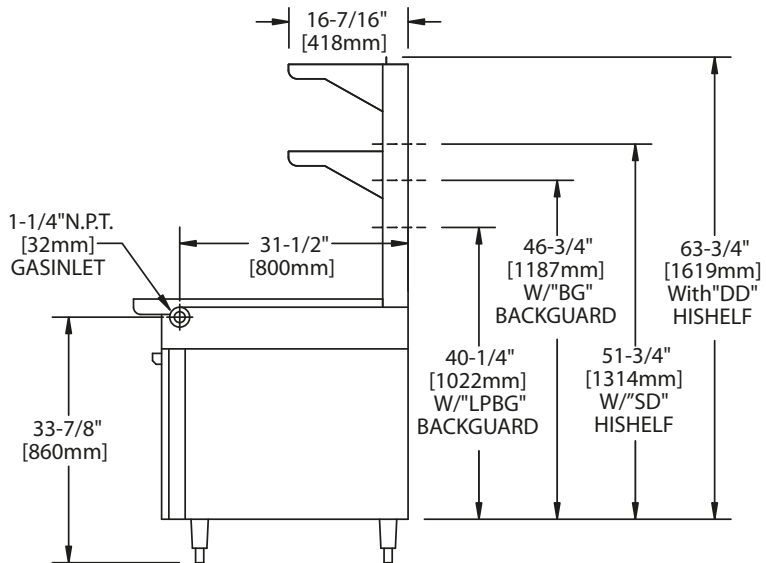
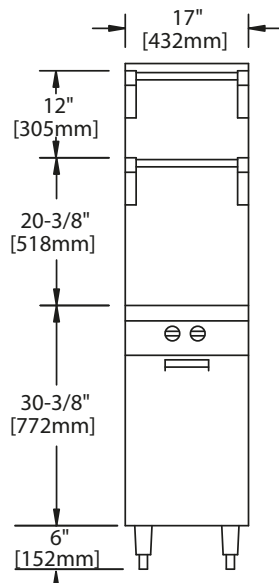
Gas input ratings shown here are for installations up to 2,000 ft. (610m) above sea level. Specify altitudes over 2,000 ft.

Please specify gas type when ordering.

Electrical characteristics for models with Suffix - E: 120VAC single phase 60 Hz, 1 amp 6 ft. (1.8m) NEMA 5-15P cord and plug provided. 230VAC export direct connect single phase 50 Hz, 1 amp.

Garland/U.S. Range products are not approved or authorized for home or residential use, but are intended for commercial applications only.

Garland / U.S. Range will not provide service, warranty, maintenance or support of any kind other than in commercial applications



Form# MST5 (05/27/13)