

HyGenikx Features and Benefits: Dual Wave Lamp Models for ... Food Zone Environment

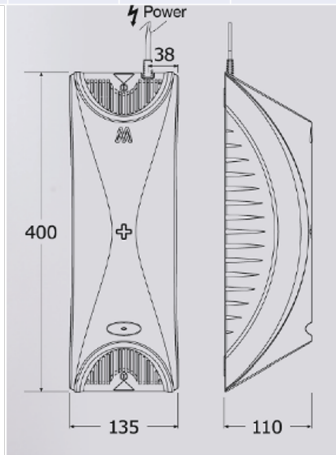
HyGenikx is an advanced and compact, wall mounted air and surface sanitizer system. Features & Benefits include ...

- Around the clock (24/7) infection control for customers, employees and staff
- Safe to use and safe for the environment
- Approved for installation in occupied work areas, including food zones
- Significantly improves hygiene standards to levels impossible to maintain with traditional cleaning methods alone
- Kills bacteria, viruses, molds, fungi and volatile organic compounds (VOC's), both in the air and on exposed surfaces, even in the hardest to reach places
- Kills various strains of viruses; Escherichia coli (E. coli), Staphylococcus aureus (S. aureus), Clostridium difficile (C. difficile), Aspergillus fumigatus, and other primary sources of infections
- Proven to deplete harmful Listeria monocytogenes and Listeria innocua from surfaces to undetectable levels
- Eradicates unpleasant odors by tackling them at source
- Extends the shelf-life of perishable food on average by 58%, and up 150% for certain produce
- Low power consumption – 120 volt / 9-13 Watts
- DIY Easy to change lamp and backup battery
- Polycarbonate shell – is easy to keep clean
- Available in white or titanium finish
- Models to suit various applications, where food is being prepared and/or stored such as ... Walk-in coolers & freezers; Food preparation areas of a food service facility; Any fresh food storage areas, and the like
- CE mark / SGS Certified



Model Dimensions

Model #	Height	Width	Depth	Weight
All HGX Models	400 mm	135 mm	110 mm	1.9 Kg
All HGX Models	15.75 in.	5.3 in.	4.3 in.	4.2 lbs.



Short-Form Specification

Shall be **Hygenikx** model: HGX- _____
 _ - NA; Air and surface sanitizing system for destroying viruses, bacteria, VOC's, mold, and fungi and eradicate unpleasant odors. Wall mounted; 120 volt / 9-13 watts; c/w cord and plug; measuring 15.3/4" high x 5 1/3" wide x 4 1/3" deep. Utilizes a combination of Germicidal Irradiation, PCO – Photo Catalytic Oxidation and Dual Waveband UV Technology for providing hygiene and safety protection for customers and staff. Approved for installation in people occupied areas, helping to reduce the transmission of infectious diseases. Proven to reduce food spoilage and extend food shelf life

Technical Data Dual Wave Lamp Models

Food Zone Environment Models		Food Zone Environment : This would consist of any environment where food is being prepared and/or stored such as ... Walk-in coolers & freezers; Food preparation areas of a food service facility; Any fresh food storage areas; and the like.
HGX-W20F-NA HGX-T20F-NA HGX-W30F-NA HGX-T30F-NA		
Region	USA & Canada	
Air purifying technology	Nano-titanium dioxide photocatalytic oxidation + UV-C	
UV-C lamp tube	1 x 18w PLL composite tube	
UV-C intensity inside chamber	15000 µW/cm ²	
UV-C lamp tube life	Approx. 8000 + hours	
Air residence time inside chamber	> 0.5 seconds	
Number of photocatalytic baseplates	4 pieces	
Noise level @ 1 metre	<39dB (when alarm is sounding)	
Air flow rate	20 m ³ /hr	
Suggested coverage	10 – 30 m ²	10 - 40 m ²
Installation	Wall mount	
Housing material	Aluminum alloy – internal, polycarbonate front, ABS base	
Color	Front – White/Titanium, Back – Grey	
UV-C lamp tube model	S – 18/27/54mg F – 27/54/80 mg R – 100 mg	O – 9/18 mg
Battery Specifications		
All HyGenikx's models HGX - W/T... are powered by ER14250 battery in addition to Main power supply		
Type	Lithium Thionyl Chloride	
Voltage	3.6V	
Electrical Specifications		
Power Consumption	9-13W	
Voltage	120V	
Frequency	60Hz	
Input supply requirements	To be connected into suitably isolated fused spur taking power polarity into account (<i>a plug can be used, but is not supplied</i>)	
Cordset	2 Core 18AWG polarity specific (L+N), 5 feet total length, UL E254458 NISPT-2	
Input protection	Microswitch actuated single pole safety switch	
Dimensions & Weight		
Dimensions	15.7" (L) X 5.3" (W) X 4.3" (D)	
Weight	4.2 Pounds	

Environment	Area Covered -- ft ² -- Room Size	Model Number	Color
Food Zone Environment	100 ft ² to 215 ft ²	HGX-W20F-NA	White
		HGX-T20F-NA	Titanium
	325 ft ²	HGX-W30F-NA	White
		HGX-T30F-NA	Titanium

May 2021

Hygenikx Technologies reserves the right of design improvement or modification, as warranted without notice.



9401 Mentor Avenue; Suite #163
 Mentor, Ohio 44060 -- U.S.A.
www.hxttechnologies.com

