

Model Number

IFSSP250	IFSSP275
IFSSP350	IFSSP375
IFSSP450	IFSSP475
IFSSP550	IFSSP575
IFSSP650	IFSSP675

Add suffix "T" for Electronic Thermostat

Add suffix "C" for Computer Controls



Filter is located under fryers to save valuable space.



Filter pan is designed for maximum oil return.



5.5 GPM, 1/3 HP roller pump speeds up filtering process.



IFSSP250

**FILTER PACKAGE CHOICES** - Up to six fryers can be battered into one fryer / filter system.

- Available for 50 and 75 lb. (27 and 41 Liters) oil capacity fryers.
- Available with Snap Action Thermostats, Electronic Thermostats or Computer Controls

**LOCATED UNDER FRYERS** - Filter location under fryers saves valuable space.

- Internally plumbed oil drain and return line.

**UNIQUE FILTER PAN DESIGN** - Filter pan is designed for maximum oil return.

- Stainless steel construction is easy to clean and has a professional look.
- Positive-latching filter paper holder holds paper in place for optimal filtration.
- Quick disconnect connection offers quick and safe connection of the filtered oil back into the frypots.
- All oil drain and return lines are internally plumbed for convenience and safety.

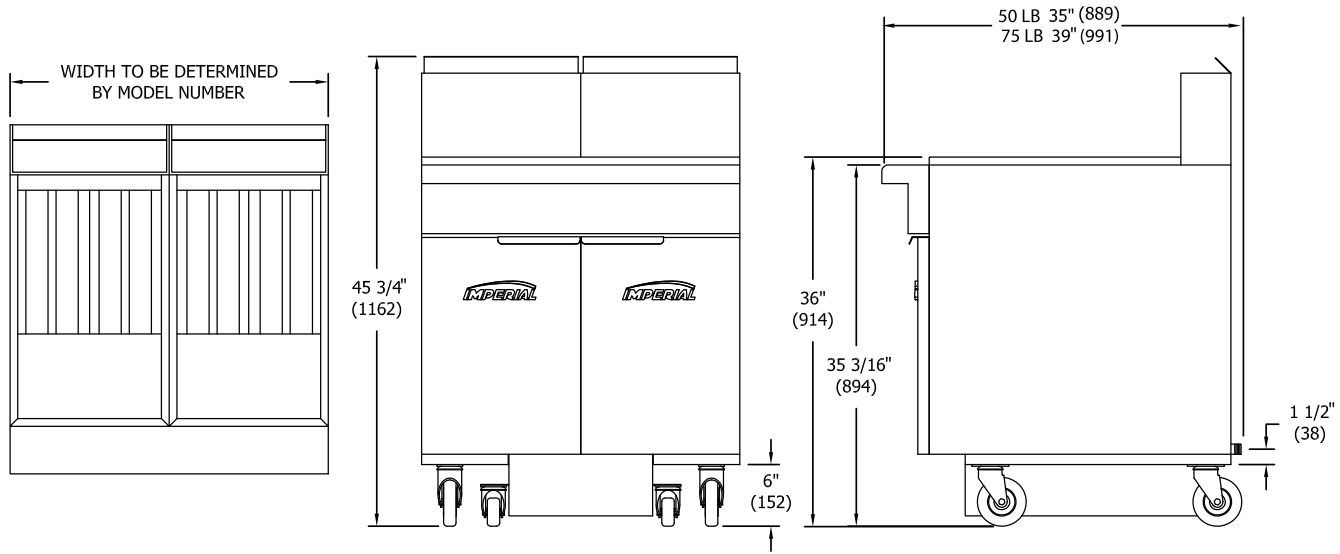
**ROLLER-PUMP** - Up to six fryers can be battered into one fryer / filter system.

- 5.5 GPM pump with a 1/3 HP motor speeds up filtering process.
- Can pump oil into a disposal vat up to 20 feet away.

**EXTERIOR FEATURES** - Continuous cabinet provides a professional look.

- 5" (127 mm) deep continuous stainless steel front landing ledge.
- Stainless steel precision welded frypot.
- Includes casters, joiner strips and filter starter kit.
- Rear gas manifold with one point gas connection.





**SPACE SAVER TUBE FIRED FRYER/FILTER SYSTEMS**

MODEL	FRYER OIL CAPACITY	FRYER DEPTH	NUMBER OF FRYERS	SHIP WEIGHT (KG)	LBS
IFSSP250	50 lbs. (41 L)	30" (762 mm)	2	(252)	556
IFSSP350	50 lbs. (41 L)	30" (762 mm)	3	(367)	809
IFSSP450	50 lbs. (41 L)	30" (762 mm)	4	(482)	1062
IFSSP550	50 lbs. (41 L)	30" (762 mm)	5	(596)	1315
IFSSP650	50 lbs. (41 L)	30" (762 mm)	6	(711)	1568
IFSSP275	75 lbs. (51 L)	34" (864 mm)	2	(268)	590
IFSSP375	75 lbs. (51 L)	34" (864 mm)	3	(390)	860
IFSSP475	75 lbs. (51 L)	34" (864 mm)	4	(513)	1130
IFSSP575	75 lbs. (51 L)	34" (864 mm)	5	(635)	1400
IFSSP675	75 lbs. (51 L)	34" (864 mm)	6	(758)	1670

Measurements in ( ) are metric equivalents.

MODEL	DIMENSIONS	CRATED DIMENSIONS
IFSSP250	31" w x 35" d x 45-3/4" h (787 x 889 x 1162 mm)	32-1/2" w x 39" d x 49-1/2" h (826 x 991 x 1257 mm)
IFSSP350	46-1/2" w x 35" d x 45-3/4" h (1181 x 889 x 1162 mm)	48" w x 39" d x 49-1/2" h (1219 x 991 x 1257 mm)
IFSSP450	62" w x 35" d x 45-3/4" h (1575 x 889 x 1162 mm)	63-1/2" w x 39" d x 49-1/2" h (1613 x 991 x 1257 mm)
IFSSP550	77-1/2" w x 35" d x 45-3/4" h (1969 x 889 x 1162 mm)	79" w x 39" d x 49-1/2" h (2007 x 991 x 1257 mm)
IFSSP650	93" w x 35" d x 45-3/4" h (2362 x 889 x 1162 mm)	94-1/2" w x 39" d x 49-1/2" h (2400 x 991 x 1257 mm)
IFSSP275	39" w x 39" d x 45-3/4" h (911 x 991 x 1162 mm)	40-1/2" w x 43" d x 49-1/2" h (1029 x 1092 x 1257 mm)
IFSSP375	58-1/2" w x 39" d x 45-3/4" h (1486 x 991 x 1162 mm)	60" w x 43" d x 49-1/2" h (1524 x 1092 x 1257 mm)
IFSSP475	78" w x 39" d x 45-3/4" h (1981 x 991 x 1162 mm)	79-1/2" w x 43" d x 49-1/2" h (2019 x 1092 x 1257 mm)
IFSSP575	97-1/2" w x 39" d x 45-3/4" h (2477 x 991 x 1162 mm)	99" w x 43" d x 49-1/2" h (2515 x 1092 x 1257 mm)
IFSSP675	117" w x 39" d x 45-3/4" h (2972 x 991 x 1162 mm)	118-1/2" w x 43" d x 49-1/2" h (3010 x 1092 x 1257 mm)

FILTER ELECTRICAL REQUIREMENT			
VOLTS	PHASE	HERTZ	AMPS
115 V	1	60	6.8 amps

6ft. (1829 mm) power cord with 3 prong plug provided

**CLEARANCE REQUIREMENTS**  
 For use only on non-combustible floors. Legs or casters are required for non-combustible floors. Provide 0" clearance from non-combustible surfaces and 6" (152 mm) from combustible surfaces.

- OPTIONS AND ACCESSORIES**
- Automatic basket lifts with computerized controls
  - Manual controlled basket lifts
  - Gas shut-off valve, 3/4" N.P.T.
  - Stainless steel tank cover
  - Stainless steel side drain shelf
  - Stainless steel side splash
  - Manual timer
  - Filter paper 40# thickness, 20 microns, 100 sheets per box

