

Model Number

IFSCB150-OP IFSCB175-OP
 IFSCB250-OP IFSCB275-OP
 IFSCB350-OP IFSCB375-OP
 IFSCB450-OP IFSCB475-OP
 IFSCB550-OP IFS-CB575-OP
 IFSCB650-OP IFSCB675-OP

Add suffix "T" for Electronic
 Thermostat

Add suffix "C" for Computer
 Controls



Filter is located under fryers to save valuable space.



Filter pan is designed for maximum oil return.



5.5 GPM, 1/3 HP roller pump speeds up filtering process.



Side Car includes a stainless steel cabinet with a drain area, food warmer and dump pan.



IFSCB250-OP

FILTER PACKAGE CHOICES - Up to six fryers can be battered into one fryer / filter system.

- Available for 50 and 75 lb. (27 and 41 Liters) oil capacity fryers.
- Available with Snap Action Thermostats, Electronic Thermostats or Computer Controls.

LOCATED UNDER FRYERS - Filter location under fryers saves valuable space.

- Internally plumbed oil drain and return line

UNIQUE FILTER PAN DESIGN - Filter pan is designed for maximum oil return.

- Stainless steel construction is easy to clean and has a professional look.
- Positive-latching filter paper holder holds paper in place for optimal filtration.
- Quick disconnect connection offers quick and safe connection of the filtered oil back into the frypots.
- All oil drain and return lines are internally plumbed for convenience and safety.

ROLLER-PUMP - Up to six fryers can be battered into one fryer / filter system.

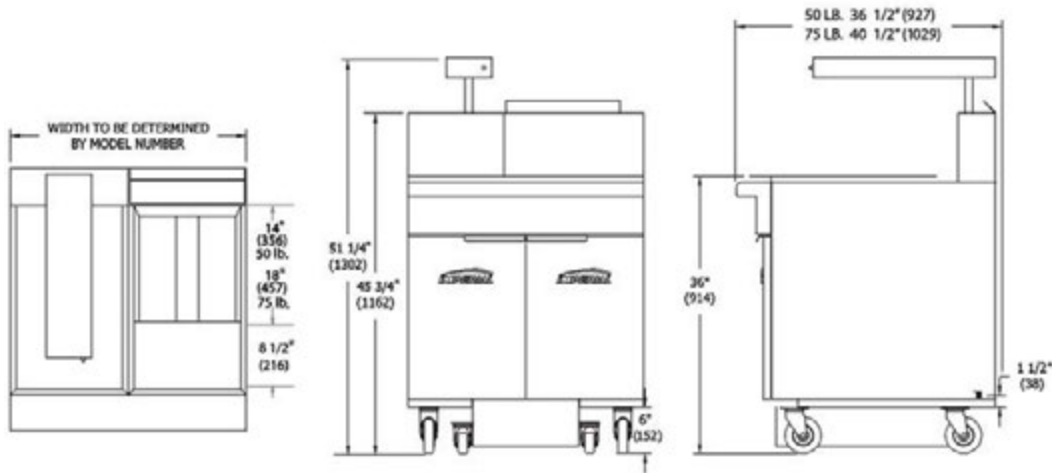
- 5.5 GPM pump with a 1/3 HP motor speeds up filtering process.
- Can pump oil into a disposal vat up to 20 feet away.

DRAIN STATION - Includes a matching stainless steel cabinet with a food warmer and dump pan.

- Cabinet may be located anywhere within the fryer battery.
- Cabinet is a convenient storage area when located at the end of the battery.

EXTERIOR FEATURES - Continuous cabinet provides a professional look.

- 5" (127 mm) deep continuous stainless steel front landing ledge.
- Stainless steel precision welded frypot.
- Includes casters, joiner strips and filter starter kit.
- Rear gas manifold with one point gas connection.



MODEL	FRYER OIL CAPACITY	OVERALL WIDTH	NUMBER OF FRYERS	SHIP WEIGHT (KG)	LBS
IFSCB150-OP	50 lbs. (41 L)	31" (787 mm)	1	(196)	433
IFSCB250-OP	50 lbs. (41 L)	46-1/2" (1,181 mm)	2	(311)	686
IFSCB350-OP	50 lbs. (41 L)	62" (1575 mm)	3	(426)	939
IFS-CB450-OP	50 lbs. (41 L)	77-1/2" (1969 mm)	4	(541)	1192
IFS-CB550-OP	50 lbs. (41 L)	93" (2362 mm)	5	(655)	1445
IFSCB650-OP	50 lbs. (41 L)	108-1/2" (2756 mm)	6	(770)	1698
IFSCB175-OP	75 lbs. (51 L)	39" (911 mm)	1	(204)	450
IFSCB275-OP	75 lbs. (51 L)	58-1/2" (1486 mm)	2	(327)	720
IFSCB375-OP	75 lbs. (51 L)	78" (1981 mm)	3	(449)	990
IFSCB475-OP	75 lbs. (51 L)	97-1/2" (2477 mm)	4	(572)	1260
IFSCB575-OP	75 lbs. (51 L)	117" (2972 mm)	5	(694)	1530
IFSCB675-OP	75 lbs. (51 L)	136-1/2" (3467 mm)	6	(816)	1800

Measurements in () are metric equivalents.

MODEL	DIMENSIONS	CRATED DIMENSIONS
IFSCB150-OP	31" w x 36-1/2" d x 45-3/4" h (787 x 927 x 1162 mm)	32-1/2" w x 39" d x 49-1/2" h (826 x 991 x 1257 mm)
IFSCB250-OP	46-1/2" w x 36-1/2" d x 45-3/4" h (1181 x 927 x 1162 mm)	48" w x 39" d x 49-1/2" h (1219 x 991 x 1257 mm)
IFSCB350-OP	62" w x 36-1/2" d x 45-3/4" h (1575 x 927 x 1162 mm)	63-1/2" w x 39" d x 49-1/2" h (1613 x 991 x 1257 mm)
IFS-CB450-OP	77-1/2" w x 36-1/2" d x 45-3/4" h (1969 x 927 x 1162 mm)	79" w x 39" d x 49-1/2" h (2007 x 991 x 1257 mm)
IFS-CB550-OP	93" w x 36-1/2" d x 45-3/4" h (2362 x 927 x 1162 mm)	94-1/2" w x 39" d x 49-1/2" h (2400 x 991 x 1257 mm)
IFSCB650-OP	108-1/2" w x 36-1/2" d x 45-3/4" h (2756 x 927 x 1162 mm)	110" w x 39" d x 49-1/2" h (2794 x 991 x 1257 mm)
IFSCB175-OP	39" w x 40-1/2" d x 45-3/4" h (911 x 1029 x 1162 mm)	40-1/2" w x 43" d x 49-1/2" h (1029 x 1092 x 1257 mm)
IFSCB275-OP	58-1/2" w x 40-1/2" d x 45-3/4" h (1486 x 1029 x 1162 mm)	60" w x 43" d x 49-1/2" h (1524 x 1092 x 1257 mm)
IFSCB375-OP	78" w x 40-1/2" d x 45-3/4" h (1981 x 1029 x 1162 mm)	79-1/2" w x 43" d x 49-1/2" h (2019 x 1092 x 1257 mm)
IFSCB475-OP	97-1/2" w x 40-1/2" d x 45-3/4" h (2477 x 1029 x 1162 mm)	99" w x 43" d x 49-1/2" h (2515 x 1092 x 1257 mm)
IFSCB575-OP	117" w x 40-1/2" d x 45-3/4" h (2972 x 1029 x 1162 mm)	118-1/2" w x 43" d x 49-1/2" h (3010 x 1092 x 1257 mm)
IFSCB675-OP	136-1/2" w x 40-1/2" d x 45-3/4" h (3467 x 1029 x 1162 mm)	138" w x 43" d x 49-1/2" h (3505 x 1092 x 1257 mm)

FILTER ELECTRICAL REQUIREMENT			
VOLTS	PHASE	HERTZ	AMPS
115 V	1	60	6.8 amps

6ft. (1829 mm) power cord with 3 prong plug provided

CLEARANCE REQUIREMENTS
For use only on non-combustible floors. Legs or casters are required for non-combustible floors. Provide 0" clearance from non-combustible surfaces and 6" (152 mm) from combustible surfaces.

- OPTIONS AND ACCESSORIES**
- Automatic basket lifts with computerized controls
 - Manual controlled basket lifts
 - Gas shut-off valve, 3/4" N.P.T.
 - Stainless steel tank cover
 - Stainless steel side drain shelf
 - Stainless steel side splash
 - Manual timer
 - Filter paper 40# thickness, 20 microns, 100 sheets per box

