

Model Number

IFSCB150-OP IFSCB175-OP  
 IFSCB250-OP IFSCB275-OP  
 IFSCB350-OP IFSCB375-OP  
 IFSCB450-OP IFSCB475-OP  
 IFSCB550-OP IFS-CB575-OP  
 IFSCB650-OP IFSCB675-OP

Add suffix "T" for Electronic Thermostat

Add suffix "C" for Computer Controls



Filter is located under fryers to save valuable space.



Filter pan is designed for maximum oil return.



5.5 GPM, 1/3 HP roller pump speeds up filtering process.



Side Car includes a stainless steel cabinet with a drain area, food warmer and dump pan.



IFSCB250-OP

**FILTER PACKAGE CHOICES** - Up to six fryers can be battered into one fryer / filter system.

- Available for 50 and 75 lb. (27 and 41 Liters) oil capacity fryers.
- Available with Snap Action Thermostats, Electronic Thermostats or Computer Controls.

**LOCATED UNDER FRYERS** - Filter location under fryers saves valuable space.

- Internally plumbed oil drain and return line

**UNIQUE FILTER PAN DESIGN** - Filter pan is designed for maximum oil return.

- Stainless steel construction is easy to clean and has a professional look.
- Positive-latching filter paper holder holds paper in place for optimal filtration.
- Quick disconnect connection offers quick and safe connection of the filtered oil back into the frypots.
- All oil drain and return lines are internally plumbed for convenience and safety.

**ROLLER-PUMP** - Up to six fryers can be battered into one fryer / filter system.

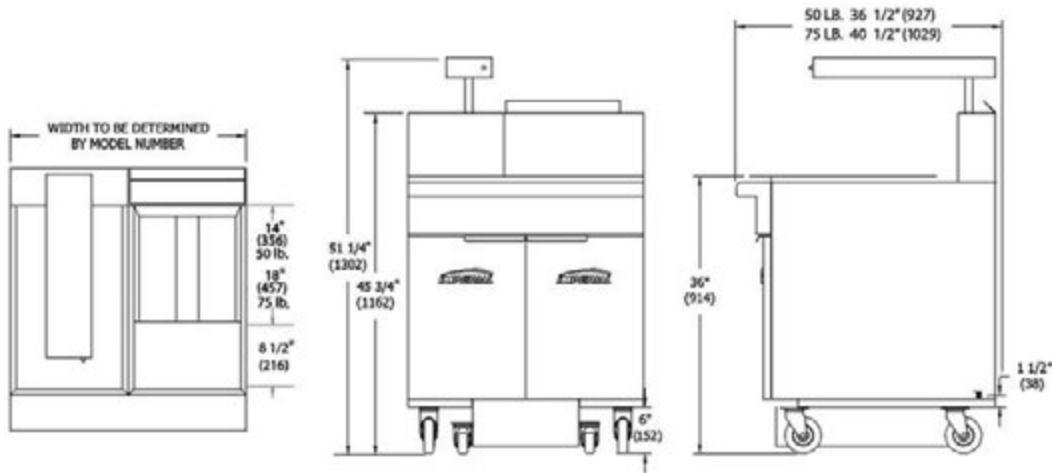
- 5.5 GPM pump with a 1/3 HP motor speeds up filtering process.
- Can pump oil into a disposal vat up to 20 feet away.

**DRAIN STATION** - Includes a matching stainless steel cabinet with a food warmer and dump pan.

- Cabinet may be located anywhere within the fryer battery.
- Cabinet is a convenient storage area when located at the end of the battery.

**EXTERIOR FEATURES** - Continuous cabinet provides a professional look.

- 5" (127 mm) deep continuous stainless steel front landing ledge.
- Stainless steel precision welded frypot.
- Includes casters, joiner strips and filter starter kit.
- Rear gas manifold with one point gas connection.



| MODEL        | FRYER OIL CAPACITY | OVERALL WIDTH      | NUMBER OF FRYERS | SHIP WEIGHT (KG) | LBS  |
|--------------|--------------------|--------------------|------------------|------------------|------|
| IFSCB150-OP  | 50 lbs. (41 L)     | 31" (787 mm)       | 1                | (196)            | 433  |
| IFSCB250-OP  | 50 lbs. (41 L)     | 46-1/2" (1,181 mm) | 2                | (311)            | 686  |
| IFSCB350-OP  | 50 lbs. (41 L)     | 62" (1575 mm)      | 3                | (426)            | 939  |
| IFS-CB450-OP | 50 lbs. (41 L)     | 77-1/2" (1969 mm)  | 4                | (541)            | 1192 |
| IFS-CB550-OP | 50 lbs. (41 L)     | 93" (2362 mm)      | 5                | (655)            | 1445 |
| IFSCB650-OP  | 50 lbs. (41 L)     | 108-1/2" (2756 mm) | 6                | (770)            | 1698 |
| IFSCB175-OP  | 75 lbs. (51 L)     | 39" (911 mm)       | 1                | (204)            | 450  |
| IFSCB275-OP  | 75 lbs. (51 L)     | 58-1/2" (1486 mm)  | 2                | (327)            | 720  |
| IFSCB375-OP  | 75 lbs. (51 L)     | 78" (1981 mm)      | 3                | (449)            | 990  |
| IFSCB475-OP  | 75 lbs. (51 L)     | 97-1/2" (2477 mm)  | 4                | (572)            | 1260 |
| IFSCB575-OP  | 75 lbs. (51 L)     | 117" (2972 mm)     | 5                | (694)            | 1530 |
| IFSCB675-OP  | 75 lbs. (51 L)     | 136-1/2" (3467 mm) | 6                | (816)            | 1800 |

Measurements in ( ) are metric equivalents.

| MODEL        | DIMENSIONS  | CRATED DIMENSIONS   |
|--------------|---|---|
| IFSCB150-OP  | 31" w x 36-1/2" d x 45-3/4" h<br>(787 x 927 x 1162 mm)        | 32-1/2" w x 39" d x 49-1/2" h<br>(826 x 991 x 1257 mm)    |
| IFSCB250-OP  | 46-1/2" w x 36-1/2" d x 45-3/4" h<br>(1181 x 927 x 1162 mm)   | 48" w x 39" d x 49-1/2" h<br>(1219 x 991 x 1257 mm)       |
| IFSCB350-OP  | 62" w x 36-1/2" d x 45-3/4" h<br>(1575 x 927 x 1162 mm)       | 63-1/2" w x 39" d x 49-1/2" h<br>(1613 x 991 x 1257 mm)   |
| IFS-CB450-OP | 77-1/2" w x 36-1/2" d x 45-3/4" h<br>(1969 x 927 x 1162 mm)   | 79" w x 39" d x 49-1/2" h<br>(2007 x 991 x 1257 mm)       |
| IFS-CB550-OP | 93" w x 36-1/2" d x 45-3/4" h<br>(2362 x 927 x 1162 mm)       | 94-1/2" w x 39" d x 49-1/2" h<br>(2400 x 991 x 1257 mm)   |
| IFSCB650-OP  | 108-1/2" w x 36-1/2" d x 45-3/4" h<br>(2756 x 927 x 1162 mm)  | 110" w x 39" d x 49-1/2" h<br>(2794 x 991 x 1257 mm)      |
| IFSCB175-OP  | 39" w x 40-1/2" d x 45-3/4" h<br>(911 x 1029 x 1162 mm)       | 40-1/2" w x 43" d x 49-1/2" h<br>(1029 x 1092 x 1257 mm)  |
| IFSCB275-OP  | 58-1/2" w x 40-1/2" d x 45-3/4" h<br>(1486 x 1029 x 1162 mm)  | 60" w x 43" d x 49-1/2" h<br>(1524 x 1092 x 1257 mm)      |
| IFSCB375-OP  | 78" w x 40-1/2" d x 45-3/4" h<br>(1981 x 1029 x 1162 mm)      | 79-1/2" w x 43" d x 49-1/2" h<br>(2019 x 1092 x 1257 mm)  |
| IFSCB475-OP  | 97-1/2" w x 40-1/2" d x 45-3/4" h<br>(2477 x 1029 x 1162 mm)  | 99" w x 43" d x 49-1/2" h<br>(2515 x 1092 x 1257 mm)      |
| IFSCB575-OP  | 117" w x 40-1/2" d x 45-3/4" h<br>(2972 x 1029 x 1162 mm)     | 118-1/2" w x 43" d x 49-1/2" h<br>(3010 x 1092 x 1257 mm) |
| IFSCB675-OP  | 136-1/2" w x 40-1/2" d x 45-3/4" h<br>(3467 x 1029 x 1162 mm) | 138" w x 43" d x 49-1/2" h<br>(3505 x 1092 x 1257 mm)     |

| FILTER ELECTRICAL REQUIREMENT |       |       |          |
|-------------------------------|-------|-------|----------|
| VOLTS                         | PHASE | HERTZ | AMPS     |
| 115 V                         | 1     | 60    | 6.8 amps |

6ft. (1829 mm) power cord with 3 prong plug provided

**CLEARANCE REQUIREMENTS**  
For use only on non-combustible floors. Legs or casters are required for non-combustible floors. Provide 0" clearance from non-combustible surfaces and 6" (152 mm) from combustible surfaces.

- OPTIONS AND ACCESSORIES**
- Automatic basket lifts with computerized controls
  - Manual controlled basket lifts
  - Gas shut-off valve, 3/4" N.P.T.
  - Stainless steel tank cover
  - Stainless steel side drain shelf
  - Stainless steel side splash
  - Manual timer
  - Filter paper 40# thickness, 20 microns, 100 sheets per box

