



GAS

GRIDDLES | TEPPAN YAKI

IMPERIAL



ITY-36

Model Numbers

ITY-24

ITY-36

ITY-48

ITY-60



4" (102) WIDE GREASE GUTTER AND 1 GAL. (3.8 L) GREASE CAN



THICK HIGHLY POLISHED STEEL GRIDDLE PLATE MAINTAINS SELECTED TEMPERATURE.



ONE ROUND BURNER CREATES A "HOT SPOT" IN THE CENTER OF THE GRIDDLE PLATE.

BURNER

- One 30,000 BTU (9 KW) round burner creates a "hot spot" in the center of the griddle plate.
- Temperature gradually decreases from center
- Each burner has an adjustable gas valve and continuous pilot for instant ignition.

GRIDDLE PLATE

- Full 24" (610 mm) plate depth for more cooking surface.
- 3/4" (19 mm) thick highly polished steel griddle plate
- Engineered with venting features, unit can be built into non-combustible cabinets or tables

GREASE MAINTENANCE

- Stainless steel grease gutter is 3-1/2" (89 mm) wide.
- Large capacity grease can removes easily.

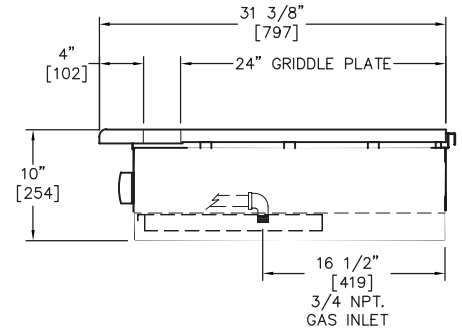
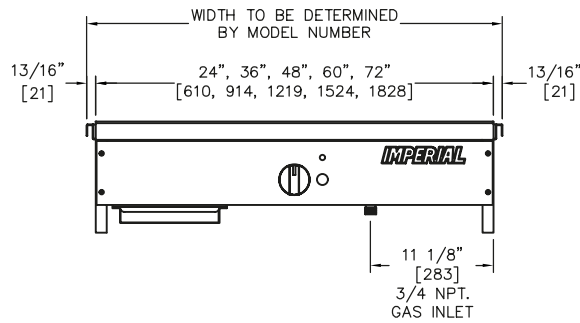
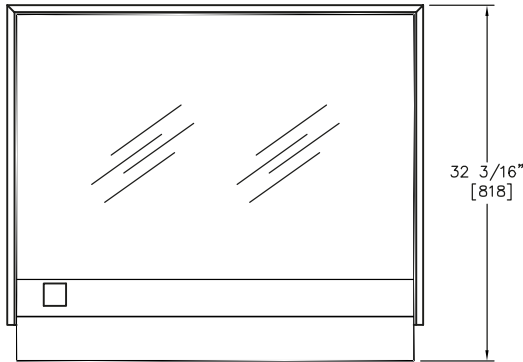
EXTERIOR

- Stainless steel front, sides, splash guard, and ledge.
- Welded and polished stainless steel seams.
- Control knobs are cast aluminum with a Valox™ heat protection grip.
- One year parts and labor warranty.



GAS

GRIDDLES | TEPPAN YAKI



TEPPAN YAKI GRIDDLES

MODEL	WIDTH IN (MM)	BURNERS	GAS OUTPUT BTU (KW)	SHIP WEIGHT (KG) LBS
ITY-24	24 (610)	1	30,000 (9)	(93) 205
ITY-36	36 (915)	1	30,000 (9)	(148) 325
ITY-48	48 (1219)	1	30,000 (9)	(204) 450
ITY-60	60 (1524)	1	30,000 (9)	(256) 565

MODEL	GRIDDLE PLATE DIMENSIONS	DIMENSIONS	CRATED DIMENSIONS
ITY-24	24" W X 24" D (610 X 610 MM)	24" W X 32" D X 10" H (610 X 813 X 254 MM)	27" W X 34" D X 13" H (686 X 864 X 330 MM)
ITY-36	36" W X 24" D (914 X 610 MM)	36" W X 32" D X 10" H (915 X 813 X 254 MM)	39" W X 34" D X 13" H (991 X 864 X 330 MM)
ITY-48	48" W X 24" D (1219 X 610 MM)	48" W X 32" D X 10" H (1219 X 813 X 254 MM)	51" W X 34" D X 13" H (1296 X 864 X 330 MM)
ITY-60	60" W X 24" D (1524 X 610 MM)	60" W X 32" D X 10" H (1524 X 813 X 254 MM)	63" W X 34" D X 13" H (1600 X 864 X 330 MM)

OPTIONS AND ACCESSORIES

- Stainless steel equipment stands
- 6" (152 mm) casters for equipment stands
- Chrome griddle top, (add "-CG" to model number)
- Extra burner, ITY-60 model
- Griddle plate splash guard
- 4" (102 mm) legs

CLEARANCE REQUIREMENTS

For use only on non-combustible surfaces. Provide 0" clearance from non-combustible surfaces and 6" (152 mm) from combustible surfaces.

MANIFOLD PRESSURE		
NATURAL GAS	PROPANE GAS	MANIFOLD SIZE
5.0" W.C.	10.0" W.C.	3/4" (19 MM)

