



**ELECTRIC 75 LB. FRYERS  
SPACE SAVER FILTER SYSTEMS**

# IMPERIAL®

**Model Number**

|           |            |
|-----------|------------|
| IFSSP275E | IFSSP275EU |
| IFSSP375E | IFSSP375EU |
| IFSSP475E | IFSSP475EU |
| IFSSP575E | IFSSP575EU |
| IFSSP675E | IFSSP675EU |

Add suffix "T" for Electronic Thermostat

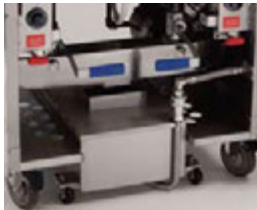
Add suffix "C" for Computer Controls

Suffix "E" denotes Immersed Elements

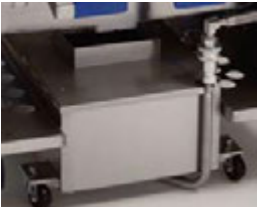
Suffix "EU" denotes Tilt-up Elements



IFSSP275EU



Filter is located under fryers to save valuable space.



Filter pan is designed for maximum oil return.



5.5 GPM, 1/3 HP roller pump speeds up filtering process.

**FILTER PACKAGE CHOICES** - Up to six fryers can be battered into one fryer / filter system.

- Available for 50 and 75 lb. (27 and 41 Liters) oil capacity fryers.
- Available with Snap Action Thermostats, Electronic Thermostats or Computer Controls

**LOCATED UNDER FRYERS** - Filter location under fryers saves valuable space.

- Internally plumbed oil drain and return line.

**UNIQUE FILTER PAN DESIGN** - Filter pan is designed for maximum oil return.

- Stainless steel construction is easy to clean and has a professional look.
- Positive-latching filter paper holder holds paper in place for optimal filtration.
- Quick disconnect connection offers quick and safe connection of the filtered oil back into the frypots.
- All oil drain and return lines are internally plumbed for convenience and safety.

**ROLLER-PUMP** - Up to six fryers can be battered into one fryer / filter system.

- 5.5 GPM pump with a 1/3 HP motor speeds up filtering process.
- Can pump oil into a disposal vat up to 20 feet away.

**EXTERIOR FEATURES** - Continuous cabinet provides a professional look.

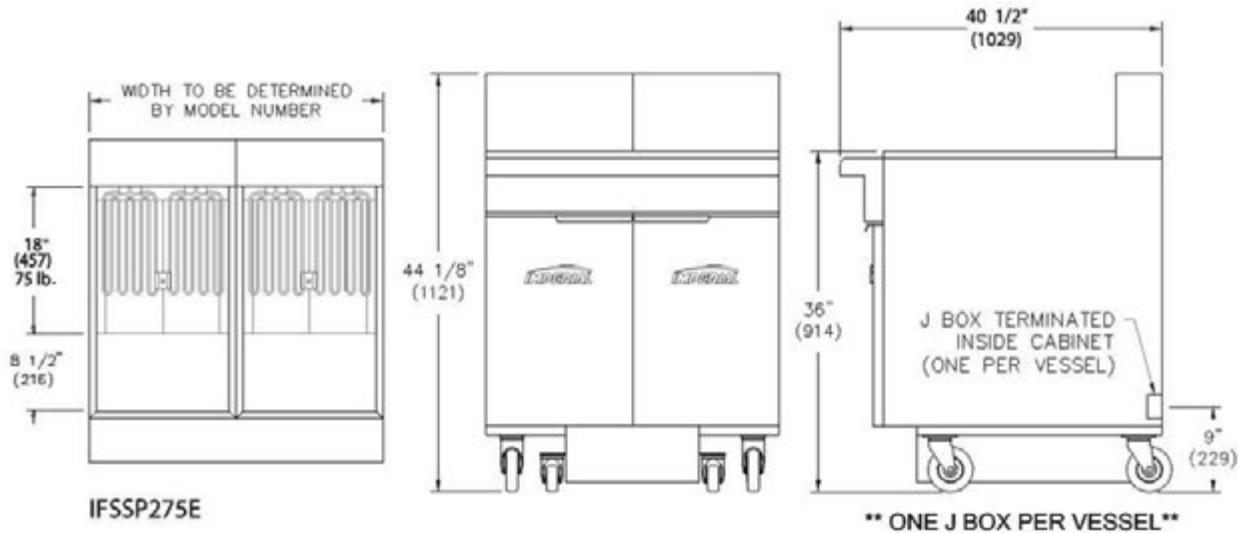
- 5" (127 mm) deep continuous stainless steel front landing ledge.
- Stainless steel precision welded frypot.
- Includes casters, joiner strips and filter starter kit.





# ELECTRIC 75 LB. FRYERS SPACE SAVER FILTER SYSTEMS

# IMPERIAL®



| MODEL      | FRYER OIL CAPACITY | FRYER DEPTH  | NUMBER OF FRYERS | SHIP WEIGHT (KG) | SHIP WEIGHT (LBS) |
|------------|--------------------|--------------|------------------|------------------|-------------------|
| IFSSP275E  | 75 lbs. (51 L)     | 34" (864 mm) | 2                | (268)            | 590               |
| IFSSP275EU |                    |              |                  |                  |                   |
| IFSSP375E  | 75 lbs. (51 L)     | 34" (864 mm) | 3                | (390)            | 860               |
| IFSSP375EU |                    |              |                  |                  |                   |
| IFSSP475E  | 75 lbs. (51 L)     | 34" (864 mm) | 4                | (513)            | 1130              |
| IFSSP475EU |                    |              |                  |                  |                   |
| IFSSP575E  | 75 lbs. (51 L)     | 34" (864 mm) | 5                | (635)            | 1400              |
| IFSSP575EU |                    |              |                  |                  |                   |
| IFSSP675E  | 75 lbs. (51 L)     | 34" (864 mm) | 6                | (758)            | 1670              |
| IFSSP675EU |                    |              |                  |                  |                   |

Measurements in ( ) are metric equivalents.

| MODEL      | DIMENSIONS   | CRATED DIMENSIONS   |
|------------|--|---|
| IFSSP275E  | 39" w x 40-1/2" d x 44-1/8" h<br>(911 x 1029 x 1121 mm)      | 40-1/2 w x 43" d x 49-1/2" h<br>(1029 x 1092 x 1257 mm)   |
| IFSSP275EU |  |   |
| IFSSP375E  | 58-1/2" w x 40-1/2" d x 44-1/8" h<br>(1486 x 1029 x 1121 mm) | 60" w x 43" d x 49-1/2" h<br>(1524 x 1092 x 1257 mm)      |
| IFSSP375EU |  |   |
| IFSSP475E  | 78" w x 40-1/2" d x 44-1/8" h<br>(1981 x 1029 x 1121 mm)     | 79-1/2" w x 43" d x 49-1/2" h<br>(2019 x 1092 x 1257 mm)  |
| IFSSP475EU |  |   |
| IFSSP575E  | 97-1/2" w x 40-1/2" d x 44-1/8" h<br>(2477 x 1029 x 1121 mm) | 99" w x 43" d x 49-1/2" h<br>(2515 x 1092 x 1257 mm)      |
| IFSSP575EU |  |   |
| IFSSP675E  | 117" w x 40-1/2" d x 44-1/8" h<br>(2972 x 1029 x 1121 mm)    | 118-1/2" w x 43" d x 49-1/2" h<br>(3010 x 1092 x 1257 mm) |
| IFSSP675EU |  |   |

| FILTER ELECTRICAL REQUIREMENT |       |       |          |
|-------------------------------|-------|-------|----------|
| VOLTS                         | PHASE | HERTZ | AMPS     |
| 115 V                         | 1     | 60    | 6.8 amps |

6ft. (1829 mm) power cord with 3 prong plug provided

| ELECTRICAL REQUIREMENT PER FRYER |       |       |       |       |
|----------------------------------|-------|-------|-------|-------|
| MODEL                            | VOLTS | PHASE | HERTZ | AMPS  |
| 75 lbs.                          | 208   | 3     | 60    | 50.02 |
| 75 lbs.                          | 240   | 3     | 60    | 43.35 |
| 75 lbs.                          | 480*  | 3     | 60    | 21.68 |

\* for export only

**CLEARANCE REQUIREMENTS**  
For use only on non-combustible floors. Legs or casters are required for non-combustible floors. Provide 0" clearance from non-combustible surfaces and 6" (152 mm) from combustible surfaces.

- OPTIONS AND ACCESSORIES**
- Automatic basket lifts with computerized controls
  - Manual controlled basket lifts
  - Stainless steel tank cover
  - Stainless steel side drain shelf
  - Stainless steel side splash
  - Manual timer
  - Filter paper, 40# thickness, 20 microns  
100 sheets per box



E-19

2/14

© 2014 Imperial Commercial Cooking Equipment

Printed in the U.S.A.

1128 Sherborn Street Corona, CA 92879  
800.343.7790 Ph: 951.281.1830 Fx: 951.281.1879  
www.imperialrange.com  
E-mail: imperialsales@imperialrange.com