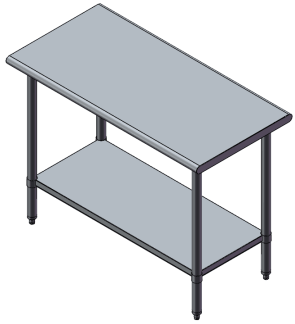


Assembly Instructions

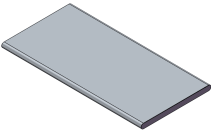
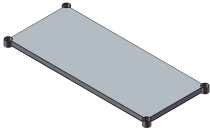



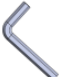
Stainless steel Work table



Safety Tips

- While all care has been taken to remove sharp edges, care must be taken when cleaning or handling to prevent risk of injury from exposed metal edges.
- Do not overload the table top or shelf causing it to bend.

Parts List

| | | |
|---|---|---|
|  |  |  |
| Table Top | Under shelf | Legs |
| 1 | 1 | 4 |
|  |  |  |
| Screws | Screw covers | Allen Key |
| 12 | 12 | 1 |

Note: 96" length work tables come with 6 legs

Note: Be sure to check all packaging materials for any small parts that may have come loose during transportation

Assembly

1. Remove all protective film, taking care to avoid scratching the surface.
2. Place the under shelf on it's side on the floor.
3. Insert the leg into the socket situated at each corner of the under shelf [Fig.1]
4. Use grub screws to loosely fix the under shelf to the legs at approximately 8" from floor, then stand upright [Fig.2]
5. Position the table top onto the legs ,ensuring each leg is firmly located in its corresponding corner socket [Fig.3]
6. Fix the table top using grub screws. Ensure the table top is both level and securely fixed
7. Tightly fix all screws which you fixed them loosely at first
8. Insert the screw covers into each end of screws to avoid dust accumulation
9. Before using for the first time we recommend the table is cleaned thoroughly with a suitable cleaning agent. Remove all cleaning residue and dry thoroughly.

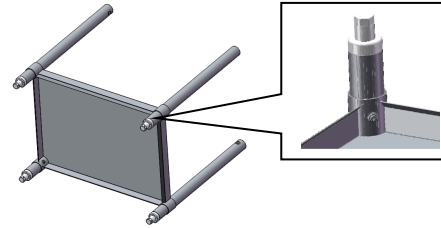


Fig.1

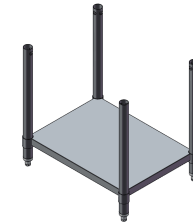


Fig.2

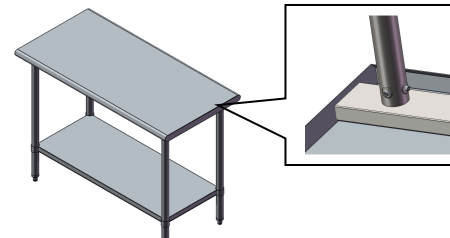


Fig.3

Cleaning

- Clean the table regularly using a cleaning agent suitable for use with stainless steel and galvanized surfaces.
- Always remove cleaning agent residue, this can discolor the surface.
- Never leave any surface damp as this may cause discoloration.