

# Duke Specifications

F.O.B. Sedalia, Missouri 65301



**"Your Solutions Partner"**



**E304**

## OPTIONS:

- Sealed wells, w/drains - **SW**
- 3 phase wiring
- 1000 watt elements
- Stainless steel heat compartment liner - **FMOD-SS-LINER**
- Stainless steel cutting board in lieu of poly
- Drop type brackets for cutting board
- Casters - **EPxxx-CASTERS**
- Stainless steel feet - **SS-FEET**
- Serving shelves - **656-xS/656-460-xS/956-460-x/956-x**
- Glass display shelves - **98x**
- Shelves/Carving Boards - **441-xS/442-xS/445-xS**
- Buffet shelves - **63x/73xFL/73xBL/73xHT/83x/93xFL/93xBL/93xHT**
- Adjustable height canopies - **143x/153x-FL/ 153X-BL**
- Adapter Plates- **31, 32, 33**
- Telescope Covers - **546, 548**
- Tubular tray slides - **3BTS-FX-x/HD-x**
- Soup Tureens - **559**
- Spillage Pans - **576. 676**

## AGENCY LISTINGS:



**DUKE MANUFACTURING CO.**  
**P. O. Box 5426**  
**St. Louis, MO 63147-0230**

**800.735.3853 Toll Free**  
**314.231.1130 In Missouri**  
**314.231.5074 Fax**  
**www.dukemfg.com**

## PROJECT INFORMATION:

PROJECT: \_\_\_\_\_  
 ITEM: \_\_\_\_\_  
 QUANTITY: \_\_\_\_\_

## MODEL:

**Aerohot Foodservice**  
**Hot Food - Electric**

- E302** Two compartment openings
- E303** Three compartment openings
- E304** Four compartment openings
- E305** Five compartment openings

## TOP:

- 20 gauge, 300 Series stainless steel
- Die-stamped openings - 12-1/16" x 20-1/16"
- Poly carving board - 7"W x 1/2" thick with 18 gauge stainless steel support base and die-stamped brackets

## HEAT COMPARTMENTS:

- Each with die-formed 8" deep galvanized liner
- Insulated with 1" thick fiberglass or equal, all four sides and bottom
- Single phase standard

## BODY, UNDERSHELF AND LEGS:

- 20 gauge, 430 Series stainless steel body
- 18 gauge, 430 Series stainless steel undershelf
- 430 Series stainless steel tubular legs with adjustable plastic feet

## ELECTRICAL INFORMATION:

- 500 or 750 watt dome-type element each compartment
- Wired to operate on 120, 208 or 240 volt
- Single or three phase
- AC current
- Each section with infinite switch
- Permanently wired, 6' long cord with plug provided

## SHORT FORM SPECIFICATIONS:

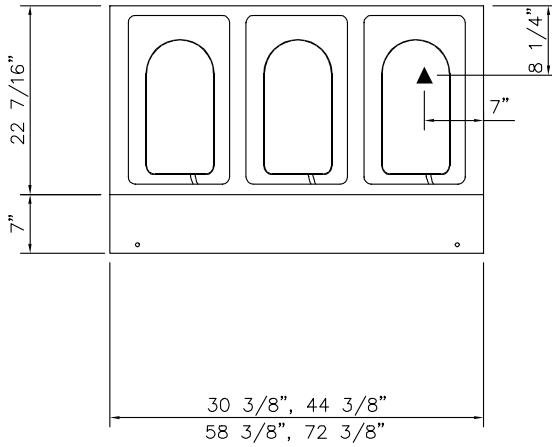
Duke Aerohot Foodservice - Hot Food - Electric. Top shall be 20 gauge, 300 Series stainless steel, with body, undershelf and legs formed of heavy gauge 430 Series stainless steel. Top to have die-stamped openings measuring 12-1/16" x 20-1/16", with 8" deep galvanized liner. Each compartment to be insulated on all four sides and bottom with 1" thick fiberglass or equal, having thermal conductivity of 0.27 or less, with single phase standard. Each compartment to have 500 or 750 watt dome-type element fitted inside, above warming compartment. Available with sealed wells, with drains - no spillage pans necessary. Wired to operate on 120, 208 or 240 volt, single or 3 phase. AC current, as ordered. Each section to be controlled by infinite switch. Permanently wired, 6' long cord with plug provided. Units to be furnished with polycarbonate carving board measuring 7" x 1/2" thick with 18 gauge stainless steel support base and die-stamped brackets. Portable units to have NSF listed casters, 5" diameter, rubber, swivel-type, two with locks, all non-marking tires, with 9"L pusher bar attached to end panel on operator's right.

"P" - prefix on model number denotes portable unit.

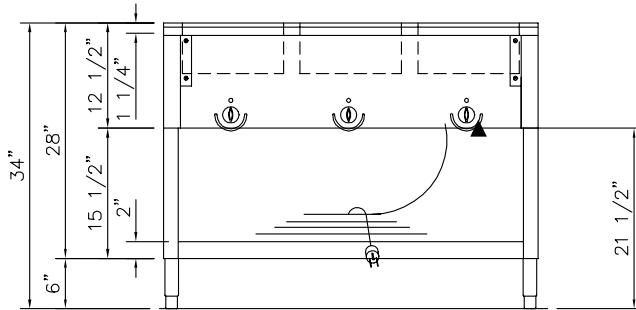
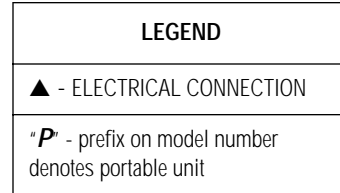
# Aerohot

## AEROHOT FOODSERVICE HOT FOOD - ELECTRIC

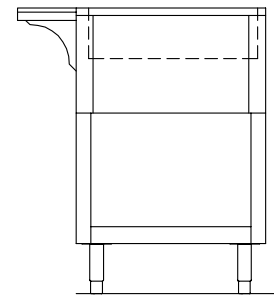
- E302** Two compartment openings
- E303** Three compartment openings
- E304** Four compartment openings
- E305** Five compartment openings



TOP VIEW



FRONT VIEW



SIDE VIEW

DIMENSIONS:

Freight Class: 85

Model	Length		Width		Height		Cube ft. crated	Weight	
	in.	cm	in.	cm	in.	cm		lbs.	kg
E302/EP302	30-3/8	77.2	22-7/16	57.1	34	86.4	16.6	81/90	36.8/40.9
E303/EP303	44-3/8	112.8	22-7/16	57.1	34	86.4	23.7	107/114	48.6/51.8
E304/EP304	58-3/8	148.3	22-7/16	57.1	34	86.4	30.9	138/144	62.7/65.5
E305/EP305	72-3/8	183.9	22-7/16	57.1	34	86.4	38.0	165/172	75.0/78.2

ELECTRICAL SPECIFICATIONS: (Consult factory for 3-phase electrical requirements and other options.)

**120 Volt/500 Watt**  
**E302/EP302** 1000 Watts/8.3 Amps/5-15 NEMA  
**E303/EP303** 1500 Watts/12.5 Amps/5-15 NEMA  
**E304/EP304** 2000 Watts/16.7 Amps/L5-30 NEMA  
**E305/EP305** 2500 Watts/20.8 Amps/L5-30 NEMA

**208 Volt/750 Watt**  
 1500 Watts/7.2 Amps/6-20 NEMA  
 2250 Watts/10.8 Amps/6-20 NEMA  
 3000 Watts/14.4 Amps/6-20 NEMA  
 3750 Watts/18.0 Amps/L6-30 NEMA

**240 Volt/750 Watt**  
 1500 Watts/6.3 Amps/6-20 NEMA  
 2250 Watts/9.4 Amps/6-20 NEMA  
 3000 Watts/12.5 Amps/6-20 NEMA  
 3750 Watts/15.6 Amps/6-20 NEMA



"Your Solutions Partner"

DUKE MANUFACTURING CO.  
 P. O. Box 5426  
 St. Louis, MO 63147-0230

800.735.3853 Toll Free  
 314.231.1130 In Missouri  
 314.231.5074 Fax  
 www.dukemfg.com