



**SERVICE PARTS MANUAL**  
**CIM SERIES**  
**CIM0835, CIM0836, CIM1135 CIM1136 and CIM1137**





This parts list contains the service parts available for the following CIM Series.

**CIM0836** 208-230/60/1  
**CIM0836G** 208-230/60/1

**CIM0835** 220-240/50/1

**CIM1136** 208-230/60/1  
**CIM1137** 208-230/60/3

**CIM1135** 220-240/50/1

**Model Number Example**

**CIM0836HA**

**CIM** = **C**uber **I**ce **M**achine

**08** = 800 lb, in 24 hours capacity

**3** = 30 inch wide cabinet

**0** = 115 Volt, **5** = 220-240/50/1 **6** = 208-230/60/1 Volt

**H** = Half Cube Size, **F** = Full Cube Size **G**=Grande Cube Size

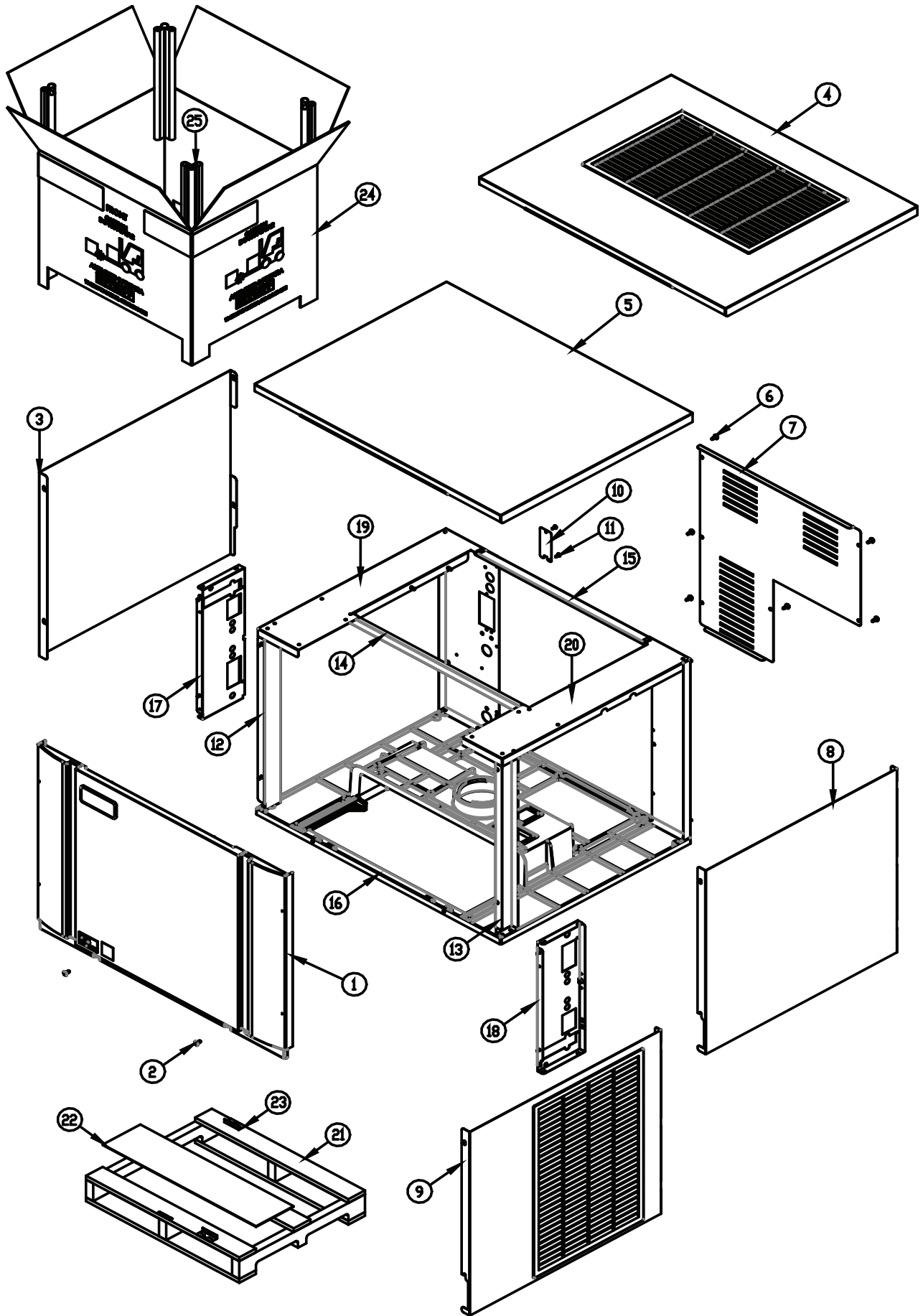
**A** = Air Cooled Condenser, **W** = Water Cooled Condenser **R**=Remote Condenser

**Check the model number on the data plate and refer to the correct listing for the specific component.**

Check carefully that the correct part is identified and ordered.

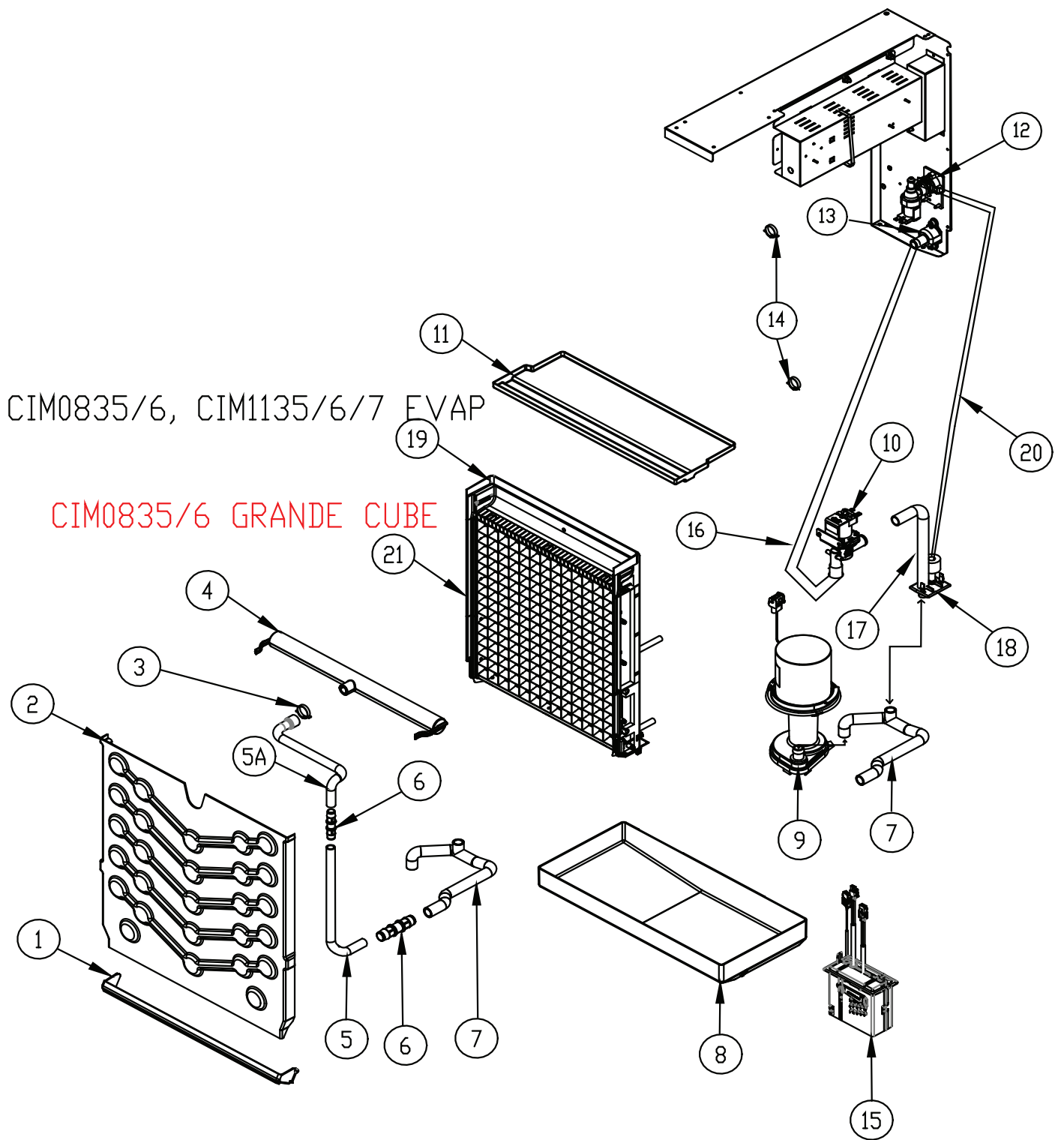
<b>Table of Contents</b>	<b>Page 1</b>
<b>Cabinet</b>	<b>Page 2-3</b>
<b>Water System</b>	<b>Page 4-5</b>
<b>Air Cooled Condenser</b>	<b>Page 6-7</b>
<b>Water Cooled Condenser</b>	<b>Page 8-9</b>
<b>Remote Condenser</b>	<b>Page 10-11</b>
<b>Electrical</b>	<b>Page 12-13</b>

Ice-O-Matic  
 11100 East 45th Ave.  
 Denver Co. 80239  
 800-423-3367



Item No.	Model Number			Description
	CIM0836		CIM1136	
1	2031544-01S		2031544-01S	2031544-01S Front Panel
2	9031237-01P		9031237-01P	9031237-01P Front Panel Screws
3	3022007-05		3022007-05	3022007-05 Left Side Side Panel
4	2101496-02S		2101496-02S	2101496-02S Top Panel-Air Cooled
5	3022012-03		3022012-03	3022012-03 Top Panel-Remote and Water Cooled
6	9031046-01P		9031046-01P	9031046-01P Rear Cover Screws
7	3013634-01		3013634-01	3013634-01 Rear Cover
8	3022007-06		3022007-06	3022007-06 Right Side Panel-Remote and Water Cooled
9	3022007-04		3022007-04	3022007-04 Right Side Panel-Air Cooled
10	3013674-01		3013674-01	3013674-01 Junction Box Cover
11	9031046-01P		9031046-01P	9031046-01P Junction Box Screw
12	2021801-01		2021801-01	2021801-01 Left Front Corner Post
13	2021801-02		2021801-02	2021801-02 Right Front Corner post
14	3013637-02		3013637-02	3013637-02 Brace 30 Inch
15	3013636-01		3013636-01	3013636-01 Rear Brace
16	9051725-02		9051725-02	9051725-02 Base
17	2021800-01		2021800-01	2021800-01 Front Left Brace
18	2021800-02		2021800-02	2021800-02 Front Right Brace
19	2021798-01		2021798-01	2021798-01 Right Side Framework 30"Assembly
20	2021799-01		2021799-01	2021799-01 Left Side Framework 30"Assembly
21	9011369-02		9011369-02	9011369-02 Elevation Skid 30 Inch
22	9011378-01		9011378-01	9011378-01 Carton Liner 30 Inch
23	9051765-01		9051765-01	9051765-01 Shipping Bracket 2 Req. (Field Installed)
24	9011374-05		9011374-05	9011374-05 Carton, Elevation 30 Inch
25	9011320-06		9011320-06	9011320-06 Corner Post (Each), Elevation, (4 Required)
	9031026-04P		9031026-04P	9031026-04P Pop Rivets Not Shown ( Package of 10)

	CIM0835		CIM1135		Description
1	2031544-01S		2031544-01S		Front Panel
2	9031237-01P		9031237-01P		Front Panel Screws
3	3022007-05		3022007-05		Left Side Side Panel
4	2101496-02S		2101496-02S		Top Panel-Air Cooled
5	3022012-03		3022012-03		Top Panel-Remote and Water Cooled
6	9031046-01P		9031046-01P		Rear Cover Screws
7	3013634-01		3013634-01		Rear Cover
8	3022007-06		3022007-06		Right Side Panel-Remote and Water Cooled
9	3022007-04		3022007-04		Right Side Panel-Air Cooled
10	3013674-01		3013674-01		Junction Box Cover
11	9031046-01P		9031046-01P		Junction Box Screw
12	2021801-01		2021801-01		Left Front Corner Post
13	2021801-02		2021801-02		Right Front Corner post
14	3013637-02		3013637-02		Brace 30 Inch
15	3013636-01		3013636-01		Rear Brace
16	9051725-02		9051725-02		Base
17	2021800-01		2021800-01		Front Left Brace
18	2021800-02		2021800-02		Front Right Brace
19	2021798-01		2021798-01		Right Side Framework 30"Assembly
20	2021799-01		2021799-01		Left Side Framework 30"Assembly
21	9011369-02		9011369-02		Elevation Skid 30 Inch
22	9011378-01		9011378-01		Carton Liner 30 Inch
23	9051765-01		9051765-01		Shipping Bracket 2 Req. (Field Installed)
24	9011374-05		9011374-05		Carton, Elevation 30 Inch
25	9011320-06		9011320-06		Corner Post (Each), Elevation, (4 Required)
	9031026-04P		9031026-04P		Pop Rivets Not Shown ( Package of 10)



The Model Number of the machine has a designator for the Cube Size

Example: **CIM0836FA** **F = Full Cube**

**CIM0836HA** **H = Half Cube**

**CIM0836GA** **G = GRANDE Cube**

Note: **G=Grande Cube in the Machine Model Number 60 hz.**

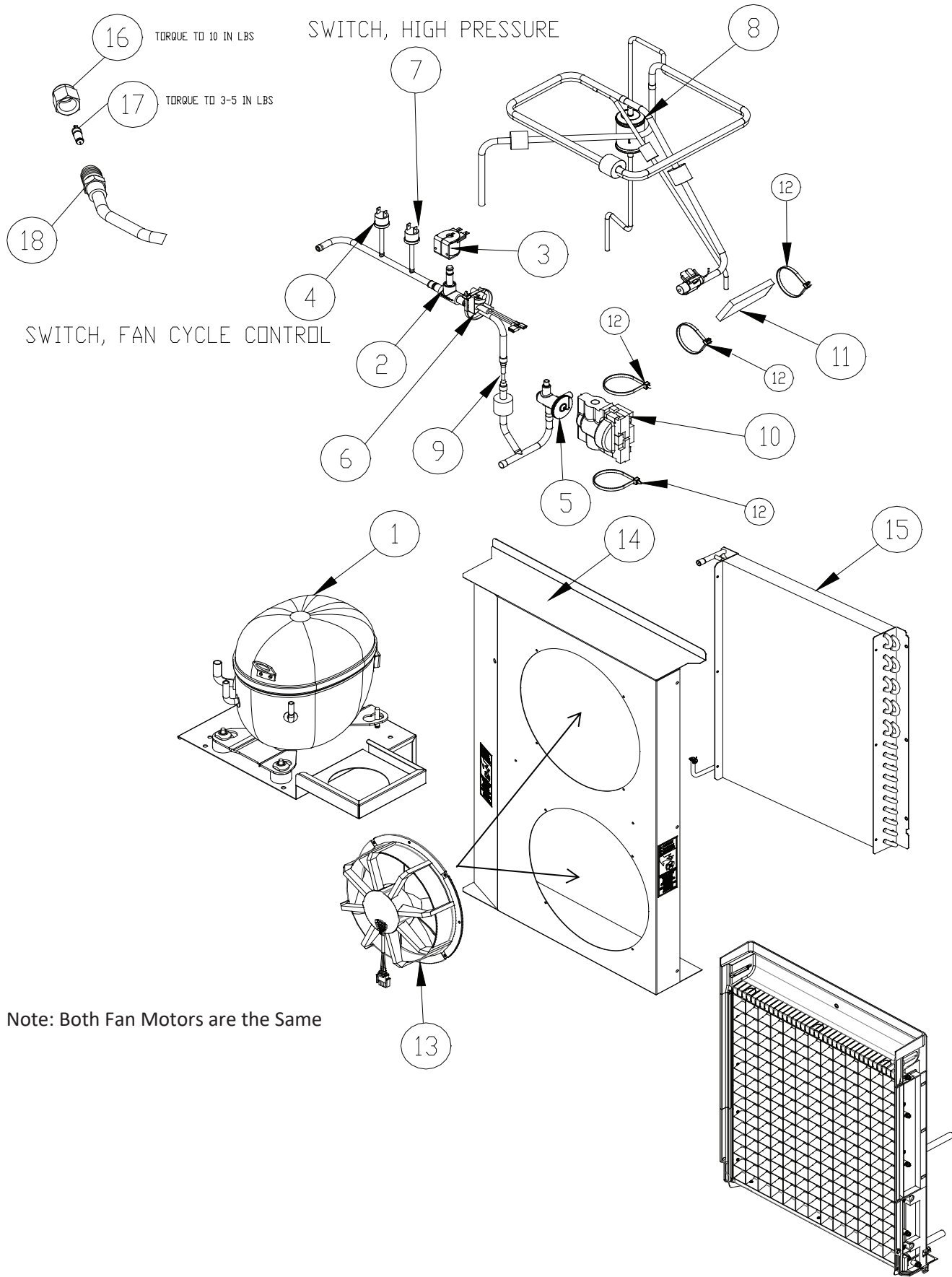
Item No.	Model Number				Description	
	CIM0836	CIM0836G		CIM1136		CIM1137
1	9051736-01	9051736-01		9051736-01	9051736-01	Lower Curtain Assembly
2	9051760-01	9051760-01		9051760-01	9051760-01	Evaporator Cover
3	9021010-05	9021010-05		9021010-05	9021010-05	Hose Clamp, Plastic
4	9051766-01	9051766-01		9051766-01	9051766-01	Water Distribution Tube Assembly
5	9051749-05	9051749-05		9051749-05	9051749-05	Water Tube, Side
5A	9051700-01	9051700-01		9051700-01	9051700-01	Water Tube Upper
6	9091177-01	9091177-01		9091177-01	9091177-01	Coupler, Straight, 5/8 I.D. Tubing
7	9051748-01	9051748-01		9051748-01	9051748-01	Water Tube, Sump
8	9051737-01	9051737-01		9051737-01	9051737-01	Sump/Water Trough
9	2062336-03S	2062336-03S		2062336-03S	2062336-03S	Water Pump
10	9041105-05	9041105-05		9041105-05	9041105-05	Purge Valve
11	9051738-01	9051738-01		9051738-01	9051738-01	Top Cover
12	9041108-02	9041108-02		9041108-02	9041108-02	Water Inlet Valve
13	9091140-01	9091140-01		9091140-01	9091140-01	Drain Fitting
14	9021010-04	9021010-04		9021010-04	9021010-04	Hose Clamp, Plastic
15	1051224-01	1051224-01		1051224-01	1051224-01	Float Switch Assembly (Includes Instructions)
16	3051269-30S	3051269-30S		3051269-30S	3051269-30S	Purge Valve Tubing to Drain
17	9051541-01	9051541-01		9051541-01	9051541-01	Purge Valve Tube to Inlet Outlet Bracket
18	9051739-01	9051739-01		9051739-01	9051739-01	Inlet Outlet Bracket
19	1051223-05			1051223-05	1051223-05	Evaporator-FULL Cube = 7/8 x 7/8 x 7/8
19	1051223-06			1051223-06	1051223-06	Evaporator-HALF Cube = 3/8 x 7/8 x 7/8
20	9051270-36	9051270-36		9051270-36	9051270-36	Water Inlet Valve to Inlet Outlet Bracket Tube
21		1051223-07				Evaporator-Grande Cube = 1 1/4 x 1 1/8 x 7/8
	208-230/60/1	208-230/60/1		208-230/60/1	208-230/60/3	← Machine Voltage

The Model Number of the machine has a designator for the Cube Size

Example: CIM0838FA      F = Full Cube      Cube Size = 7/8 x 7/8 x 7/8  
 CIM0836GA      G = Grande Cube      Cube Size = 1 1/4 x 1 1/8 x 7/8  
 CIM0836HA      H = Half Cube      Cube Size = 3/8 x 7/8 x 7/8

Item No.	Model Number 220-240/50/1				Description
	CIM0835	CIM0835G		CIM1135	
1	9051736-01	9051736-01		9051736-01	Lower Curtain Assembly
2	9051760-01	9051760-01		9051760-01	Evaporator Cover
3	9021010-05	9021010-05		9021010-05	Hose Clamp, Plastic
4	9051766-01	9051766-01		9051766-01	Water Distribution Tube Assembly
5	9051749-05	9051749-05		9051749-05	Water Tube, Side
5A	9051749-03	9051749-03		9051749-03	Water Tube Upper
6	9091177-01	9091177-01		9091177-01	Coupler, Straight, 5/8 I.D. Tubing
7	9051748-01	9051748-01		9051748-01	Water Tube, Sump
8	9051737-01	9051737-01		9051737-01	Sump/Water Trough
9	2062336-03S	2062336-03S		2062336-03S	Water Pump
10	9041105-05	9041105-05		9041105-05	Purge Valve
11	9051738-01	9051738-01		9051738-01	Top Cover
12	9041108-02	9041108-02		9041108-02	Water Inlet Valve
13	9091140-01	9091140-01		9091140-01	Drain Fitting
14	9021010-04	9021010-04		9021010-04	Hose Clamp, Plastic
15	1051224-01	1051224-01		1051224-01	Float Switch Assembly (Includes Instructions)
16	3051269-30S	3051269-30S		3051269-30S	Purge Valve Tubing to Drain
17	9051541-01	9051541-01		9051541-01	Purge Valve Tube to Inlet Outlet Bracket
18	9051739-01	9051739-01		9051739-01	Inlet Outlet Bracket
19	1051223-05			1051223-05	Evaporator-FULL Cube = 7/8 x 7/8 x 7/8
19	1051223-06			1051223-06	Evaporator-HALF Cube = 3/8 x 7/8 x 7/8
20	9051270-36	9051270-36		9051270-36	Water Inlet Valve to Inlet Outlet Bracket Tube
21		1051223-07			Evaporator-Grande Cube = 1 1/4 x 1 1/8 x 7/8





Note: Both Fan Motors are the Same

REFERENCE PAGE 4 AND 5 FOR EVAPORATOR



**CIM Service Parts**

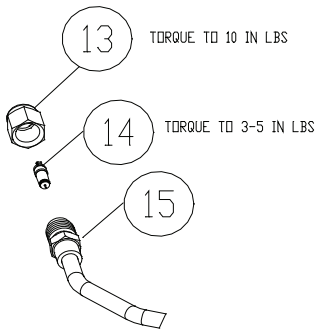
**Air Cooled**

**Note: G=Grande Cube in the Machine Model Number 60 hz.**

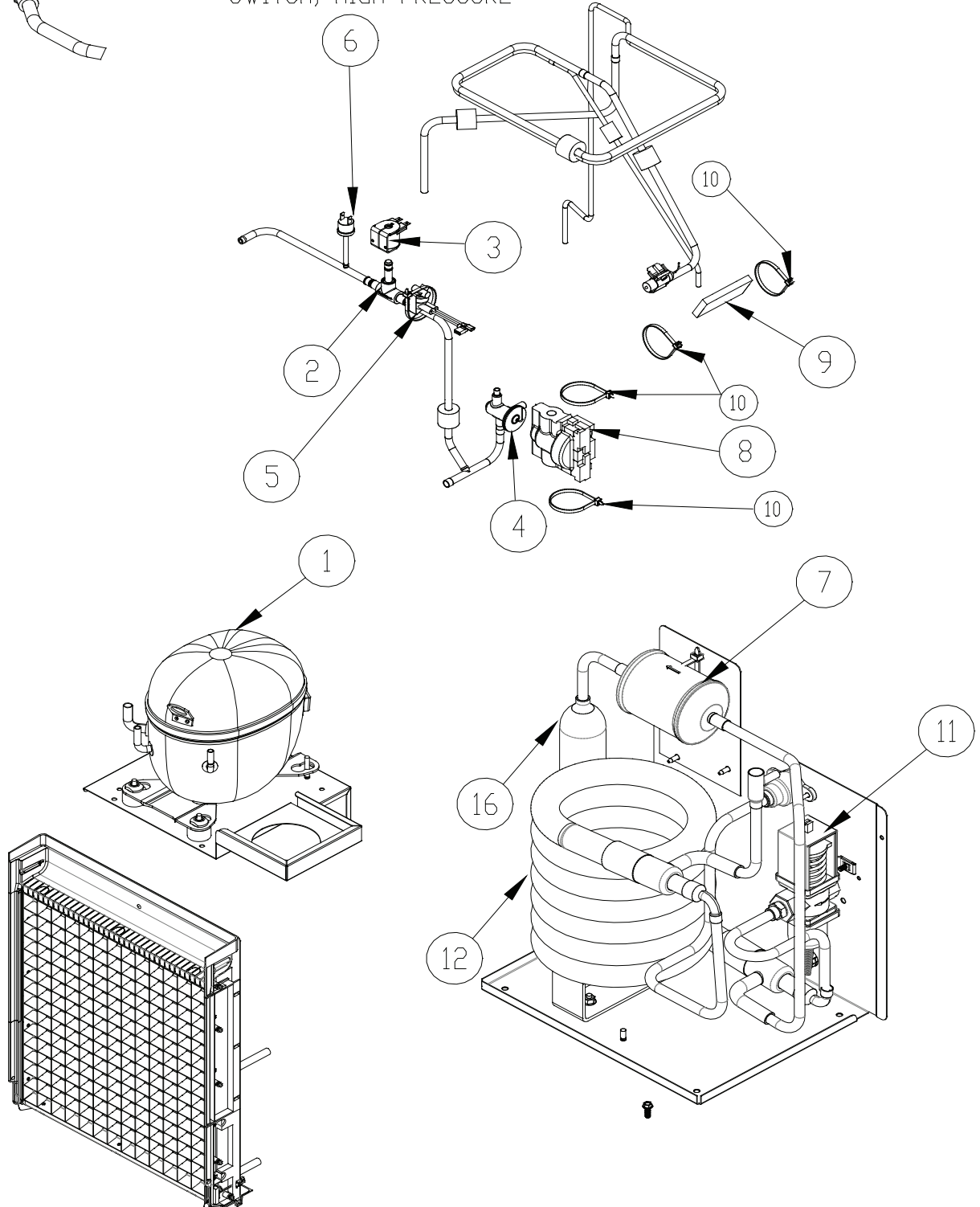
Item No.	Model Number				Description
	CIM0836A	CIM0836GA	CIM1136A	CIM1137A	
1	9181177-11	9181180-11	9181180-11	9181181-11	Compressor Kit
2	9151192-01	9151198-01	9151192-02	9151192-02	Hot Gas Valve Body
3	9151193-02	9151193-02	9151193-02	9151193-02	Hot Gas Valve Coil (240 V)
4	9041106-01	9041106-01	9041106-01	9041106-01	Switch, Fan Cycle
5	9151165-101	9151165-101	9151165-101	9151165-101	TXV
6	9041098-02	9041098-02	9041098-02	9041098-02	High Temp Switch
7	9041111-01	9041111-01	9041111-01	9041111-01	Switch, High Pressure
8	9151163-03	9151163-03	9151163-03	9151163-03	Drier (Included in Compressor Kit)
9	Not Used	Not Used	Not Used	Not Used	Restrictor
10	9131544-01	9131544-01	9131544-01	9131544-01	Insulation, TXV
11	9131143-07	9131143-07	9131143-07	9131143-07	Insulation, Bulb
12	9021021-01	9021021-01	9021021-01	9021021-01	Cable Tie-For TXV and Bulb Insulation
13	9161135-02	9161135-02	9161135-02	9161135-02	Fan Motor Assembly (Both Motors the Same)
14	3013697-02	3013697-02	3013697-02	3013697-02	Fan Shroud
15	9141153-01	9141153-01	9141153-01	9141153-01	Condenser
16	9091086-03	9091086-03	9091086-03	9091086-03	Service Valve Cap
17	9091086-02	9091086-02	9091086-02	9091086-02	Service Valve Core
18	9091086-01	9091086-01	9091086-01	9091086-01	Service Valve Stem
	208-230/60/1	208-230/60/1	208-230/60/1	208-230/60/3	← Machine Voltage
	CIM0836A	CIM0836GA	CIM1136A	CIM1137A	Starting Components (Included in Comp Kit)
	9181177-11	9181180-11	9181180-11	9181181-11	Compressor Kit
	9181003-44	9181003-44	9181003-44	N/A	Start Capacitor
	9181009-16	9181009-16	9181009-16	N/A	Run Capacitor
	9181010-37	9181010-33	9181010-33	N/A	Compressor Relay
	Internal	Internal	Internal	N/A	Overload

**Note: G=Grande Cube in the Machine Model Number 50 hz.**

Item No.	Model Number 220-240/50/1				Description
	CIM0835A	CIM0835GA	CIM1135A		
1	9181176-11	9181182-11	9181182-11		Compressor Kit
2	9151192-01	9151198-01	9151192-02		Hot Gas Valve Body
3	9151193-02	9151193-02	9151193-02		Hot Gas Valve Coil (240 V)
4	9041106-01	9041106-01	9041106-01		Switch, Fan Cycle
5	9151165-101	9151165-101	9151165-101		TXV
6	9041098-02	9041098-02	9041098-02		High Temp Switch
7	9041111-01	9041111-01	9041111-01		Switch, High Pressure
8	9151163-03	9151163-03	9151163-03		Drier (Included in Compressor Kit)
9	Not Used	Not Used	Not Used		Restrictor
10	9131544-01	9131544-01	9131544-01		Insulation, TXV
11	9131143-07	9131143-07	9131143-07		Insulation, Bulb
12	9021021-01	9021021-01	9021021-01		Cable Tie-For TXV and Bulb Insulation
13	9161135-02	9161135-02	9161135-02		Fan Motor Assembly (Both Motors the Same)
14	3013697-02	3013697-02	3013697-02		Fan Shroud
15	9141153-01	9141153-01	9141153-01		Condenser
16	9091086-03	9091086-03	9091086-03		Service Valve Cap
17	9091086-02	9091086-02	9091086-02		Service Valve Core
18	9091086-01	9091086-01	9091086-01		Service Valve Stem
	CIM0835A	CIM0835GA	CIM1135A		← Machine Voltage
	CIM0835A	CIM0835GA	CIM1135A		Starting Components (Included in Comp Kit)
	9181176-11	9181182-11	9181182-11		Compressor Kit
	9181003-53	9181003-56	9181003-56		Start Capacitor
	9181009-16	9181009-27	9181009-27		Run Capacitor
	9181010-36	9181010-35	9181010-35		Compressor Relay
	Internal	Internal	Internal		Overload



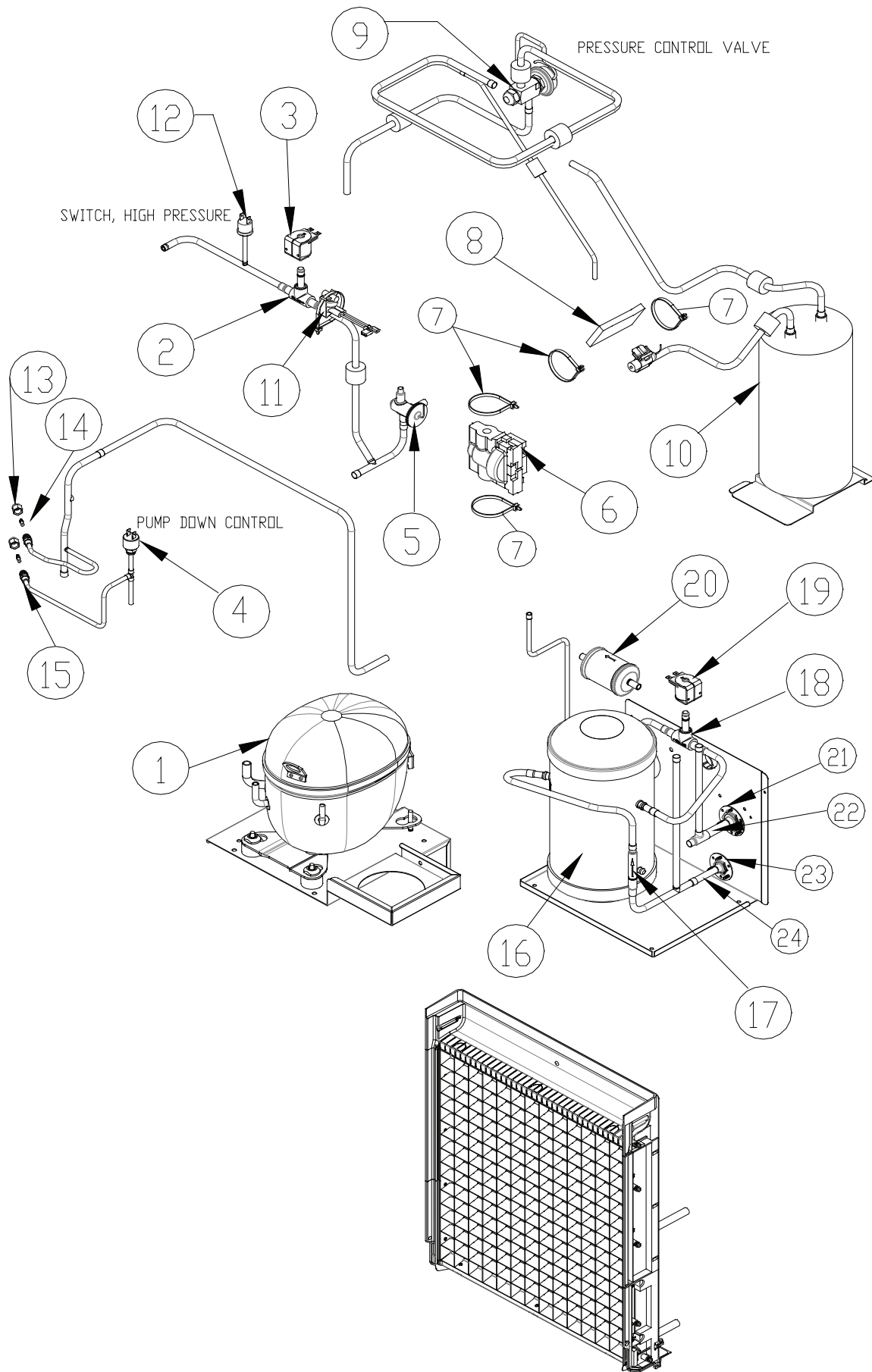
SWITCH, HIGH PRESSURE



REFERENCE PAGE 4 AND 5 FOR EVAPORATOR

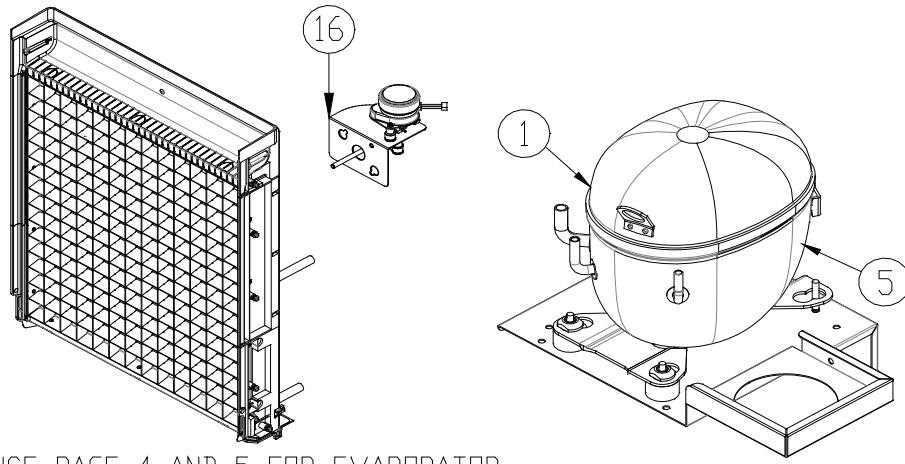
Item No.	Model Number			Description
	CIM0836W	CIM1136W	CIM1137W	
1	9181177-11	9181180-11	9181181-11	Compressor Kit
2	9151192-01	9151198-01	9151198-01	Hot Gas Valve Body
3	9151193-02	9151193-02	9151193-02	Hot Gas Valve Coil
4	9151165-101	9151165-101	9151165-101	TXV
5	9041098-02	9041098-02	9041098-02	High Temp Switch
6	9041111-01	9041111-01	9041111-01	Switch, High Pressure
7	9151163-02	9151163-02	9151163-02	Drier (Included in Compressor Kit)
8	9131544-01	9131544-01	9131544-01	Insulation, TXV
9	9131143-07	9131143-07	9131143-07	Insulation, Bulb
10	9021021-01	9021021-01	9021021-01	Cable Tie-For TXV and Bulb Insulation
11	9041059-01	9041059-01	9041059-01	Water Regulator
12	9141157-01	9141157-01	9141157-01	Condenser
13	9091086-03	9091086-03	9091086-03	Service Valve Cap
14	9091086-02	9091086-02	9091086-02	Service Valve Core
15	9091086-01	9091086-01	9091086-01	Service Valve Stem
	208-230/60/1	208-230/60/1	208-230/60/3	← Machine Voltage
	CIM0836W	CIM1136W	CIM1137W	Starting Components (Included in Comp Kit)
	9181177-11	9181180-11	9181181-11	Compressor Kit
	9181003-44	9181003-44	N/A	Start Capacitor
	9181009-16	9181009-16	N/A	Run Capacitor
	9181010-37	9181010-33	N/A	Compressor Relay
	Internal	Internal	N/A	Overload

Item No.	Model Number 220-240/50/1			Description
	CIM0835W	CIM1135W		
1	9181176-11	9181182-11		Compressor Kit
2	9151192-01	9151198-01		Hot Gas Valve Body
3	9151193-02	9151193-02		Hot Gas Valve Coil
4	9151165-101	9151165-101		TXV
5	9041098-02	9041098-02		High Temp Switch
6	9041111-01	9041111-01		Switch, High Pressure
7	9151163-02	9151163-02		Drier (Included in Compressor Kit)
8	9131544-01	9131544-01		Insulation, TXV
9	9131143-07	9131143-07		Insulation, Bulb
10	9021021-01	9021021-01		Cable Tie-For TXV and Bulb Insulation
11	9041059-01	9041059-01		Water Regulator
12	9141157-01	9141157-01		Condenser
13	9091086-03	9091086-03		Service Valve Cap
14	9091086-02	9091086-02		Service Valve Core
15	9091086-01	9091086-01		Service Valve Stem
	CIM0835W	CIM1135W		Starting Components (Included in Comp Kit)
	9181176-11	9181182-11		Compressor Kit
	9181003-53	9181003-56		Start Capacitor
	9181009-16	9181009-27		Run Capacitor
	9181010-36	9181010-35		Compressor Relay
	Internal	Internal		Overload

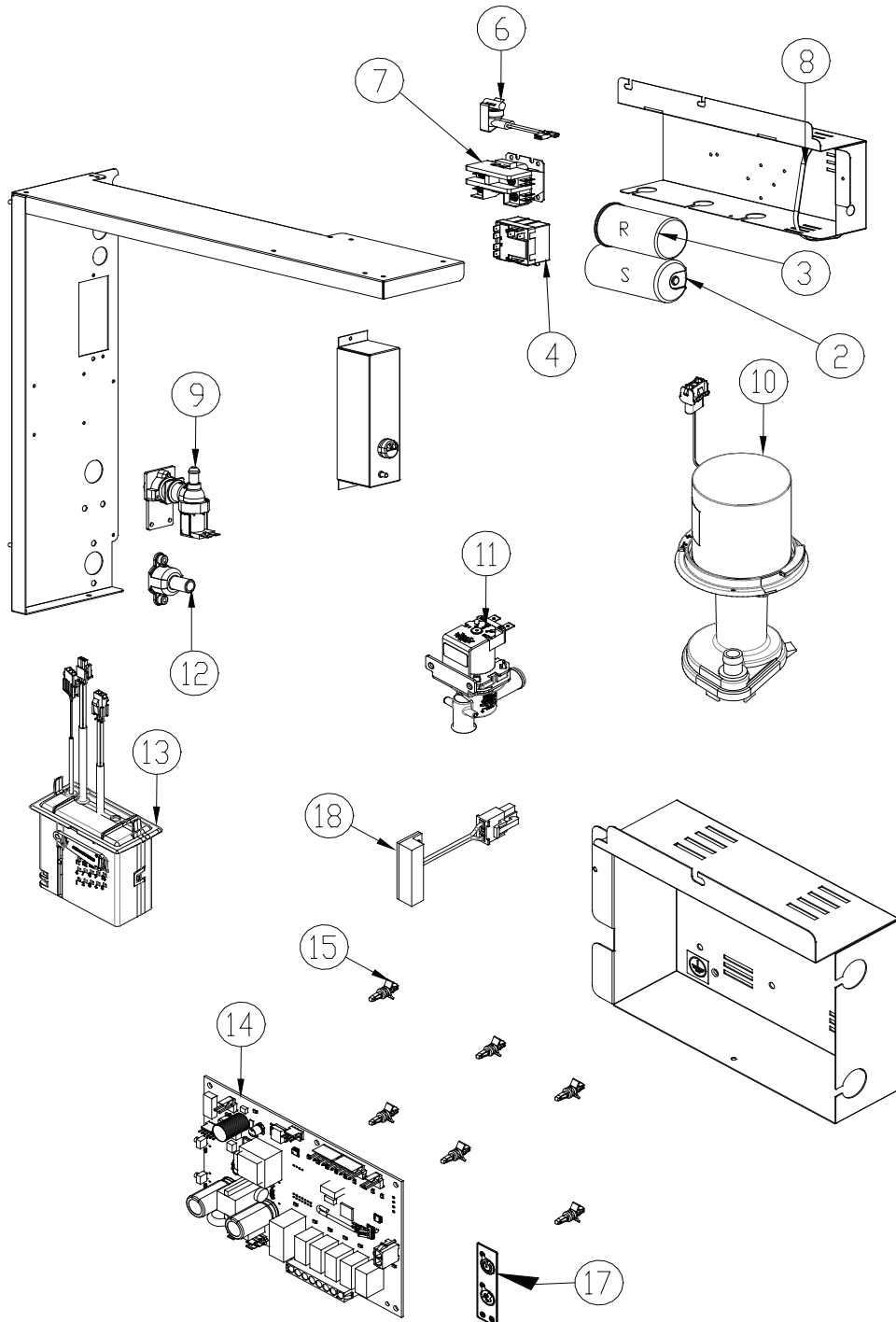


REFERENCE PAGE 4 AND 5 FOR EVAPORATOR

Item No.	Model Number					Description
	CIM0836R	CIM0835R	CIM1136R	CIM1135R	CIM1137R	
1	9181177-01	9181176-01	9181180-11	9181182-11	9181181-11	Compressor Kit
2	9151192-01	9151192-01	9151192-02	9151192-02	9151192-02	Hot Gas Valve Body
3	9151193-02	9151193-02	9151193-02	9151193-02	9151193-02	Hot Gas Valve Coil
4	9041092-02	9041092-02	9041092-02	9041092-02	9041092-02	Pump Down Control
5	9151165-101	9151165-101	9151165-101	9151165-101	9151165-101	TXV
6	9131544-01	9131544-01	9131544-01	9131544-01	9131544-01	Insulation, TXV
7	9021025-01	9021025-01	9021025-01	9021025-01	9021025-01	Cable Tie-For TXV and Bulb Insulation
8	9131143-07	9131143-07	9131143-07	9131143-07	9131143-07	Insulation, TXV Bulb
9	NA	NA	NA	NA	NA	Pressure Control Valve
10	NA	NA	NA	NA	NA	Accumulator
11	9041098-02	9041098-02	9041098-02	9041098-02	9041098-02	High Temp Switch
12	9041111-01	9041111-01	9041111-01	9041111-01	9041111-01	Switch, High Pressure
13	9091086-03	9091086-03	9091086-03	9091086-03	9091086-03	Service Valve Cap
14	9091086-02	9091086-02	9091086-02	9091086-02	9091086-02	Service Valve Core
15	9091086-01	9091086-01	9091086-01	9091086-01	9091086-01	Service Valve Stem
16	9151060-01	9151060-01	9151060-01	9151060-01	9151060-01	Receiver
17	9151139-01	9151139-01	9151139-01	9151139-01	9151139-01	Check Valve
18	9151192-02	9151192-02	9151192-02	9151192-02	9151192-02	Liquid Line Solenoid
19	9151193-02	9151193-02	9151193-02	9151193-02	9151193-02	Liquid Line Coil
20	9151163-03	9151163-03	9151163-03	9151163-03	9151163-03	Drier (Included in Compressor Kit)
21	9091001-09	9091001-09	9091001-09	9091001-09	9091001-09	1/2 Inch Coupling Flange (Large)
22	9091001-12	9091001-12	9091001-12	9091001-12	9091001-12	1/2 Inch Coupling (Large)
23	9091001-03	9091001-03	9091001-03	9091001-03	9091001-03	3/8 Inch Coupling Flange (Small)
24	9091001-11	9091001-11	9091001-11	9091001-11	9091001-11	3/8 Inch Coupling (Small)
	CIM0836R	CIM0835R	CIM1136R	CIM1135R	CIM1137R	Starting Components (Included in Comp Kit)
	9181177-11	9181176-11	9181180-11	9181182-11	9181181-11	Compressor Kit
	9181003-44	9181003-53	9181003-44	9181003-56	N/A	Start Capacitor
	9181009-16	9181009-16	9181009-16	9181009-27	N/A	Run Capacitor
	9181010-37	9181010-36	9181010-33	9181010-35	N/A	Potential Relay
	Internal	Internal	Internal	Internal	N/A	Overload
	208-230/60/1	220-240/50/1	208-230/60/1	220-240/50/1	208-230/60/3	← Machine Voltage



REFERENCE PAGE 4 AND 5 FOR EVAPORATOR





Item No.	Model Number				Description
	CIM0836	CIM0836GA	CIM1136W	CIM1137W	
1	9181177-11	9181180-11	9181180-11	9181181-11	Compressor
2	9181003-44	9181003-44	9181003-44	N/A	Start Capacitor
3	9181009-16	9181009-16	9181009-16	N/A	Run Capacitor
4	9181010-37	9181010-33	9181010-33	N/A	Potential Relay
5	Internal	Internal	Internal	N/A	Overload
6	9041098-02	9041098-02	9041098-02	9041098-02	Switch, High Temp
7	9101002-06	9101002-06	9101002-06	9101002-06	Contact
8	9021096-01	9021096-01	9021096-01	9021096-01	Cable Tie, Metal
9	9041108-02	9041108-02	9041108-02	9041108-02	Valve, Water Inlet
10	2062336-03S	2062336-03S	2062336-03S	2062336-03S	Water Pump
11	9041105-05	9041105-05	9041105-05	9041105-05	Purge Valve
12	9091140-01	9091140-01	9091140-01	9091140-01	Purge Drain
13	1051224-01	1051224-01	1051224-01	1051224-01	Float Switch Assembly (Includes Instructions)
14	9101368-02	9101368-02	9101368-02	9101368-02	Board Dual Voltage
15	9051698-01P	9051698-01P	9051698-01P	9051698-01P	Plastic Standoff, Control Board (Pkg of 10)
16	9161134-02	9161134-02	9161134-02	9161134-02	Harvest Assist
17	9101394-01	9101394-01	9101394-01	9101394-01	Membrane Switch (Includes Cable)
18	9101379-01	9101379-01	9101379-01	9101379-01	Switch, Magnetic Reed (Bin Control On Evap)
	208-230/60/1	208-230/60/1	208-230/60/1	208-230/60/1	← Machine Voltage

Item No.	Model Number 220-240/50/1				← Machine Voltage
	CIM0835W		CIM1135W		
1	9181176-11		9181182-11		Compressor Kit
2	9181003-53		9181003-56		Start Capacitor
3	9181009-16		9181009-27		Run Capacitor
4	9181010-36		9181010-35		Compressor Relay
5	Internal		Internal		Overload
6	9041098-02		9041098-02		Switch, High Temp
7	9101002-06		9101002-06		Contact
8	9021096-01		9021096-01		Cable Tie, Metal
9	9041108-02		9041108-02		Valve, Water Inlet
10	2062336-03S		2062336-03S		Water Pump
11	9041105-05		9041105-05		Purge Valve
12	9091140-01		9091140-01		Purge Drain
13	1051224-01		1051224-01		Float Switch Assembly (Includes Instructions)
14	9101368-02		9101368-02		Board Dual Voltage
15	9051698-01P		9051698-01P		Plastic Standoff, Control Board (Pkg of 10)
16	9161134-02		9161134-02		Harvest Assist
17	9101394-01		9101394-01		Membrane Switch (Includes Cable)
18	9101379-01		9101379-01		Switch, Magnetic Reed (Bin Control On Evap)