

Model Numbers

ICRA-1	ICRA-2
ICRA-3	ICRA-4
ICRA-5	ICRA-6
ICRA-7	ICRA-8



Water cooled top and built-in drain system help control stove top temperature.



Knee level "L" shaped handle on jet burners conveniently adjusts gas keeping hands free for cooking.



Jet burners are available in 18, 23 and 32 tip styles.



3-ring burner has two adjustable gas valves for inner and outer rings.



ICRA-1 shown with optional casters

**WATER COOLED TOP** - Manually-controlled or automatic Chinese swing faucets available.

- Manual faucet services two woks.
- Automatic faucets are located behind each wok hole.
- Built-in drain system controls the temperature of the stove top.

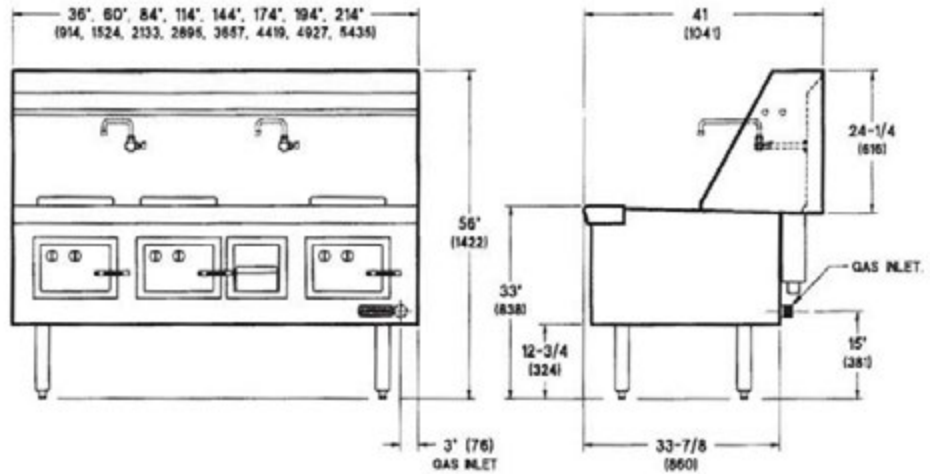
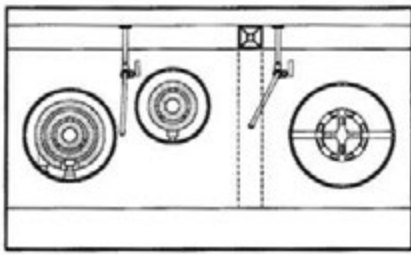
**KNEE LEVEL CONTROLS ON JET BURNERS** - Conveniently located "L" shaped handle adjusts burner keeping hands free for cooking.

**4 BURNER STYLES** - Jet and ring burner styles are available:

- Anti-clogging 18 tip jet burner with 125,000 BTU (37 KW) output.
- 23 tip jet burner has a 125,000 BTU (37 KW) output.
- 32 tip jet burner with 160,000 BTU (47 KW) output requires a 20" (508 mm) minimum hole.
- Three-ring burner has a total output of 110,000 BTU (32 KW) and requires a 16" (406 mm) minimum hole.
  - Two adjustable gas valves for inner and outer rings.
- All burners have continuous pilots for instant ignition.

**EXTERIOR FEATURES** - Stainless steel front, sides, top, high backsplash and pipe rack.

- Large 7" (178 mm) stainless steel landing ledge.
- Models available with 1 to 8 wok holes.
- Many wok hole sizes are available: 13", 14", 16" 18", 20", 22" and 24" (330, 356, 406, 457, 508, 559 and 610 mm).
- Welded and finished seams for a professional look.
- 12-3/4" (324 mm) heavy duty legs have adjustable feet.
- Many options and accessories are available.
- One year parts and labor warranty.



MODEL	MAX WIDTH	NUMBER OF BURNERS	SHIP WEIGHT (KG)	LBS
ICRA-1	36" (914 mm)	1	(136)	300
ICRA-2	60" (1524 mm)	2	(249)	550
ICRA-3	84" (2134 mm)	3	(362)	800
ICRA-4	114" (2896 mm)	4	(478)	1055
ICRA-5	142" (3607 mm)	5	(634)	1400
ICRA-6	174" (4420 mm)	6	(747)	1650
ICRA-7	194" (4928 mm)	7	(905)	2000
ICRA-8	214" (5436 mm)	8	(1019)	2250

Measurements in ( ) are metric equivalents.

MANIFOLD PRESSURE	MANIFOLD SIZE
NATURAL GAS 5.0" W.C.	3/4"
PROPANE GAS 10.0" W.C.	

Specify type of gas and elevation, if over 2,000 ft.

**CLEARANCE REQUIREMENTS**

For use only on non-combustible floors with legs or casters. 0" clearance from non-combustible side and rear walls. Provide 6" (152 mm) minimum clearance from combustible side walls and 0" from combustible wall at rear.

**NOTES**

Specify location of gas inlet - left or right rear.  
Specify Drain Outlet - left rear, right rear or front drain. (Drain is usually on the opposite side of the gas inlet.)

**Plumbing:** All outlets should be roughed in low - 8" (203) from the walls or from the floor.

**Total length:** Total of all cylinder diameters + total space between holes, and right and left edge. Allow 6" (152) for each space and 14" (356) for front Drain Basket.

MODEL	DIMENSIONS	CRATED DIMENSIONS
ICRA-1	36" w x 41" d x 33" h* (914 x 1041 x 838 mm)	40" w x 42" d x 37" h (1016 x 1067 x 585 mm)
ICRA-2	60" w x 41" d x 33" h* (1524 x 1041 x 838 mm)	65" w x 42" d x 37" h (1652 x 1067 x 585 mm)
ICRA-3	84" w x 41" d x 33" h* (2134 x 1041 x 838 mm)	89" w x 42" d x 37" h (2261 x 1067 x 585 mm)
ICRA-4	114" w x 41" d x 33" h* (2896 x 1041 x 838 mm)	119" w x 42" d x 37" h (3023 x 1067 x 585 mm)
ICRA-5	142" w x 41" d x 33" h* (3607 x 1041 x 838 mm)	Ships in two pieces. Contact factory for dimensions
ICRA-6	174" w x 41" d x 33" h* (4420 x 1041 x 838 mm)	Ships in two pieces. Contact factory for dimensions
ICRA-7	194" w x 41" d x 33" h* (4928 x 1041 x 838 mm)	Ships in two pieces. Contact factory for dimensions
ICRA-8	214" w x 41" d x 33" h* (5436 x 1041 x 838 mm)	Ships in two pieces. Contact factory for dimensions

\* to cooktop

**OPTIONS AND ACCESSORIES**

- Hole sizes available at no additional cost: 13" (330 mm), 14" (356 mm), 16" (406 mm), 18" (457 mm), 20" (508 mm), 22" (559 mm), and 24" (610 mm)
- Wok Hole Adapter to reduce diameter of hole, specify hole dimensions
- Special depth available
- The following 3 Burners are available at no additional cost. Specify type of burners for each cylinder
  1. Three-ring Burner, 16" (406) hole minimum, 110,000 BTU (32 KW)
  2. 23-Tip Jet Burner, 125,000 BTU (37 KW)
  3. Anti-clogging 18-Tip Jet Burner, 125,000 BTU (37 KW)
- 32-Tip Jet Burner, 160,000 BTU (47 KW) 20" (508) hole minimum, (Additional charge)
- Heavy duty manually controlled chinese swing faucet will service two woks. Automatic faucets are located behind each cylinder
- Extra manual faucet
- Stainless Steel Burner Covers
- Front Drain Basket for one or two burner models  
Rear Drain is standard for ICRA-1 and ICRA-2.
- Stainless Steel Side Splash Extensions
- Hong Kong style
- Oil Holes 8-1/2" (216 mm)
- Extra 6 Pan Stainless Steel Sauce Pan, 9 Pan Stainless Steel Sauce Pan and 12 Pan Stainless Steel Sauce Pan
- Water Wash System for Stainless Steel Back splash
- Chrome Legs, set of 4, 6 and 8
- Casters, set of 4, 6 and 8



1128 Sherborn Street Corona, CA 92879  
800.343.7790 Ph: 951.281.1830 Fx: 951.281.1879  
www.imperialrange.com  
E-mail: imperialsales@imperialrange.com

