

UNF-0200 / UNF-0300

Nugget Ice Machines

Project _____
 Item _____
 Quantity _____
 CSI Section 11400
 Approved _____
 Date _____

UNF-0200 / UNF-0300 Nugget Ice Machines

Models

- UNF-0200A UNF-0300A



Model UNF-0200A
Nugget Ice Machine



Model UNF-0300A
Nugget Ice Machine

Standard Equipment

Ice Scoop, 6" Bin Legs, Alternate Low Profile Legs
 Standard Legs Adjustable from 4-1/2" to 6" and
 Low Profile Non-Adjustable at 1/4"

Ice Machine Electric

*115/60/1 (230/50/1 also available.)
 115/60/1 ice machines are factory
 pre-wired with a 6' (180 cm)
 power cord and NEMA 5-15P plug
 configuration.

*230/50/1 ice machines are factory
 pre-wired with a 6' (180 cm) power
 cord with no plug.

Total ampacity:

Air-cooled: 10 amps.

Maximum fuse size:

Air-cooled: 15 amps.

HACR-type circuit breakers can be used
 in place of fuses

Specifications

Condenser Heat of Rejection (BTU per hour):
 2,400 (average) on UNF0200 and 3,500
 (average) on UNF0300

Compressor:

Nominal rating: 1/4 HP on UNF0200 and 1/2
 HP on UNF0300

Refrigerant:

R-404A

Operating Limits:

- Ambient Temperature Range:
50° -110° F (10° -43° C)
- Water Temperature Range:
37° -90° F (3° -32° C)
- Water Pressure Ice Maker Water In:
Min. 14 psi (96.5 kPa)
Max. 80 psi (551.6 kPa)

Standard Features

- Bite-Size Nugget that boasts one of the industry's best ice to water ratios for nugget ice, maximizing cooling capability while minimizing drink dilution.
- Undercounter installation - UNF-0200 for kitchen counters and UNF-0300 for bar height counters.
- Up to 330 lbs. (150 kgs) daily nugget ice production.
- Perfect for carbonated beverages, blended smoothies and healthcare/physical therapy.
- Up to 50 lbs. (23 kgs) ice storage capacity.
- High load capacity bearings for enhanced reliability.
- Heavy duty stainless steel cabinet resists corrosion.
- Easy access door, slides up & out of the way.



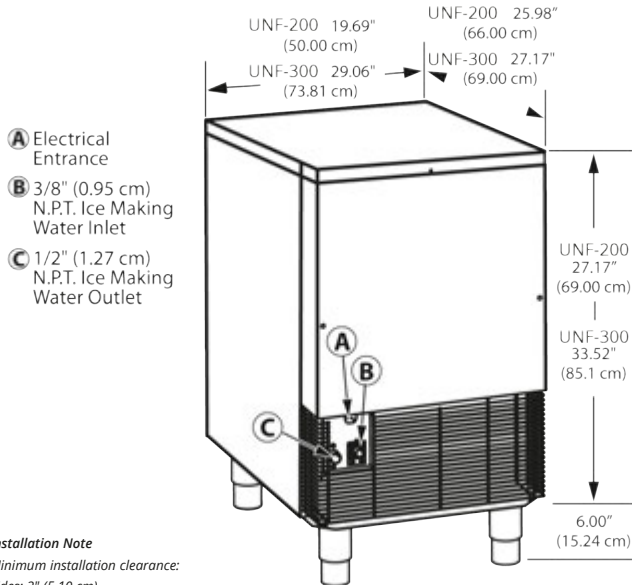
Ice Shape

Nugget ice consists of small pieces ranging from 3/8" to 1/2" in width and length on average. Offers a 85% ice to water ratio with a soft, chewable texture while still providing maximum cooling effect and great dispensibility.





UNF-0200 / UNF-0300



Installation Note
Minimum installation clearance:
Sides: 2" (5.10 cm)
Back: 5" (12.70 cm)

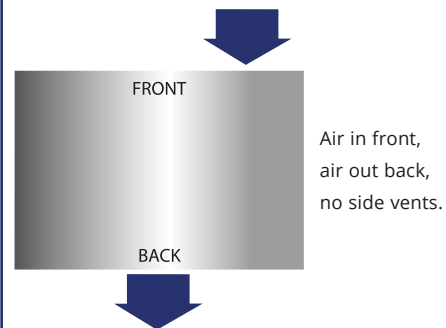
Space-Saving Designs



| | UNF-0200 | UNF-0300 |
|---------|--------------------|--------------------|
| Height | 33.17" 84.24 cm | 39.52" 100.4 cm |
| Width | 19.69" 50.00 cm | 29.06" 73.81 cm |
| Depth | 25.98" 66.00 cm | 27.17" 69.00 cm |
| Bin | 20 lbs. | 50 lbs. |
| Storage | 9 kgs | 23 kgs |

Height includes adjustable bin legs 4.50" to 6.00" (11.43 cm to 15.24 cm) set at 6.00" (15.24 cm).

Air Flow Overhead View



| Air-Cooled Ice Machine | Model | Ice Shape | Ice Production 24 Hours | | Power kWh/100 lbs @ 90°Air/70°F 32°Air/21°C | Potable Water Usage (100 lbs./ 45.4 kgs of Ice) | Application Capacity* | 2017 AHRI Capacity** | 2018 AHRI Capacity*** |
|------------------------|--------|-----------|-------------------------------------|-------------------------------------|---|---|-----------------------|----------------------|-----------------------|
| | | | 70°Air/50°F Water 21°Air/10°C Water | 90°Air/70°F Water 32°Air/21°C Water | | | | | |
| UNF-0200 | Nugget | Nugget | 213 lbs. | 164 lbs. | 6.65 | 12 gal. 45.4 L | 30lbs. 14 lbs. | 20lbs. 9 kg | 1.03 Cu. ft 23 kg |
| | | | 97 kg | 74 kg | | | | | |
| UNF-0300 | Nugget | Nugget | 330 lbs. | 275 lbs. | 6.43 | 12 gal. 45.4 L | 60 lbs. 27 lbs. | 50 lbs. 23 kg | 2.04 Cu. ft 0.06 |
| | | | 150 kg | 125 kg | | | | | |

*"A" following model number indicates "Air" condensing unit.
*Application capacity is based on 90% of the volumex 33lbs/ft3 average density of ice must be managed
**2017 Approved AHRI capacity is based on 80% of the total volumen x 30 lbs/ft3 average density of ice
***2018 AHRI certified measurement for bin capacity*

Welbilt reserves the right to make changes to the design or specifications without prior notice.