

UFP0200 Flake Ice Machines

UFP0200 Flake Ice Machines

Model

UFP0200A



Model UFP0200A
Flake Ice Machine

Standard Features

- Up to 272 lbs. (123 kgs) daily flake ice production.
- Up to 50 lbs. (23 kgs) ice storage capacity.
- Flake ice is perfect for food display, salad bars, and cold therapy/healthcare.
- High load maintenance free bearings for enhanced reliability.
- R290 Refrigerant is environmentally friendly with less ozone depletion compared to R404
- Easy access door, slides up & out of the way.



Standard Equipment

UFP0200A

Ice Scoop, 6" Bin Legs, Standard Legs Adjustable from 4-1/2" to 6"

Ice Machine Electric

*115/60/1. (230/50/1 also available.)
115/60/1 ice machines are factory pre-wired with a 6' (180 cm) power cord and NEMA 5-15P plug configuration.

*230/50/1 ice machines are factory pre-wired with a 6' (180 cm) power cord with no plug.

Total ampacity:

Air-cooled: 5.5 amps.

Maximum fuse size:

Air-cooled: 15 amps.

HACR-type circuit breakers can be used in place of fuses

Specifications

Condenser Heat of Rejection (BTU per hour):
3,038 (average)

Compressor:
Nominal rating: 1/4 HP

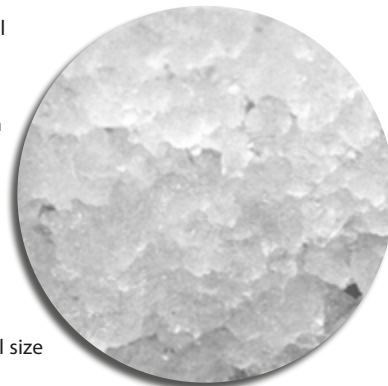
Refrigerant:
R290A

Operating Limits:

- Ambient Temperature Range: 50°-110°F (10°-43°C)
- Water Temperature Range: 37°-90°F (3°-32°C)
- Water Pressure Ice Maker Water In: Min. 14 psi (96.5 kPa) Max. 80 psi (551.6 kPa)

Ice Shape

Flake ice is small hard bits of ice ideally suited for presentation applications.



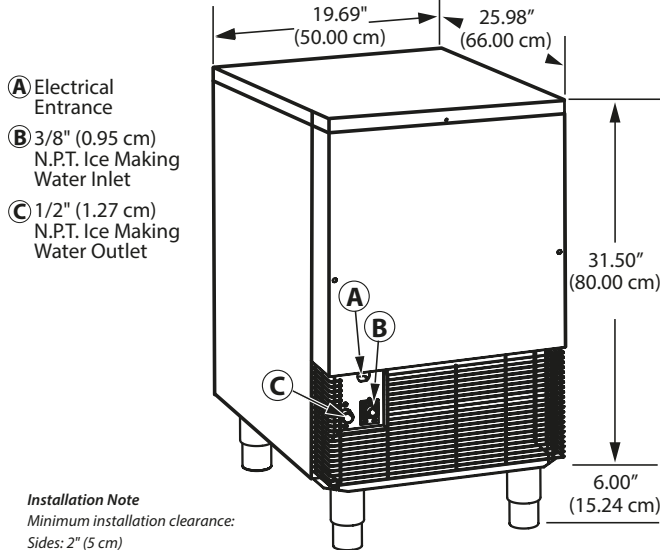
Ice shown actual size



COMPANY WITH
QUALITY SYSTEM



UFP0200



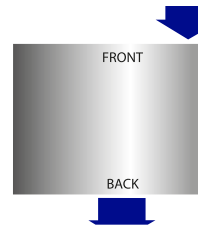
Space-Saving Designs



	UFP0200A
Height	37.50" 95.24 cm
Width	19.69" 50.00 cm
Depth	25.98" 66.00 cm
Bin Storage	50 lbs. 23 kgs

Height includes adjustable bin legs 4.50" to 6.00"
 (11.43 cm to 15.24 cm) set at 6.00" (15.24 cm).

Air Flow Overhead View



Air-cooled Ice Machine	Model	Ice Shape	Ice Production 24 Hours		Power kWh/100 lbs @ 90° Air/70°F 32° Air/21°C	Potable Water Usage (100 lbs./ 45.4 kgs of Ice)	Application Capacity*	2017 AHRI Capacity**	2018 AHRI Capacity**
			70° Air/50°F Water 21° Air/10°C Water	90° Air/70°F Water 32° Air/21°C Water					
UFP0200A	Flake		272 lbs.	201 lbs.	5.05	12 gal.	50 lbs.	40 lbs	1.70 Cu ft
			123 kgs	91 kgs					

"A" following model number indicates "Air" condensing unit.
 * Application capacity is based on 90% of the volume x 33 lbs/ft³ average density of ice must be managed
 **2017 Approved AHRI capacity is based on 80% of the total volume x 30 lbs/ft³ average density of ice
 ***2018 AHRI certified measurement for bin capacity