



# T&S BRASS AND BRONZE WORKS, INC.

2 Saddleback Cove / P.O. Box 1088  
Travelers Rest, SC 29690

Model No.

**B-1156**

Item No.

Travelers Rest, SC: 800-476-4103 • Simi Valley, CA: 800-423-0150 • Fax: 864-834-3518 • www.tsbrass.com

This Space for Architect/Engineer Approval

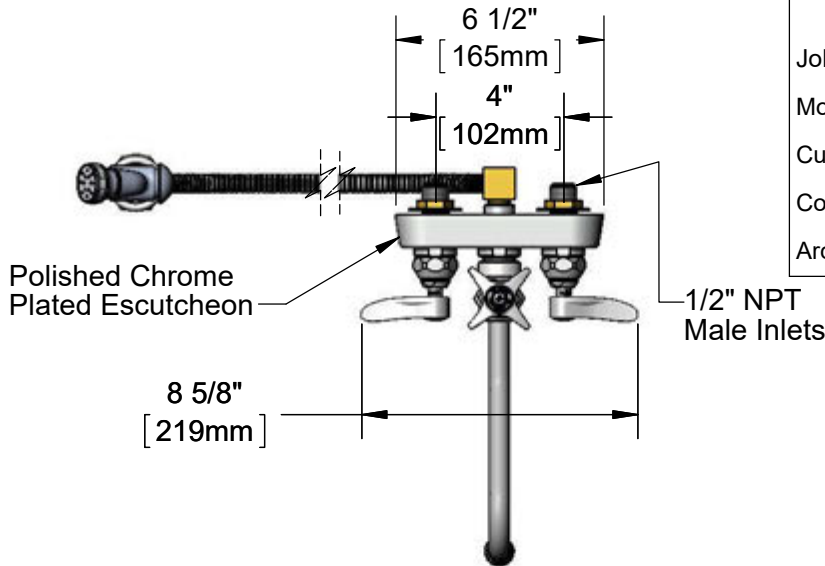
Job Name \_\_\_\_\_ Date \_\_\_\_\_

Model Specified \_\_\_\_\_ Quantity \_\_\_\_\_

Customer/Wholesaler \_\_\_\_\_

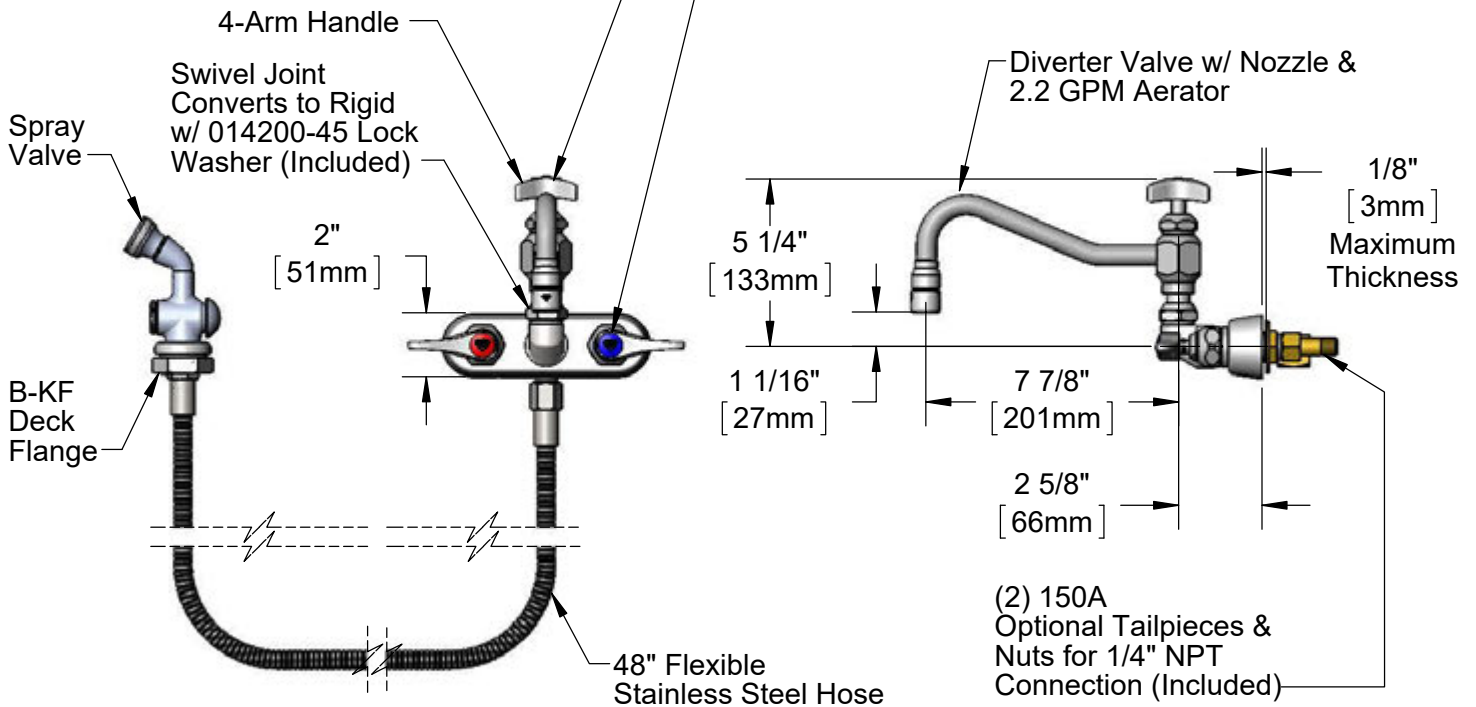
Contractor \_\_\_\_\_

Architect/Engineer \_\_\_\_\_



Opening Faucet Pressurizes Hose. For Full Hose Pressure, Turn 4-Arm Handle Until It Pops Up, Stopping Water Flow Through Nozzle

Quarter-Turn Eterna Cartridges w/ Spring Checks & Lever Handles w/ Color Coded Indexes



**Rough-In Requirement:**

Faucet: (3)  $\phi$  1" [25mm] Mounting Holes

Deck Flange: (1)  $\phi$  1 9/16" [40mm] Mounting Hole

**Product Specifications:**

4" Wall Mount Workboard Mixing Faucet, Quarter-Turn Eterna Cartridges w/ Spring Checks, Lever Handles, Diverter Valve w/ 7 7/8" Swing Nozzle, 2.2 GPM Aerator, 48" Flexible Stainless Steel Hose, Spray Valve, Deck Flange & 1/2" NPT Male Inlets

**Product Compliance:**

ASME A112.18.1 / CSA B125.1  
NSF 61 - Section 9  
NSF 372 (Low Lead Content)



# T&S BRASS AND BRONZE WORKS, INC.

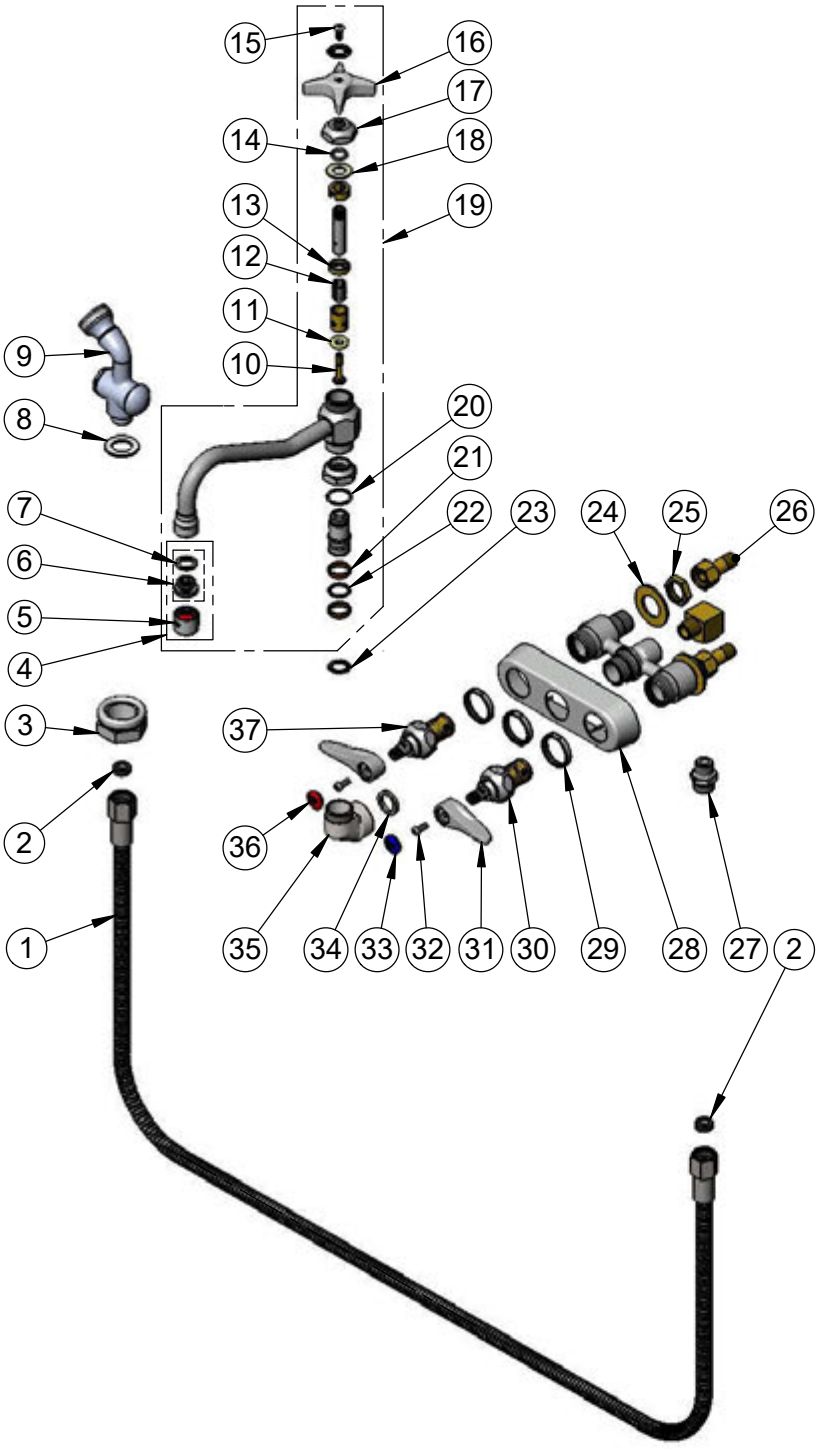
2 Saddleback Cove / P.O. Box 1088  
Travelers Rest, SC 29690

Model No.

**B-1156**

Item No.

Travelers Rest, SC: 800-476-4103 • Simi Valley, CA: 800-423-0150 • Fax: 864-834-3518 • www.tsbrass.com



ITEM NO.	SALES NO.	DESCRIPTION
1	013E-48H	48" Flexible Stainless Steel Hose
2	010476-45	#27 Washer
3	B-KF	Protective Flange
4	B-0199-02	2.2 GPM Aerator, 3/8" NPSM Male
5	B-0199-01	2.2 GPM Aerator, 55/64"-27 UN Female
6	044A	3/8" to Aerator Adapter
7	001043-45	Washer
8	001010-40	Washer, Stainless Steel
9	002857-40	Spray Valve Assembly
10	000832-20	Stem Diverter Bottom
11	001084-45	Seat Washer
12	000893-45	Spring
13	000875-20	Washer
14	001075-45	O-ring, Nitrile -111
15	000922-45	Lever Handle Screw
16	002521-45	4-Arm Handle
17	000881-40	Bonnet Nut
18	001047-45	Washer, Santoprene
19	002878-40	Diverter Valve w/ Nozzle & 2.2 GPM Aerator
20	009E	Plastic Washer
21	011429-45	Swivel Sleeves (2)
22	001074-45	O-Ring
23	014200-45	Star Washer, Anti-Rotation
24	000999-45	Brass Lock Washer
25	002954-45	Shank Lock Nut
26	150A	1/4" NPT Tailpiece & Nut
27	053A	Adapter, 3/8" NPT Male
28	019374-40	B-1110 Eterna Workboard Escutcheon
29	019376-40	Escutcheon Lock Nut
30	019383-40	Quarter-Turn New Style Eterna Cartridge w/ Spring Check, RTC
31	019361-45	Lever Handle (New Style)
32	000925-45	Lab Handle Screw
33	019363-45	Blue Button Index, Press-in
34	001017-45	Washer
35	000082-40	B-1100 Knob
36	019364-45	Red Button Index, Press-in
37	019382-40	Quarter-Turn New Style Eterna Cartridge w/ Spring Check, LTC

**Product Specifications:**  
4" Wall Mount Workboard Mixing Faucet, Quarter-Turn Eterna Cartridges w/ Spring Checks, Lever Handles, Diverter Valve w/ 7 7/8" Swing Nozzle, 2.2 GPM Aerator, 48" Flexible Stainless Steel Hose, Spray Valve, Deck Flange & 1/2" NPT Male Inlets

**Product Compliance:**  
ASME A112.18.1 / CSA B125.1  
NSF 61 - Section 9  
NSF 372 (Low Lead Content)