



**T&S BRASS AND BRONZE WORKS, INC.**  
 2 Saddleback Cove / P.O. Box 1088  
 Travelers Rest, SC 29690

Model No.  
**B-0610-CR**

Item No.

Travelers Rest, SC: 800-476-4103 • Simi Valley, CA: 800-423-0150 • Fax: 864-834-3518 • www.tsbrass.com

This Space for Architect/Engineer Approval

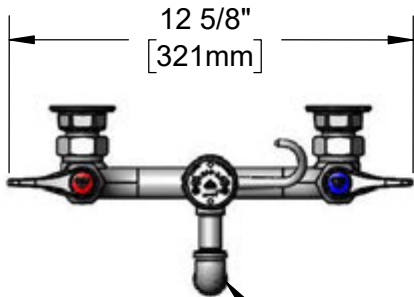
Job Name \_\_\_\_\_ Date \_\_\_\_\_

Model Specified \_\_\_\_\_ Quantity \_\_\_\_\_

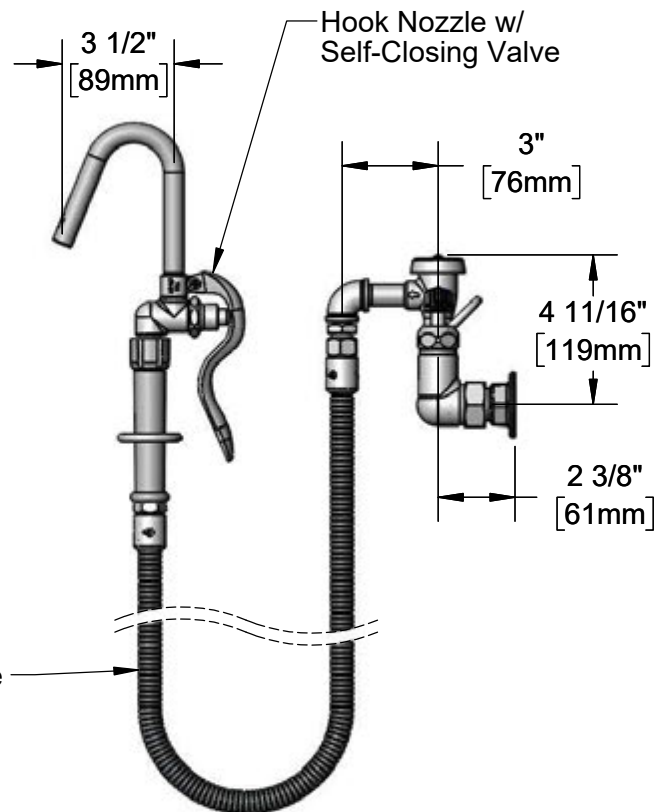
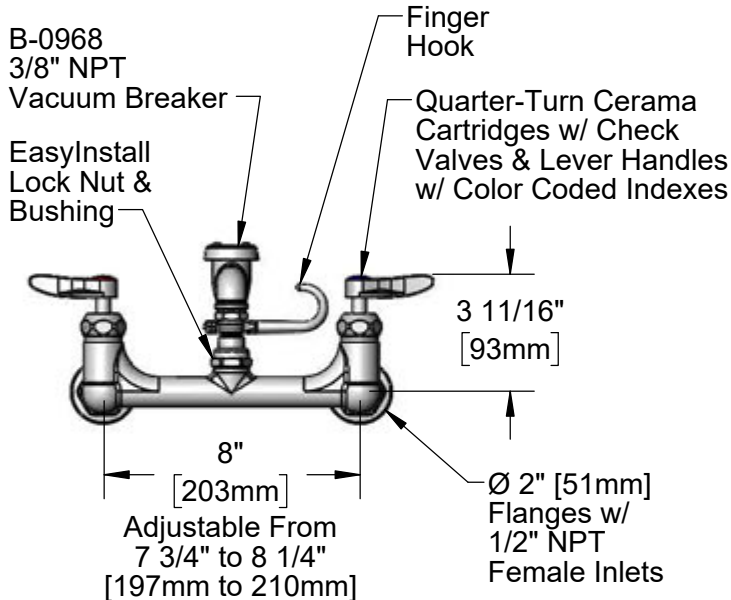
Customer/Wholesaler \_\_\_\_\_

Contractor \_\_\_\_\_

Architect/Engineer \_\_\_\_\_



Items Not Shown For Clarity



Product Specifications:

Kettle & Pot Filler Wall Mount Faucet, Quarter-Turn Cerama Cartridges w/ Check Valves, Lever Handles, 3/8" NPT Vacuum Breaker, 68" Flexible Stainless Steel Hose, Hook Nozzle & 1/2" NPT Female Inlets

Product Compliance:

ASME A112.18.1 / CSA B125.1  
 NSF 61 - Section 9  
 NSF 372 (Low Lead Content)  
 ASSE 1001 (VB)  
 EPA Act 2005 Non-Compliant



# T&S BRASS AND BRONZE WORKS, INC.

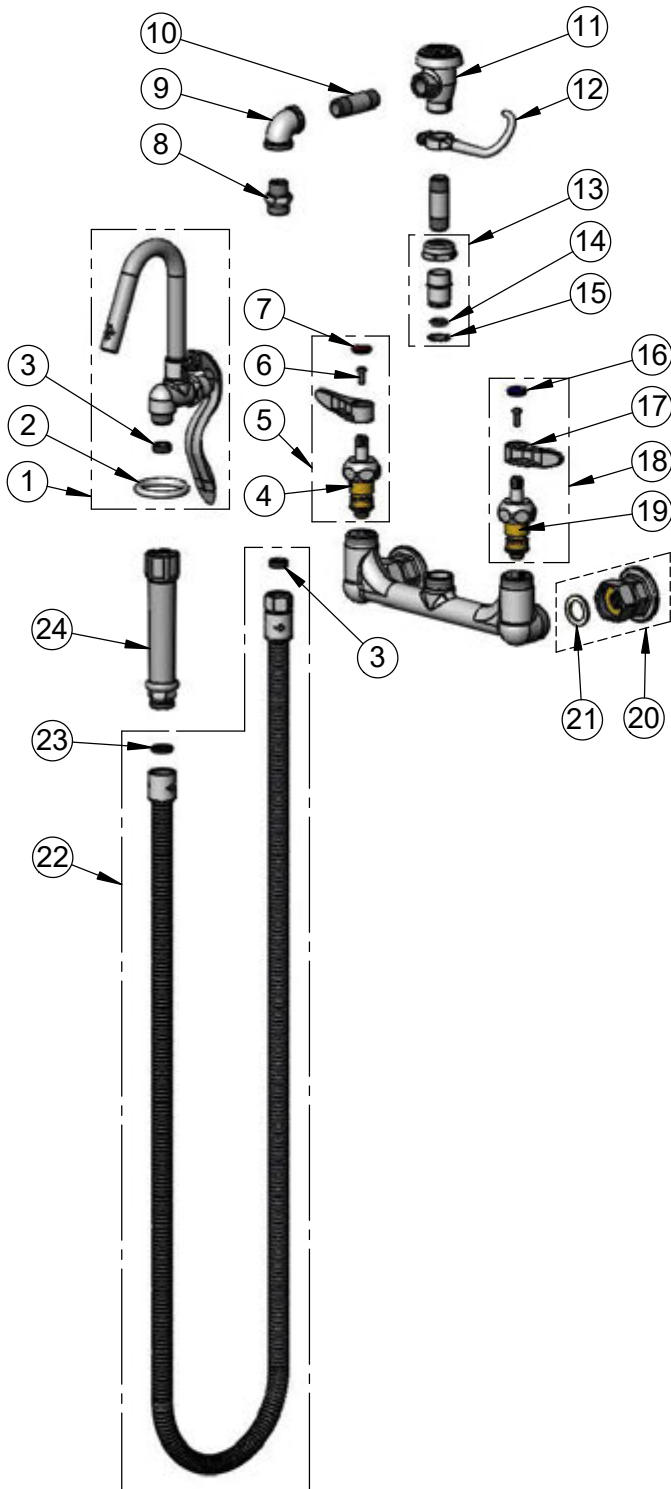
2 Saddleback Cove / P.O. Box 1088  
Travelers Rest, SC 29690

Model No.

**B-0610-CR**

Item No.

Travelers Rest, SC: 800-476-4103 • Simi Valley, CA: 800-423-0150 • Fax: 864-834-3518 • www.tsbrass.com



ITEM NO.	SALES NO.	DESCRIPTION
1	002851-40	Hook Nozzle Spray Valve
2	000907-45	Spray Valve Hold Down Ring
3	010476-45	#27 Washer
4	012394-25NS	Quarter-Turn Cerama Cartridge w/ Check Valve, RTC
5	012446-25NS	Quarter-Turn Cerama Cartridge w/ Check Valve, Handle, Red Index & Screw, RTC
6	000925-45	Lab Handle Screw
7	001193-19NS	Red Button Index, Press-in
8	053A	Adapter, 3/8" NPT Male
9	001355-40	Elbow, 3/8 NPT
10	000357-40	Nipple, 3/8" NPT x 2"
11	B-0968	3/8" NPT Vacuum Breaker
12	004R	Finger Hook
13	EZ-K	EasyInstall Kit
14	001065-45	O-ring
15	014200-45	Star Washer, Anti-Rotation
16	018506-19NS	Blue Button Index, Press-in
17	001638-45NS	Lever Handle (New Style)
18	012447-25NS	Quarter-Turn Cerama Cartridge w/ Check Valve, Handle, Blue Index & Screw, LTC
19	012395-25NS	Quarter-Turn Cerama Cartridge w/ Check Valve, LTC
20	00AA	1/2" NPT Female Eccentric Flange
21	001019-45	Coupling Nut Washer
22	B-0068-H2A	68" Flexible Stainless Steel Hose, Less Handle
23	001014-45	Washer, B-0100 Hose Barrel
24	002987-40	Grip Handle

**Product Specifications:**

Kettle & Pot Filler Wall Mount Faucet, Quarter-Turn Cerama Cartridges w/ Check Valves, Lever Handles, 3/8" NPT Vacuum Breaker, 68" Flexible Stainless Steel Hose, Hook Nozzle & 1/2" NPT Female Inlets

**Product Compliance:**

ASME A112.18.1 / CSA B125.1  
NSF 61 - Section 9  
NSF 372 (Low Lead Content)  
ASSE 1001 (VB)  
EPA Act 2005 Non-Compliant