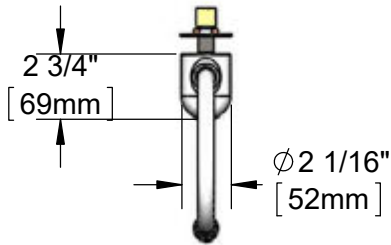
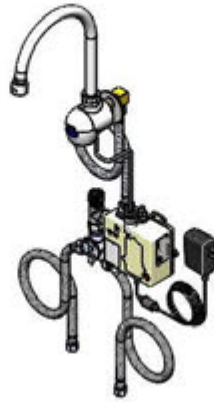




ADA Compliant



This Space for Architect/Engineer Approval

Job Name \_\_\_\_\_ Date \_\_\_\_\_

Model Specified \_\_\_\_\_ Quantity \_\_\_\_\_

Customer/Wholesaler \_\_\_\_\_

Contractor \_\_\_\_\_

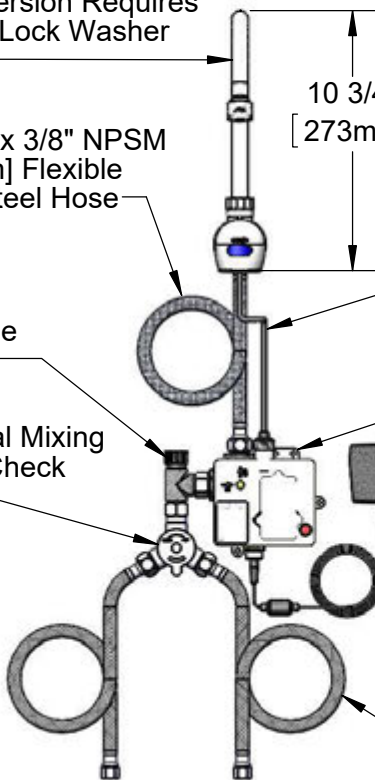
Architect/Engineer \_\_\_\_\_

Swivel Gooseneck w/  
B-0199-06-N05  
VR 0.5 GPM [1.9 LPM]  
Non-Aerated Spray Device.  
Rigid Conversion Requires  
014200-45 Lock Washer  
(Included)

1/2" NPSM x 3/8" NPSM  
30" [762mm] Flexible  
Stainless Steel Hose

Removable  
Strainer

Mechanical Mixing  
Valve w/ Check  
Valves



24" [610mm]  
Sensor Cable

3 5/8" x 4 3/16" x 2" Deep  
[92mm x 106mm x 51mm]  
Control Module Box (White)  
w/ Water Resistant Connections.  
AC or DC Operated w/  
(4) AA Batteries

100-240 Vac Adapter  
71" [1800mm] Power  
Cord. (Remove Rubber  
Plugs on Module & Cable  
to Connect

(2) 3/8" Compression x 1/2" NPSM Female  
18" [457mm] Flexible Stainless Steel Supply  
Hoses

Mounting  
Surface

7 5/16"  
[185mm]

6 3/8"  
[162mm]

1 15/16"  
[49mm]

9 3/8"  
[238mm]

4 7/8"  
[123mm]

Short Elbow  
for Restricted  
Space  
Installations

3/4"  
[19mm]  
Maximum  
Thickness

Rough-In Requirement  
Ø 1 1/8" [29mm] Mounting Hole

Model Number

**5EF-1D-WG-VF05**

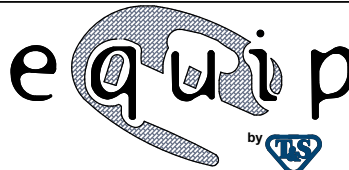
Product Specifications:

Electronic Faucet: Wall Mount Swivel Gooseneck w/ VR 0.5 GPM  
Non-Aerated Spray Device, Temperature Control Mixing Valve w/ Check  
Valves, (2) 18" Flexible Supply Hoses & AC-DC Control Module

Product Compliance:

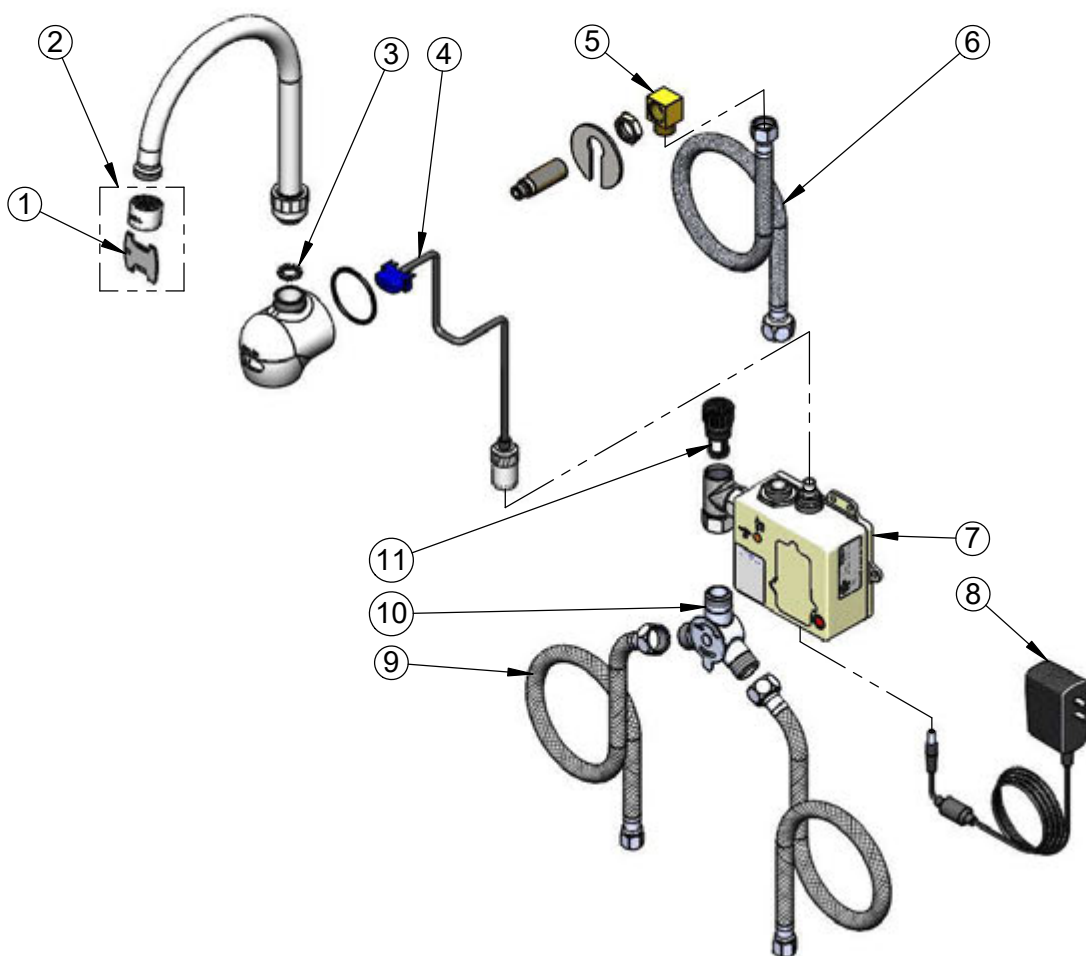
ASME A112.18.1 / CSA B125.1  
NSF 61 - Section 9  
NSF 372 (Low Lead Content)  
ANSI A117.1 (ADA)  
UL 1951

equip  
Foodservice  
Accessories



2 Saddleback Cove, P.O. Box 1088  
Travelers Rest, South Carolina 29690  
Phone: 800.891.4808 Fax: 800.868.0084  
equip.tsbrass.com

ITEM NO.	SALES NO.	DESCRIPTION
1	015425-45	Vandal Resistant Key
2	B-0199-06-N05	VR 0.5 GPM Non-Aerated Spray Device, 55/64-27 UN Female w/ Key
3	017421-45	Serrated Lock Washer
4	5EF-0003	24" Sensor Cable
5	015345-20	3/8-18 Low Profile Elbow
6	016325-45	Inlet Hose, Faucet, 1/2" NPSM Female x 3/8" NPSM Female
7	5EF-0001	equip Sensor Faucet Control Module
8	5EF-0002	equip AC Transformer, 100-240 VAC
9	5EF-0005	Supply Hose, 9/16-24 Female x 1/2" NPSM
10	5EF-0006	Mechanical Mixing Valve
11	5EF-FILTER	Replacement Filter



Model Number

**5EF-1D-WG-VF05**

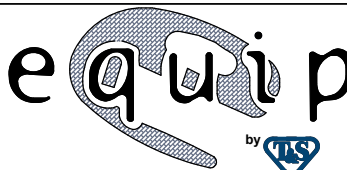
Product Specifications:

Electronic Faucet: Wall Mount Swivel Gooseneck w/ VR 0.5 GPM Non-Aerated Spray Device, Temperature Control Mixing Valve w/ Check Valves, (2) 18" Flexible Supply Hoses & AC-DC Control Module

Product Compliance:

ASME A112.18.1 / CSA B125.1  
NSF 61 - Section 9  
NSF 372 (Low Lead Content)  
ANSI A117.1 (ADA)  
UL 1951

equip  
Foodservice  
Accessories



2 Saddleback Cove, P.O. Box 1088  
Travelers Rest, South Carolina 29690  
Phone: 800.891.4808 Fax: 800.868.0084  
equip.tsbrass.com