



T&S BRASS AND BRONZE WORKS, INC.

2 Saddleback Cove / P.O. Box 1088
Travelers Rest, SC 29690



REG. #A2601
ISO #9001

Model No.

B-0650-BSTR

Item No.

Travelers Rest, SC: 800-476-4103 Simi Valley, CA: 800-423-0150 Fax: 864-834-3518 www.tsbrass.com

This Space for Architect/Engineer Approval

Job Name _____ Date _____

Model Specified _____ Quantity _____

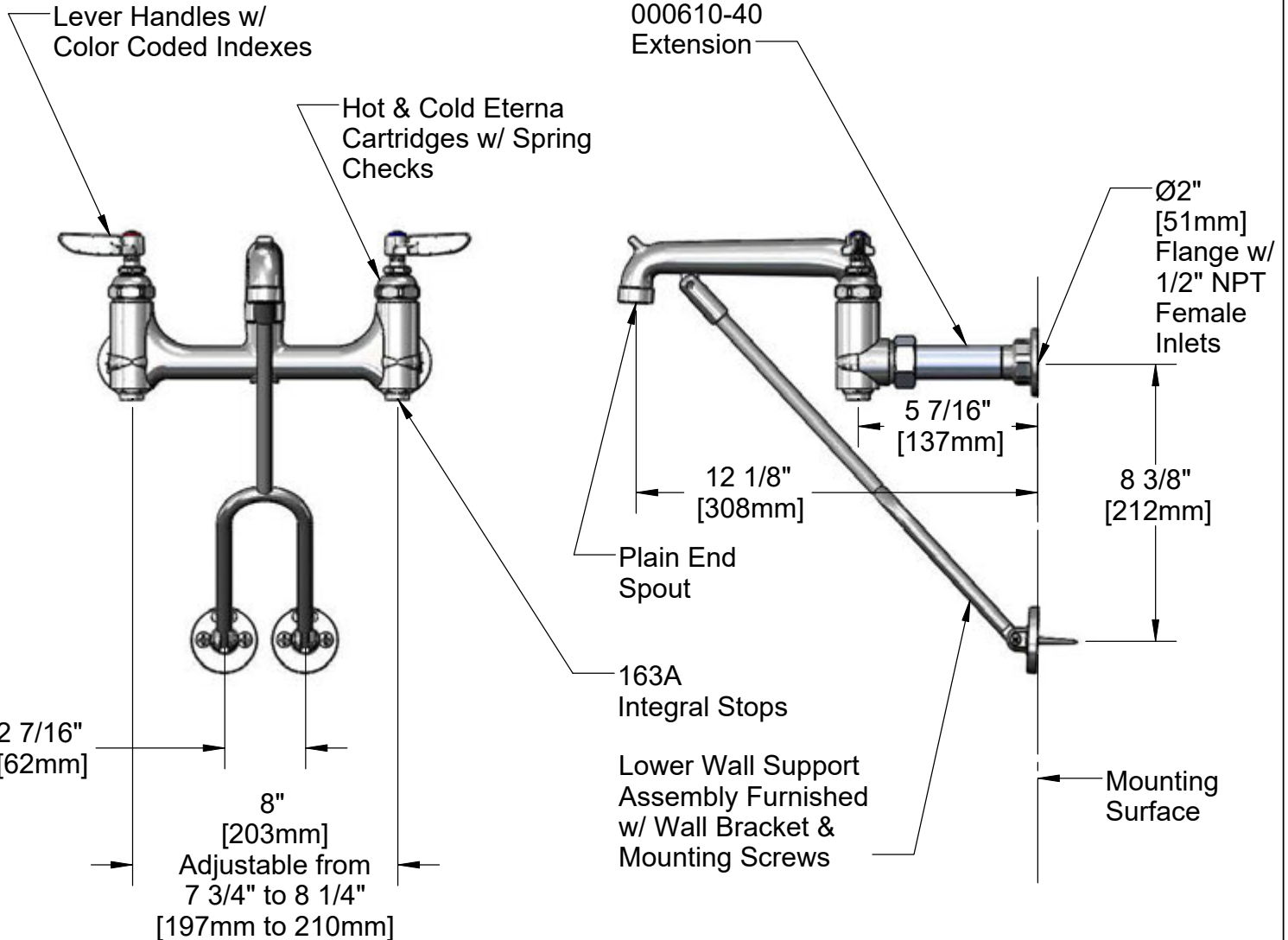
Customer/Wholesaler _____

Contractor _____

Architect/Engineer _____



ADA Compliant



Product Specifications:

8" Wall Support Service Sink, Rough Chrome Finish,
Lever Handles, Lower Support Rod, 1/2" NPT
Extended Inlets & Plain Outlet

| | | |
|----------------------|-----------------------|--------------------------|
| Drawn DHL | Checked KJG | Approved JHB |
| Scale: NTS | | Date: 08/10/10 |



T&S BRASS AND BRONZE WORKS, INC.

2 Saddleback Cove / P.O. Box 1088
Travelers Rest, SC 29690



REG. #A2601
ISO #9001

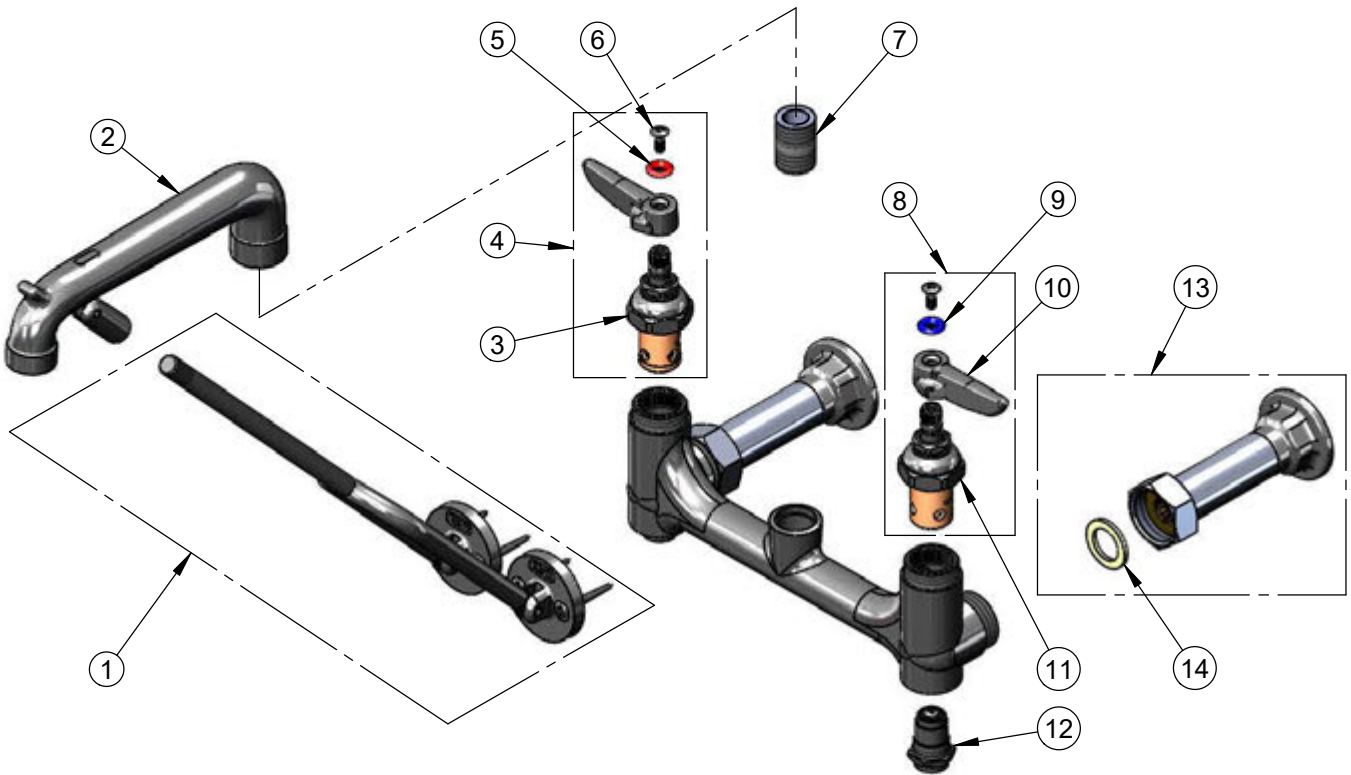
Model No.

B-0650-BSTR

Item No.

Travelers Rest, SC: 800-476-4103 Simi Valley, CA: 800-423-0150 Fax: 864-834-3518 www.tsbrass.com

| ITEM NO. | SALES NO. | DESCRIPTION |
|----------|-----------|--|
| 1 | 009616-40 | Lower Wall Support Assembly w/ Mounting Screws |
| 2 | 016844-25 | Spout Assembly Rough Chrome w/ Bottom Support Clevis |
| 3 | 012443-40 | Hot Eterna Spindle Assembly w/ Spring Check |
| 4 | 002712-40 | Hot Eterna Sindle Assembly w/ Spring Check, Handle, Index & Screw |
| 5 | 001661-45 | Red Index-HW |
| 6 | 000922-45 | Lever Handle Screw |
| 7 | 002534-25 | Close Nipple, 1/2" x 1 5/32" Lg Rough Chrome |
| 8 | 002711-40 | Cold Eterna Sindle Assembly w/ Spring Check, Handle, Index & Screw |
| 9 | 001660-45 | Blue Index-CW |
| 10 | 001638-45 | Lever Handle |
| 11 | 012442-40 | Cold Eterna Spindle Assembly w/ Spring Check |
| 12 | 163A | BST Assembly, 163A |
| 13 | B-0441 | 1/2" x 4" Extension Flange Inlet |
| 14 | 001019-45 | Coupling Nut Washer |
| 28 | | Spout, B-0650 Chrome Polished |



Product Specifications:

8" Wall Support Service Sink, Rough Chrome Finish,
Lever Handles, Lower Support Rod, 1/2" NPT
Extended Inlets & Plain Outlet

| | | |
|----------------------|-----------------------|--------------------------|
| Drawn DHL | Checked KJG | Approved JHB |
| Scale: NTS | | Date: 08/10/10 |