



T&S BRASS AND BRONZE WORKS, INC.

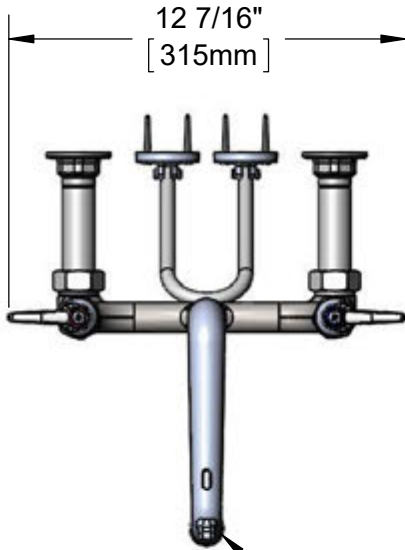
2 Saddleback Cove / P.O. Box 1088
Travelers Rest, SC 29690

Model No.

B-0650-POL

Item No.

Travelers Rest, SC: 800-476-4103 • Simi Valley, CA: 800-423-0150 • Fax: 864-834-3518 • www.tsbrass.com



ADA Compliant

This Space for Architect/Engineer Approval

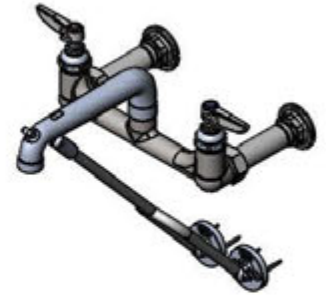
Job Name _____ Date _____

Model Specified _____ Quantity _____

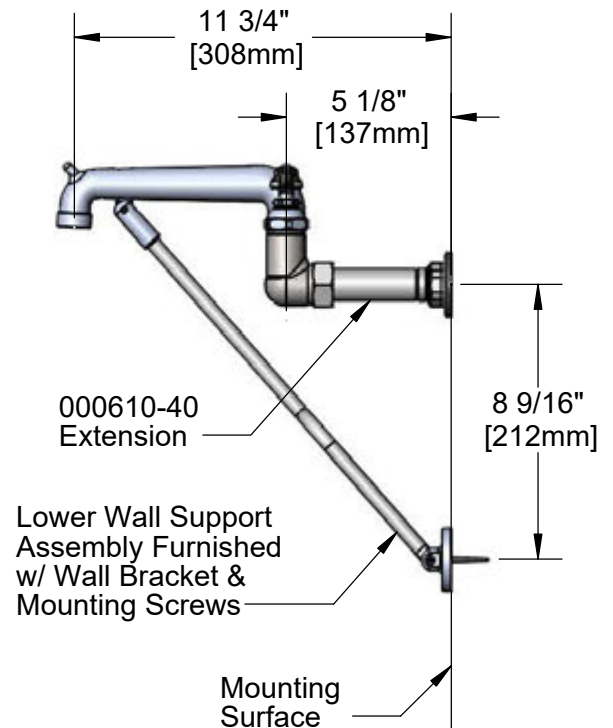
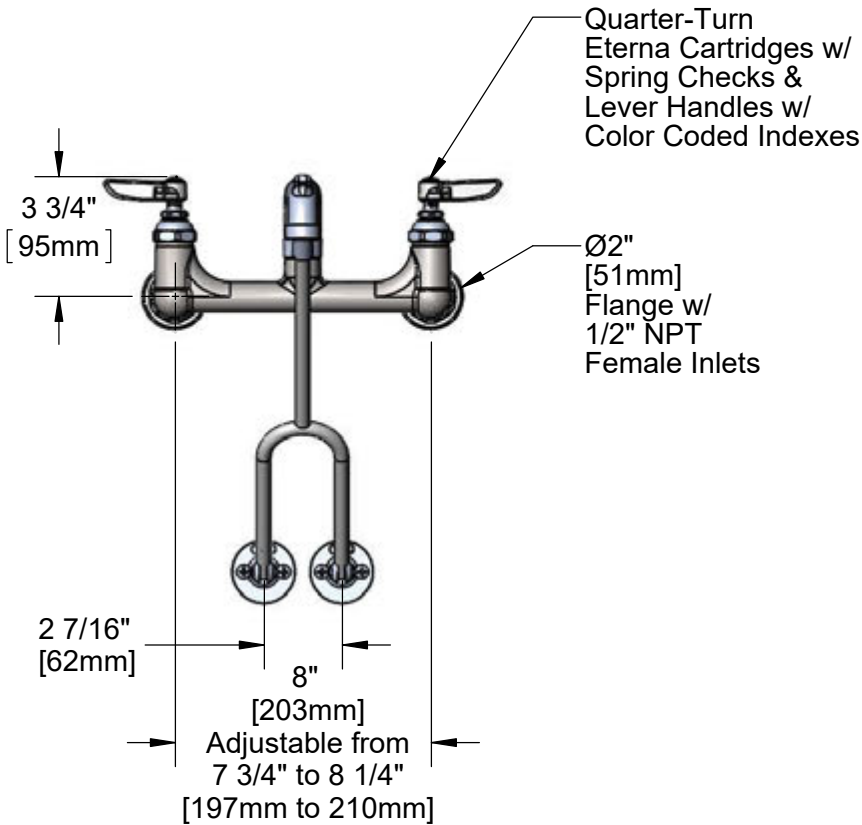
Customer/Wholesaler _____

Contractor _____

Architect/Engineer _____



Plain End Spout



Product Specifications:

8" Wall Mount Service Sink Faucet, Quarter-Turn Eterna Cartridges w/ Spring Checks, Polished Chrome Finish, Lever Handles, Lower Support Rod, 1/2" NPT Extended Inlets & Plain End Outlet

Product Compliance:

ASME A112.18.1 / CSA B125.1
NSF 61 - Section 9
NSF 372 (Low Lead Content)
ANSI A117.1 (ADA)



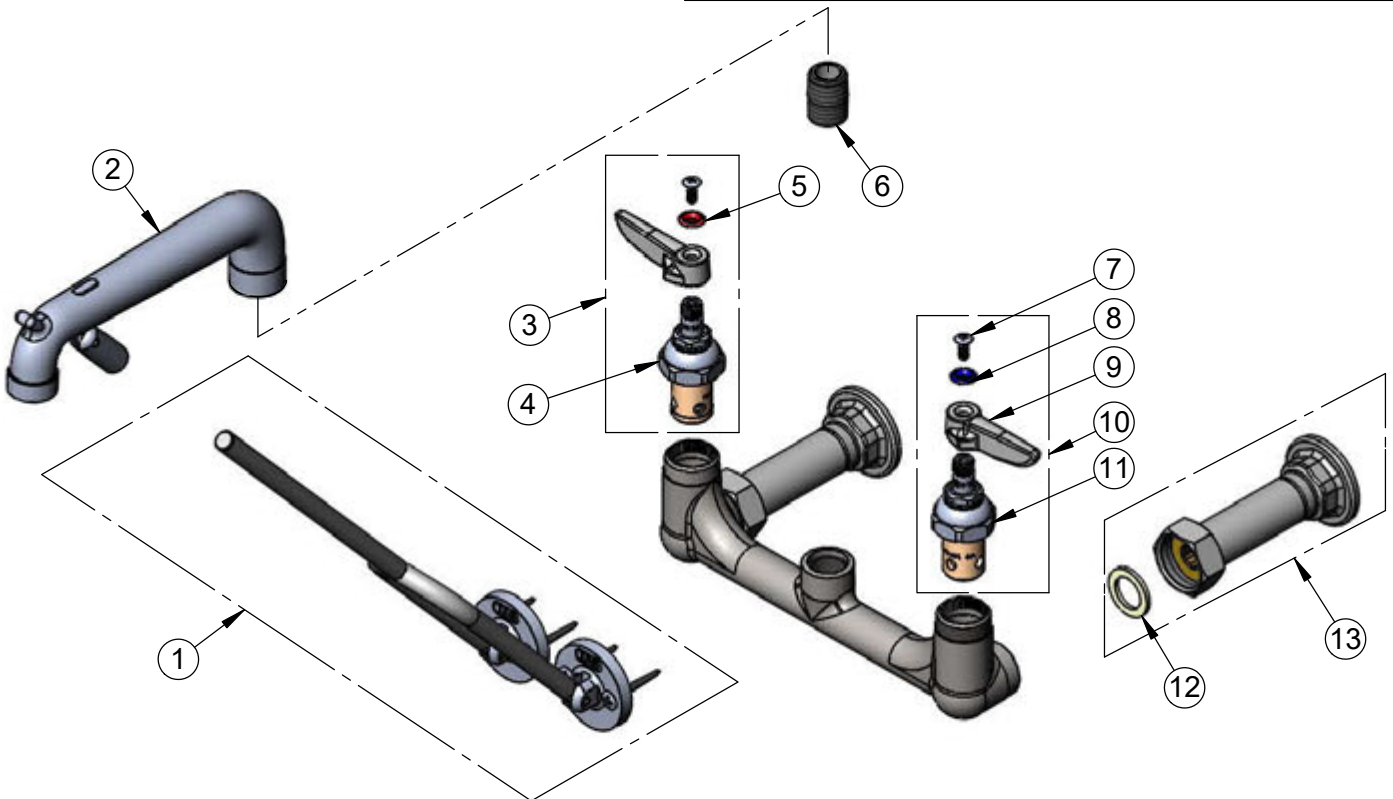
T&S BRASS AND BRONZE WORKS, INC.
 2 Saddleback Cove / P.O. Box 1088
 Travelers Rest, SC 29690

Model No.
B-0650-POL

Item No.

Travelers Rest, SC: 800-476-4103 • Simi Valley, CA: 800-423-0150 • Fax: 864-834-3518 • www.tsbrass.com

ITEM NO.	SALES NO.	DESCRIPTION
1	009616-40	Lower Wall Support Assembly w/ Mounting Screws
2	016844-40	Spout Assembly Polished Chrome w/ Bottom Support Clevis
3	002712-40	Quarter-Turn Eterna Cartridge, RTC w/ Spring Check, Handle, Index & Screw
4	012443-40	Quarter-Turn Eterna Cartridge, RTC w/ Spring Check
5	001661-45	Red Index-HW
6	002534-25	Close Nipple, 1/2" NPT
7	000922-45	Lever Handle Screw
8	001660-45	Blue Index-CW
9	001638-45	Lever Handle
10	002711-40	Quarter-Turn Eterna Cartridge, LTC w/ Spring Check, Handle, Index & Screw
11	012442-40	Quarter-Turn Eterna Cartridge, LTC w/ Spring Check
12	001019-45	Coupling Nut Washer
13	B-0441	1/2" x 4" Extension Flange Inlet



Product Specifications:
 8" Wall Mount Service Sink Faucet, Quarter-Turn Eterna Cartridges w/ Spring Checks, Polished Chrome Finish, Lever Handles, Lower Support Rod, 1/2" NPT Extended Inlets & Plain End Outlet

Product Compliance:
 ASME A112.18.1 / CSA B125.1
 NSF 61 - Section 9
 NSF 372 (Low Lead Content)
 ANSI A117.1 (ADA)