



T&S BRASS AND BRONZE WORKS, INC.

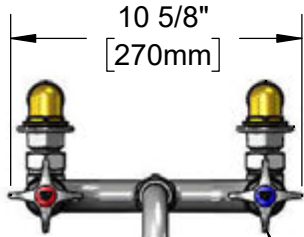
2 Saddleback Cove / P.O. Box 1088
Travelers Rest, SC 29690

Model No.

B-0292

Item No.

Travelers Rest, SC: 800-476-4103 • Simi Valley, CA: 800-423-0150 • Fax: 864-834-3518 • www.tsbrass.com



10 5/8"
[270mm]



ADA Compliant

This Space for Architect/Engineer Approval

Job Name _____ Date _____

Model Specified _____ Quantity _____

Customer/Wholesaler _____

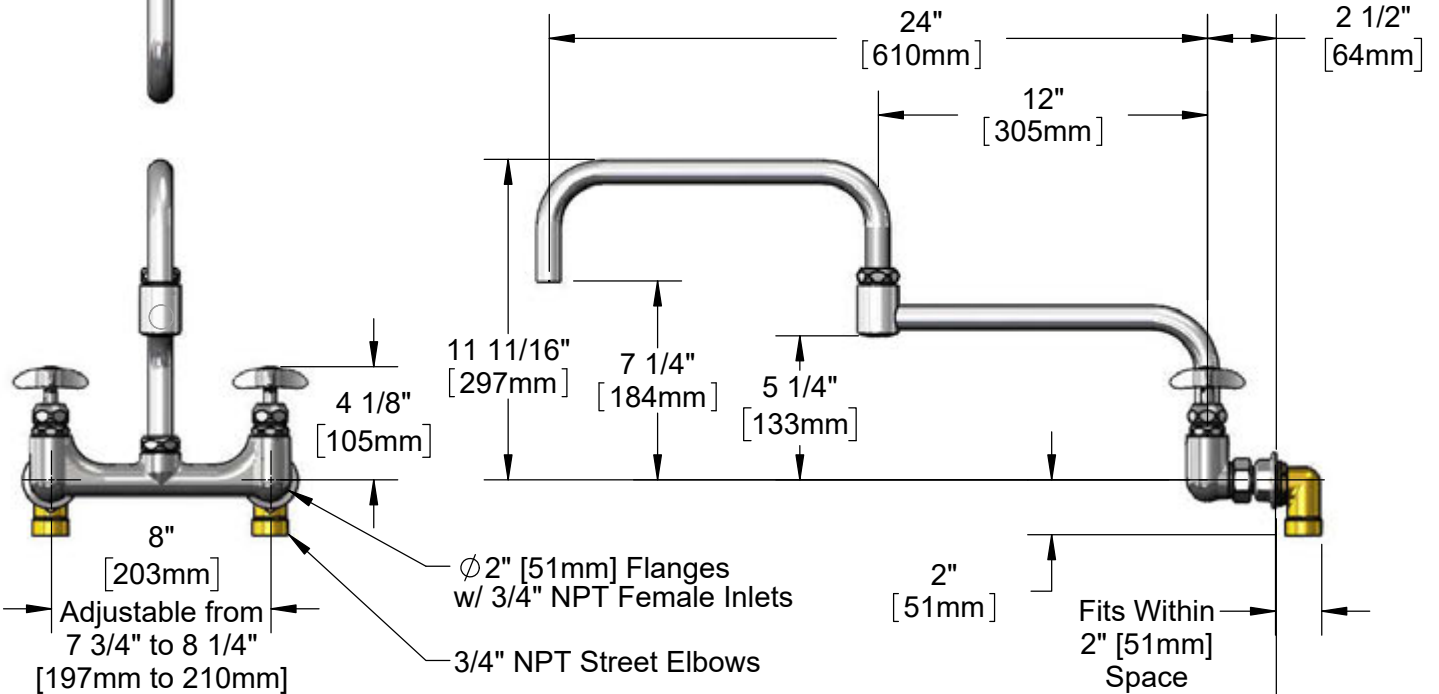
Contractor _____

Architect/Engineer _____

Big-Flo Cartridges &
4-Arm Handles w/
Color Coded Indexes



116X
24" Big-Flo Double Joint Swing
Nozzle w/ Plain End Outlet



Rough-In Requirement:
Ø 1 1/4" [32mm] Mounting Holes

Product Specifications:
8" Wall Mount Big-Flo Mixing Faucet, Big-Flo Cartridges, 4-Arm Handles,
24" Big-Flo Double Joint Swing Nozzle, & 3/4" NPT Elbow Inlets

Product Compliance:
ASME A112.18.1 / CSA B125.1
NSF 61 - Section 9
NSF 372 (Low Lead Content)
ANSI A117.1 (ADA)



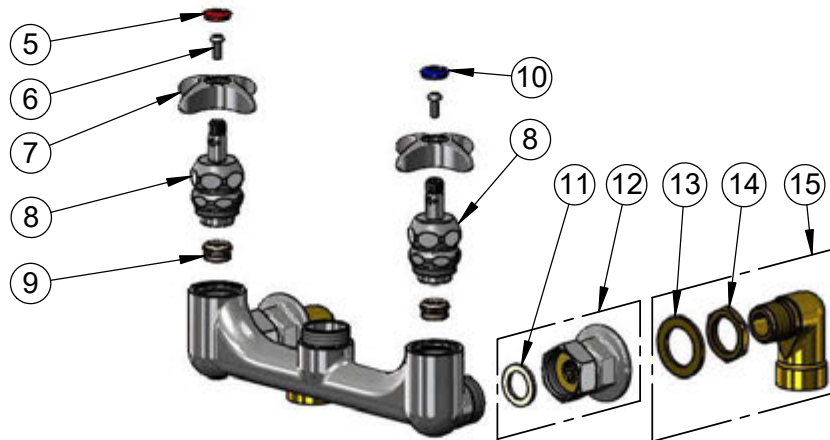
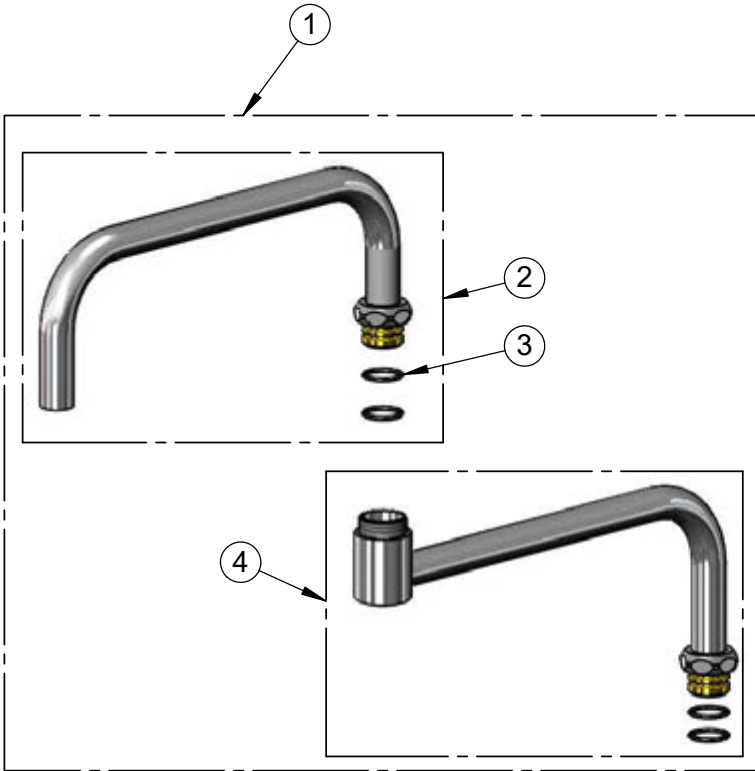
T&S BRASS AND BRONZE WORKS, INC.
 2 Saddleback Cove / P.O. Box 1088
 Travelers Rest, SC 29690

Model No.
B-0292

Item No.

Travelers Rest, SC: 800-476-4103 • Simi Valley, CA: 800-423-0150 • Fax: 864-834-3518 • www.tsbrass.com

ITEM NO.	SALES NO.	DESCRIPTION
1	116X	24" Big-Flo Double Joint Swing Nozzle
2	117X	12" Big-Flo Front Section
3	001068-45	O-ring
4	118X	12" Big-Flo Back Section
5	001193-19NS	Red Button Index, Press-in
6	000925-45	Lab Handle Screw
7	002521-45NS	4-Arm Handle (New Style)
8	006482-40NS	Big-Flo Cartridge, RTC
9	000764-20	Seat, Big-Flo
10	018506-19NS	Blue Button Index, Press-in
11	001019-45	Coupling Nut Washer
12	00BB	3/4" NPT Female Eccentric Flange
13	001005-45	Washer
14	000971-45	Lock Nut, 3/4" NPSM
15	00LL	3/4" Short Elbow Inlet



Product Specifications:
 8" Wall Mount Big-Flo Mixing Faucet, Big-Flo Cartridges, 4-Arm Handles, 24" Big-Flo Double Joint Swing Nozzle, & 3/4" NPT Elbow Inlets

Product Compliance:
 ASME A112.18.1 / CSA B125.1
 NSF 61 - Section 9
 NSF 372 (Low Lead Content)
 ANSI A117.1 (ADA)