



T&S BRASS AND BRONZE WORKS, INC.
 2 Saddleback Cove / P.O. Box 1088
 Travelers Rest, SC 29690

Model No.
B-1413

Item No.

Travelers Rest, SC: 800-476-4103 • Simi Valley, CA: 800-423-0150 • Fax: 864-834-3518 • www.tsbrass.com

This Space for Architect/Engineer Approval

Job Name _____ Date _____

Model Specified _____ Quantity _____

Customer/Wholesaler _____

Contractor _____

Architect/Engineer _____

Squeeze Valve
w/ Quick
Disconnect Socket

Hook Nozzle
w/ Quick
Disconnect Plug

68" Flexible
Stainless Steel Hose



3 1/2"
[89mm]

8 5/16"
[211mm]

1/2" NPT
Male Inlet

68"
[1727mm]

Product Specifications:

68" Flexible Stainless Steel Hose w/ Automatic Shut-Off Squeeze Valve,
Hook Nozzle, 2 Piece Quick Disconnect & 1/2" NPT Male Inlet

Product Compliance:

ASME A112.18.1 / CSA B125.1
 NSF 61 - Section 9
 NSF 372 (Low Lead Content)
 2019 DOE PRSV Non-Compliant



T&S BRASS AND BRONZE WORKS, INC.

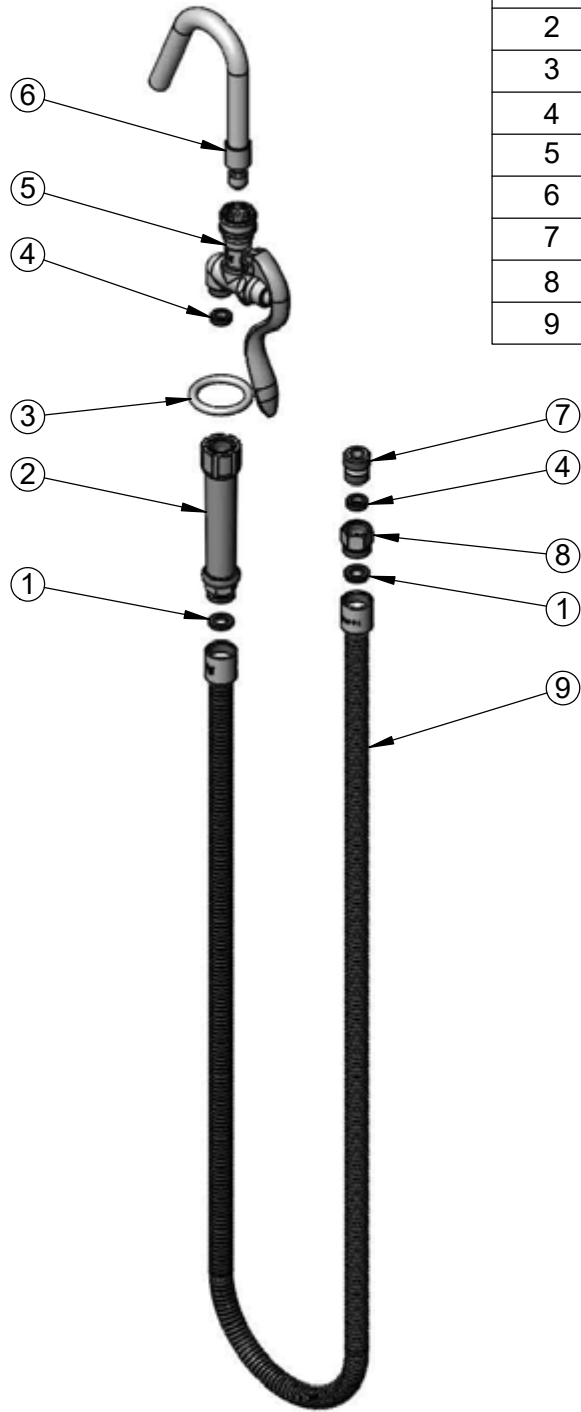
2 Saddleback Cove / P.O. Box 1088
Travelers Rest, SC 29690

Model No.

B-1413

Item No.

Travelers Rest, SC: 800-476-4103 • Simi Valley, CA: 800-423-0150 • Fax: 864-834-3518 • www.tsbrass.com



ITEM NO.	SALES NO.	DESCRIPTION
1	001014-45	Washer, B-0100 Hose Barrel
2	002987-40	Gray Handle Grip
3	000907-45	Spray Valve Hold Down Ring
4	010476-45	#27 Washer
5	B-1420	Squeeze Valve w/ Quick Disconnect Socket
6	B-1424	Hook Nozzle w/ Quick Disconnect Plug
7	055A	Adapter, 1/2 NPT Male
8	000729-40	Nut, 7/8-20 Male x 3/4-14 Female
9	B-0068-H2A	68" Stainless Steel Flex Hose, Less Handle

Product Specifications:

68" Flexible Stainless Steel Hose w/ Automatic Shut-Off Squeeze Valve, Hook Nozzle, 2 Piece Quick Disconnect & 1/2" NPT Male Inlet

Product Compliance:

ASME A112.18.1 / CSA B125.1
NSF 61 - Section 9
NSF 372 (Low Lead Content)
2019 DOE PRSV Non-Compliant