



# T&S BRASS AND BRONZE WORKS, INC.

2 Saddleback Cove / P.O. Box 1088  
Travelers Rest, SC 29690

Model No.

**B-0658**

Item No.

Travelers Rest, SC: 800-476-4103 • Simi Valley, CA: 800-423-0150 • Fax: 864-834-3518 • www.tsbrass.com



**ADA Compliant**

This Space for Architect/Engineer Approval

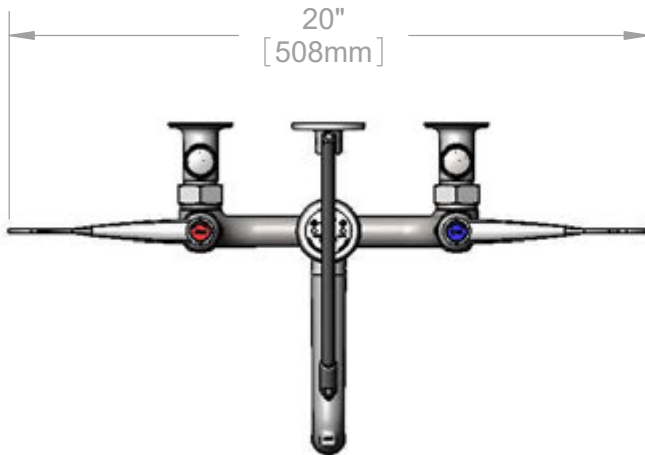
Job Name \_\_\_\_\_ Date \_\_\_\_\_

Model Specified \_\_\_\_\_ Quantity \_\_\_\_\_

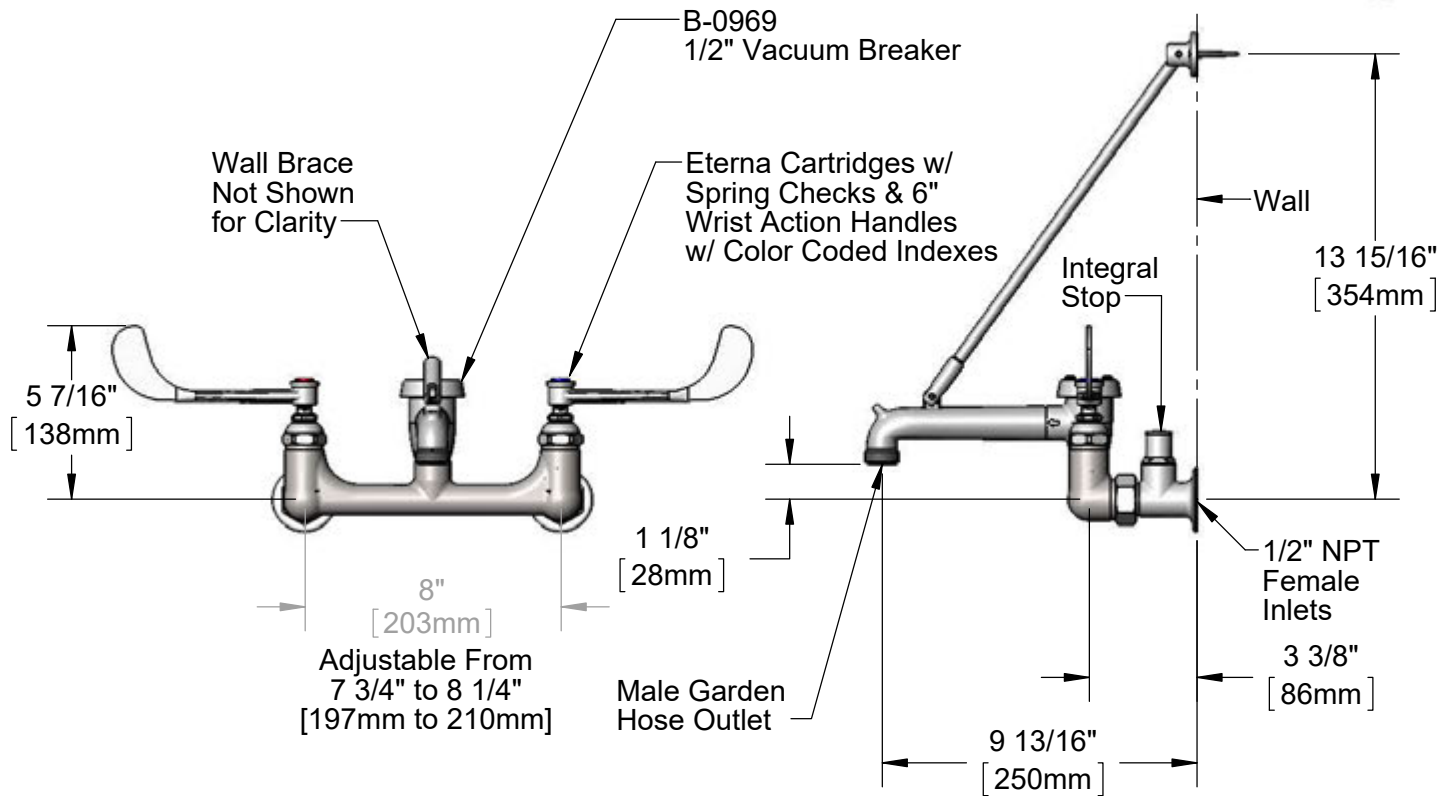
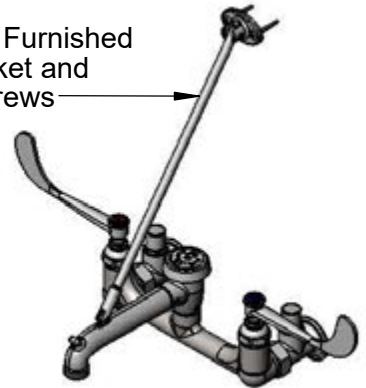
Customer/Wholesaler \_\_\_\_\_

Contractor \_\_\_\_\_

Architect/Engineer \_\_\_\_\_



Support Rod Furnished  
w/ Wall Bracket and  
Mounting Screws



**Product Specifications:**

8" Wall Mount Service Sink Faucet, Eterna Cartridges w/ Spring Checks, 6" Wrist Action Handles, Upper Support Rod, Male Garden Hose Outlet, Polished Chrome Finish, Integral Stops, 1/2" NPT Vacuum Breaker & 1/2" NPT Female Inlets

**Product Compliance:**

ASME A112.18.1 / CSA B125.1  
NSF 61 - Section 9  
NSF 372 (Low Lead Content)  
ANSI A117.1 (ADA)  
ASSE 1001 (VB)

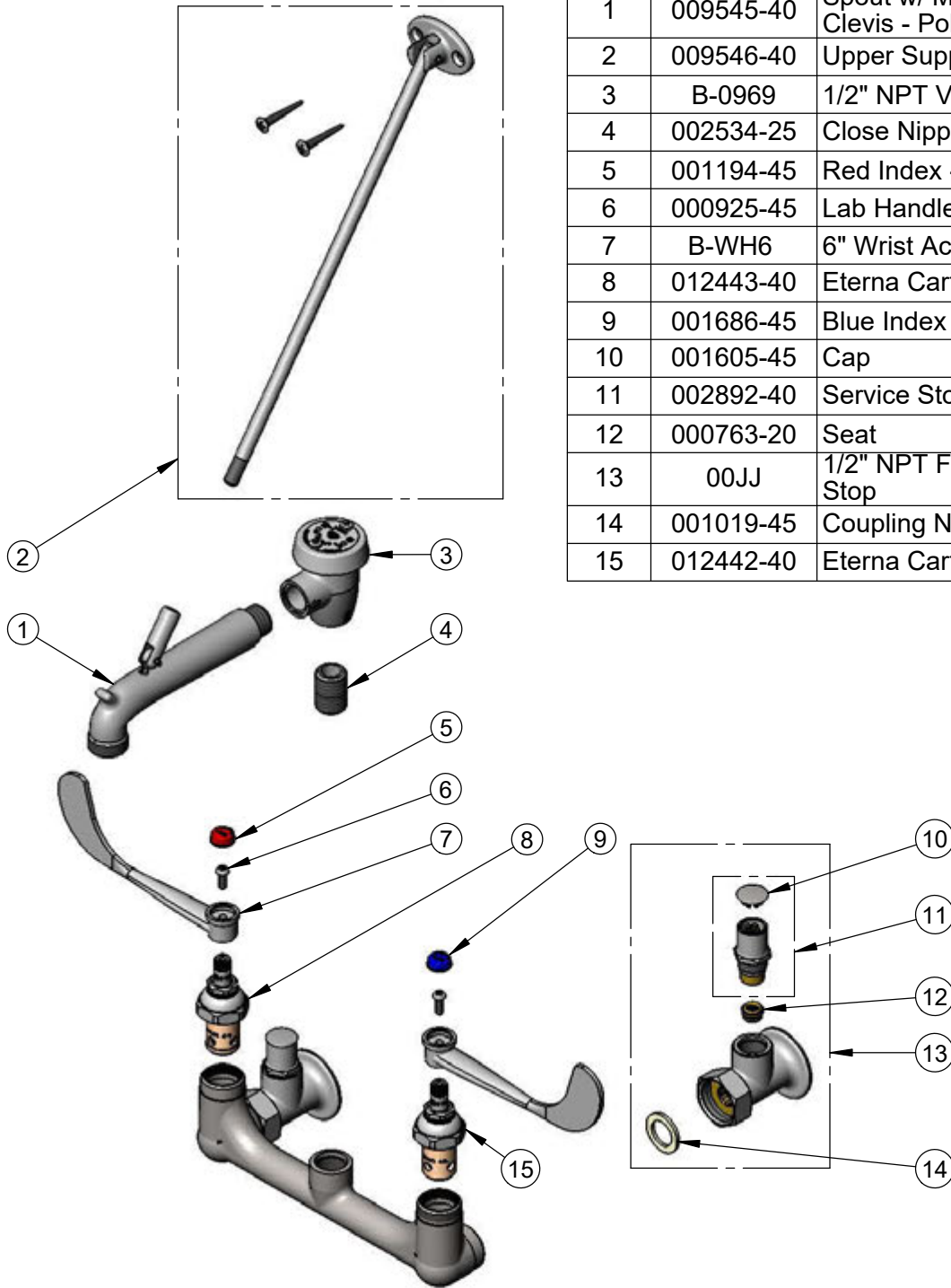


**T&S BRASS AND BRONZE WORKS, INC.**  
 2 Saddleback Cove / P.O. Box 1088  
 Travelers Rest, SC 29690

Model No.  
**B-0658**  
 Item No.

Travelers Rest, SC: 800-476-4103 • Simi Valley, CA: 800-423-0150 • Fax: 864-834-3518 • www.tsbrass.com

ITEM NO.	SALES NO.	DESCRIPTION
1	009545-40	Spout w/ Male GH Outlet & Upper Clevis - Polished Chrome
2	009546-40	Upper Support Rod
3	B-0969	1/2" NPT Vacuum Breaker
4	002534-25	Close Nipple, 1/2" NPT
5	001194-45	Red Index - HW
6	000925-45	Lab Handle Screw
7	B-WH6	6" Wrist Action Handle
8	012443-40	Eterna Cartridge, RTC w/ Spring Check
9	001686-45	Blue Index - CW
10	001605-45	Cap
11	002892-40	Service Stop Spindle w/ Cap
12	000763-20	Seat
13	00JJ	1/2" NPT Female Inlet w/ Loose Key Stop
14	001019-45	Coupling Nut Washer
15	012442-40	Eterna Cartridge, LTC w/ Spring Check



**Product Specifications:**  
 8" Wall Mount Service Sink Faucet, Eterna Cartridges w/ Spring Checks, 6" Wrist Action Handles, Upper Support Rod, Male Garden Hose Outlet, Polished Chrome Finish, Integral Stops, 1/2" NPT Vacuum Breaker & 1/2" NPT Female Inlets

**Product Compliance:**  
 ASME A112.18.1 / CSA B125.1  
 NSF 61 - Section 9  
 NSF 372 (Low Lead Content)  
 ANSI A117.1 (ADA)  
 ASSE 1001 (VB)